

Промышленные материнские платы формата mini-ITX серии AIMB-200

ТЕХНИЧЕСКИЕ ХАРАКТЕРИСТИКИ

По вопросам продаж и поддержки обращайтесь:

Архангельск (8182)63-90-72
Астана +7(7172)727-132
Белгород (4722)40-23-64
Брянск (4832)59-03-52
Владивосток (423)249-28-31
Волгоград (844)278-03-48
Вологда (8172)26-41-59
Воронеж (473)204-51-73
Екатеринбург (343)384-55-89
Иваново (4932)77-34-06
Ижевск (3412)26-03-58
Казань (843)206-01-48

Калининград (4012)72-03-81
Калуга (4842)92-23-67
Кемерово (3842)65-04-62
Киров (8332)68-02-04
Краснодар (861)203-40-90
Красноярск (391)204-63-61
Курск (4712)77-13-04
Липецк (4742)52-20-81
Магнитогорск (3519)55-03-13
Москва (495)268-04-70
Мурманск (8152)59-64-93
Набережные Челны (8552)20-53-41

Нижний Новгород (831)429-08-12
Новокузнецк (3843)20-46-81
Новосибирск (383)227-86-73
Орел (4862)44-53-42
Оренбург (3532)37-68-04
Пенза (8412)22-31-16
Пермь (342)205-81-47
Ростов-на-Дону (863)308-18-15
Рязань (4912)46-61-64
Самара (846)206-03-16
Санкт-Петербург (812)309-46-40
Саратов (845)249-38-78

Смоленск (4812)29-41-54
Сочи (862)225-72-31
Ставрополь (8652)20-65-13
Тверь (4822)63-31-35
Томск (3822)98-41-53
Тула (4872)74-02-29
Тюмень (3452)66-21-18
Ульяновск (8422)24-23-59
Уфа (347)229-48-12
Челябинск (351)202-03-61
Череповец (8202)49-02-64
Ярославль (4852)69-52-93

AIMB-221

AMD Turion™ and Sempron™ Mini-ITX with VGA/LVDS/HDMI, 6 COM, and Dual LAN



Features

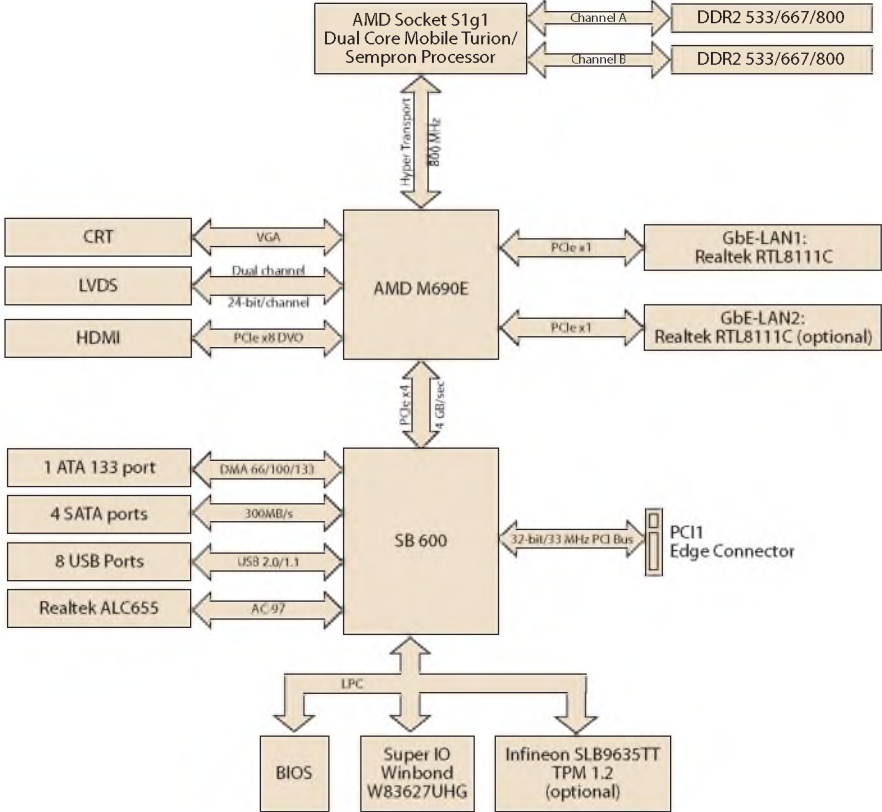
- Supports AMD Turion™ 64 X2 and Sempron™ mobile processor-AMD M690E and SB600
- Two 200-pin SODIMMs, up to 4 GB DDR2 533/667/800 SDRAM
- Supports dual display for VGA, HDMI, LVDS
- Supports 6 serial ports and 4 SATA 2.0 ports
- Supports TPM (optional)
- Supports software RAID 0 and 1



Specifications

Processor System	CPU (65 nm S1g1)	AMD Turion 64 X2 TL-62	AMD Turion 64 X2 TL-56	AMD Sempron 3700+	AMD Sempron 2100+
	Max. Speed	2.1 GHz (dual core)	1.8 GHz (dual core)	2.0 GHz	1.0 GHz
	Hyper Transport Speed	800 MHz	800 MHz	800 MHz	800 MHz
	L2 Cache	1 MB	1 MB	512 KB	256 KB
	Chipset	AMD M690E and SB 600			
Expansion Slot	BIOS	Award 4 Mbit via LPC			
	PCI	32-bit/33 MHz, 1 slot			
	Mini-PCI	32-bit/33 MHz, 1 slot			
	PCIe	-			
Memory	Technology	Dual channel DDR2 533/667/800 MHz			
	Max. Capacity	4 GB			
	Socket	2 x 200-pin SODIMMs			
Graphics	Controller	AMD M690E Integrated ATI Radeon X1250-based graphic engine			
	VRAM	Share system memory up to 512 MB video memory			
	LVDS	Single channel 18/24-bit Dual channel 36/48-bit LVDS			
	HDMI	Supports HDMI 1.2, 1650 Mbps/channel with 165 MHz			
	DVI	-			
Ethernet	Dual Display	CRT + LVDS, CRT + HDMI, HDMI + LVDS			
	Interface	10/100/1000 Mbps			
	Controller	GbE LAN1: Realtek RTL8111C; GbE LAN2: Realtek RTL8111C			
SATA	Connector	RJ-45 x 2			
	Max Data Transfer Rate	300 MB/s			
EIDE	Channel	4 (supports software RAID 0 and 1)			
	Mode	EIDE (Ultra DMA 133)			
SSD	Channel	1			
	CompactFlash	Supports CompactFlash Type I/II			
Rear I/O	VGA	1			
	HDMI	1			
	Ethernet	2			
	USB	4 (USB 2.0 compliant)			
	Audio	3 (Mic-in, Line-out, Line-in)			
	Serial	2 (COM 1: RS-232; COM 2: RS-232/422/485)			
	PS/2	2 (1 x keyboard and 1 x mouse)			
Internal Connector	LVDS	1			
	DVI	-			
	USB	4 (USB 2.0 compliant)			
	Serial	4 (RS-232)			
	IDE	1			
	SATA	4			
	CompactFlash	1			
	Parallel	1			
	IrDA	-			
	FDD	-			
Watchdog Timer	DIO	8-bit General Purpose I/O for DI and DO			
	Output	System reset			
Power Requirement	Interval	Programmable 1 ~ 255 sec/min			
	Power On	Turion 64 X2 TL-62 2.1GHz HT 800 MHz, 4GB DDR2 SDRAM			
Environment		+5 V	+3.3 V	+12 V	
		3.45 A	0.72 A	2.45 A	
Physical Characteristics	Operating	Non-Operating			
	Temperature	0 ~ 60° C (32 ~ 140° F)			-20 ~ 70° C (-4 ~ 158° F)
	Dimensions	170 mm x 170 mm (6.69" x 6.69")			

Board Diagram



Ordering Information

Part Number	GbE	Mini PCI	CF	COM
AIMB-221G2-00A1E	2	1	1	6

Riser Card

Part Number	Description
AIMB-RP30P-03A1E	2U riser card with 3 PCI slot expansion

Bracket View



AIMB-221G2-00A1E

Packing List

Description	Quantity
AIMB-221 SBC	x 1
IDE HDD cable (40-pin)	x 1
SATA HDD data cable	x 2
SATA HDD power cable	x 2
CPU cooler	x 1
I/O port bracket	x 1
Startup manual	x 1
Driver CD	x 1

Accessories

Part Number	Description
1700003195	USB cable with two ports, 17.5 cm
1700002204	USB cable with two ports, 27 cm
1700002314	USB cable with four ports, 30.5 cm
1701400181	IDC 40P/4 com cable, 18 cm
1700000821	DVI cable 24P/DF13-20P w/ bracket
1700001577	DVI cable 24P/DF13-20P 20 cm w/o bracket
1700008809	Printer port cable, 25 cm, w/ bracket

AIMB-231

Intel® Core™ i5-5350U/i3-5010U Mini-ITX with LVDS(eDP)/DP(HDMI)/ DP++, 2 COM, and Dual LAN

NEW



Features

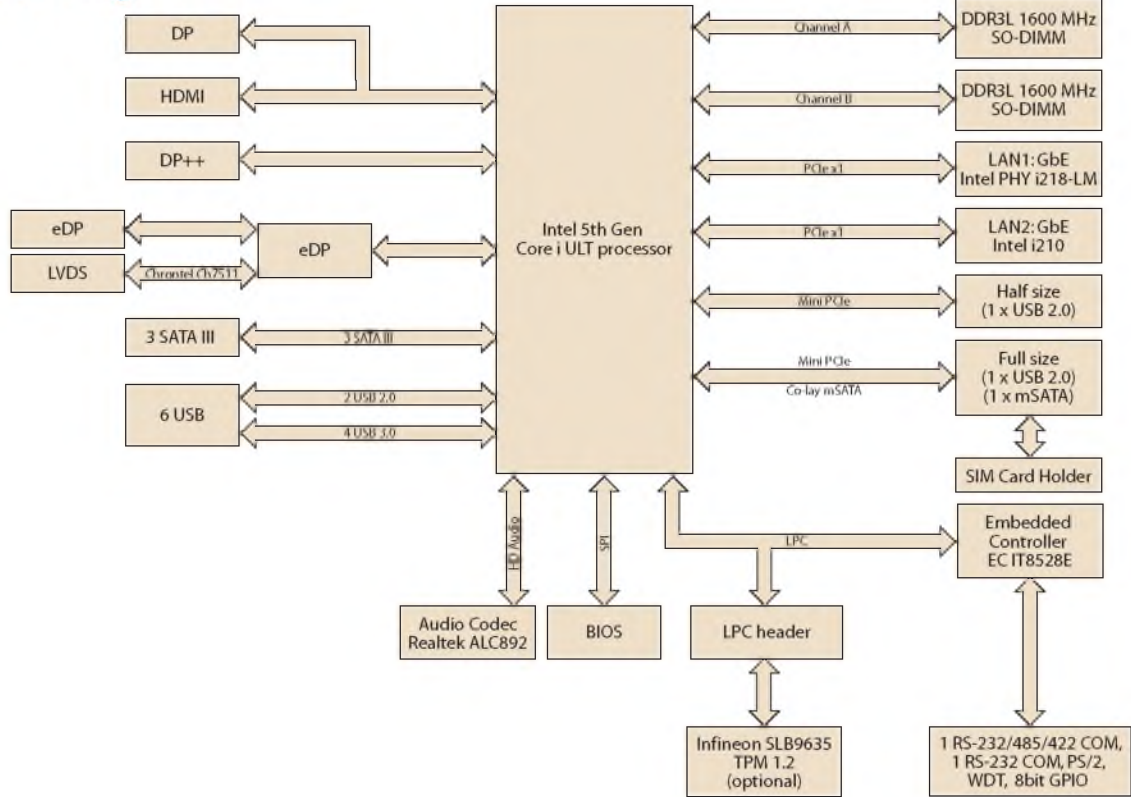
- Intel® Core™ i5-5350U/i3-5010U processor (Dual core), 15W TDP, BGA 1168 (MCP) 14nm Processor
- Two 204-pin SO-DIMM up to 16 GB DDR3L 1600 MHz SDRAM
- Multiple display I/O supports versatile Tri display functions for eDP/LVDS, DP/HDMI, and DP++
- Realtek ALC892 supports 7.1 + 2 channel HD audio
- Dual Intel i218/i210 Gigabit LAN
- 1 Full-sized Mini-PCIe, 1 Half-sized Mini-PCIe, 1 SIM Card Holder
- 2 COM, 3 SATA III, 1 mSATA
- 4 USB 3.0, 2 USB 2.0



Specifications

		Intel Core i5-5350U	Intel Core i3-5010U
Processor System	CPU	Intel Core i5-5350U	Intel Core i3-5010U
	Max. Speed	1.8 GHz	2.1GHz
	L3 Cache	3M	
	Chipset	5th Generation Intel® Core™ ULT + Wildcat Point LP	
Expansion Slot	Full-size Mini-PCIe	1, Supports 1 x USB 2.0 and co-lay 1 x mSATA with SIM card holder	
	Half-size Mini-PCIe	1, Supports 1 x USB 2.0	
Memory	Technology	Dual Channel DDR3L 1600 MHz	
	Max. Capacity	16 GB/8 GB per SO-DIMM	
	Socket	2 x 204-pin SO-DIMM (Non-ECC)	
Graphics	Controller	Intel® HD Graphics 6000	Intel® HD Graphics 5500
	LVDS+Inverter / eDP	Supports DirectX 11.1, OpenGL 4.2, OpenCL 1.3, Full AVC, VC1, MPEG2 H/W encoder	
	DP/HDMI	Supports dual channel 48-bit up to 1920 x 1200, co-lay eDP	
	DP++	1, Supports HDMI 1.4 for HD Video playback Max resolution up to 3840 x 2160 at 60 Hz on DisplayPort, 4096 x 2304 at 24 Hz on HDMI (default HDMI)	
	Dual Display	1, DP++ connector, available with DP-to-DVI (HDMI) cable (no transmitter) to connector to normal LCD monitor	
	Tri Display	LVDS(or eDP)+DP, LVDS(or eDP)+HDMI, LVDS(or eDP)+DP++, DP +DP++, HDMI+ DP++	
	Dual Display Mode	DP++ + HDMI +LVDS(or eDP), DP++ + DP +LVDS(or eDP) Extended Mode, Clone Mode	
Ethernet	Interface	10/100/1000 Mbps	
	Controller	LAN1: Intel PHY i218-LM (support AMT 10.0) LAN2: Intel i210	
	Connector	RJ-45 x 2	
SATA	Max Data Transfer Rate	600 MB/s (SATA 3.0)/mSATA	
	Channel	3 / 1	
Rear I/O	S/W RAID	0, 1, 5	
	DP/HDMI	1 / 1	
	DP++	1	
	Ethernet	2	
	USB	4 x USB 3.0	
	Audio	2 single audio jack for Line-Out (Green), Mic-In (Red)	
Internal Connector	DC Jack	DC 12V Jack, single power	
	LVDS & Inverter	1	
	eDP	1, by BOM optional	
	LVDS Inverter	1 (5 pin support 5V and 12V)	
	LVDS Connector	1 (3.3V / 5V / 12V) by jumper selected	
	USB	2 ports USB 2.0 with 2.0mm pin-header	
	Serial	COM 1: RS-232/422/485 supports +5V, +12V(without H/W auto flow control) COM 2: RS-232	
	SATA	4 (3 x SATA 3.0, 1 x mSATA)	
	SATA Power	3	
	PS/2 K/B & M/S	Supports PS/2 K/S/M/S with 5-pin wafer	
	CPU/System/Chassis Fan Connector	1 CPU fan with 4-pin wafer 1 System fan with 4-pin wafer	
	Power Connector	4-pin ATX, DC12V	
GPIO	8-bit (4-bit DI and 4-bit DO)		
Watchdog Timer	Output	System reset	
	Interval	Programmable 1 ~ 255 sec/min	
Power Requirement	Power Type	Single voltage 12 V DC input, 1 x External DC jack, 1 x Internal 4-pin (2 x 2) power connector, Supports AT/ATX mode	
	Power Consumption (Max, test in HCT)	i5-5350U, 3.5" SATA HDD x1 + 8G RAM x 2 12V 5.57(A)	i3-5010U, 3.5" SATA HDD x1 + 8G RAM x 2 12V 3.05(A)
Environment	Temperature	Operating 0 ~ 60° C (32 ~ 140° F), depends on CPU speed and cooler solution	Non-Operating -20 ~ 70° C (-4 ~ 158° F)
	Physical Characteristics	Dimensions	170 x 170 mm (6.69" x 6.69")

Block Diagram



Ordering Information

Order Number	CPU	Display	GbE	TPM	Storage	USB	PCle / PCI	AMP
AIMB-231G2-U5A1E	i5-5350U	DP/HDMI, DP++,	2	(1)	3 x SATA III	4 x USB 3.0	1 x Full-size Mini-PCle	(1)
AIMB-231G2-U3A1E	i3-5010U	LVDS/eDP			1 x mSATA	2 x USB 2.0	1 x Half-size Mini-PCle	

*(1) BOM options available on MP version.

Order Number	CPU	Display	GbE	COM	USB	Audio	Remark
AIMB-T12315-00Y1E	i5-5350U	DP/HDMI, DP++	2	2	4 x USB 3.0	Line Out	Barebone, with thermal module
AIMB-T12313-00Y1E	i3-5010U				2 x USB 2.0	Mic-In	

Packing List

Part Number	Description	Quantity
1700003194	SATA HDD cable	2
1700018785	SATA Power cable	2
2006A23110	Startup manual	1
1960062823N011	Fanless Heat Sink	1
19Z0000845T000	IO BRACKET FOR AIMB-231	1

Optional Accessories

Part Number	Description
1757003064	ADAPTER AC100-240V 84W +12V/7A (FSP)
1757003995	ADAPTER AC100-240V 60W +12V/5A (FSP)
1700001524	Power cable 3-pin 180 cm, USA type
170203183C	Power cable 3-pin 180 cm, Europe type
170203180A	Power cable 3-pin 180 cm, UK type
1700008921	Power cable 3-pin PSE Mark 183 cm
1960061914N021	Fan Cooler for 15W 60(W) x 60(L) x 26.5(H)mm

I/O View



Fanless Heat Sink



Fan Cooler

AIMB-252

Intel® Pentium® M/Celeron® M Mini-ITX
with Dual LVDS, 5 COM, and Dual LAN



Features

- Supports Intel® socket 478 Pentium® M/Celeron® M CPU
- Intel 910GML/915GME and ICH6M
- Two DIMM sockets support up to 2 GB DDR2 400/533 SDRAM
- Supports Dual LVDS Display (optional)
- Supports Dual GbE LAN
- Five serial ports
- Two SATA, eight USB 2.0 ports

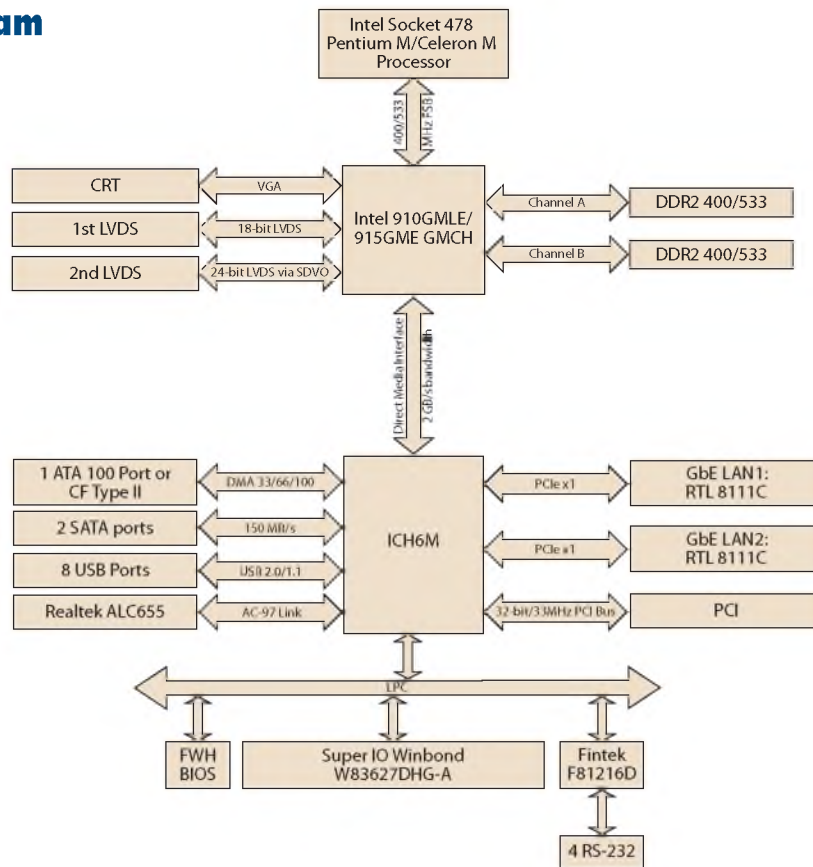


Specifications

Processor System	CPU (130/90 nm, µFC-PGA 478)	Intel Pentium M	Intel Celeron M	Intel ULV Celeron M	Intel ULV Celeron M
	Max. Speed	760 2.0 GHz	370 1.5 GHz	600 MHz on board	1 GHz on board
	Front Side Bus	400/533 MHz	400 MHz	400 MHz	400 MHz
	L2 Cache	2 MB	1 MB	512 KB	0 KB
	Chipset	Intel 910GML*/915GME + ICH6M			
	BIOS	Award 4 Mbit, FWH			
	PCI	32-bit/33 MHz, 1 slot			
Expansion Slot	Mini-PCI	-			
	PCIe	-			
Memory	Technology	Dual channel DDR2 400/533 MHz			
	Max. Capacity	2 GB			
	Socket	2 x 240-pin DIMM			
Graphics	Controller	Intel 910GML/915GME GMCH integrated Graphics Media Accelerator 900			
	VRAM	Intel DVMT 3.0 supports up to 128 MB video memory			
	1st LVDS	Single channel 18-bit/Dual channel 36-bit LVDS			
	2nd LVDS (optional)	Single channel 18/24-bit/Dual channel 36/48-bit LVDS, via Chronitel 7308B SDVO transmitter			
	DVI	None			
	Dual Display	CRT + LVDS, LVDS + LVDS			
Ethernet	Interface	10/100/1000 Mbps			
	Controller	GbE LAN1: Realtek RTL8111C; GbE LAN2: Realtek RTL8111C			
	Connector	RJ-45 x 2			
SATA	Max Data Transfer Rate	150 MB/s			
	Channel	2			
EIDE	Mode	EIDE (Ultra DMA 100)			
	Channel	1			
SSD	CompactFlash	Supports CompactFlash Type I/II			
	VGA	1			
Rear I/O	Ethernet	1 (for VG version); 2 (for G2 version)			
	USB	4 (USB 2.0 compliant)			
	Audio	3 (Mic-in, Line-out, Line-in)			
	Serial	1 (RS-232/422/485)			
	Parallel	1			
	PS/2	2 (1 x keyboard and 1 x mouse)			
	LVDS & Inverter	1			
Internal Connector	USB	4 (USB 2.0 compliant)			
	Serial	4 (RS-232)			
	IDE	1			
	SATA	2			
	CompactFlash	1			
	IrDA	-			
	DIO	16-bit GPIO			
Watchdog Timer	Output	System reset			
	Interval	Programmable 1 – 255 sec/min			
Power Requirement	Power On	Intel 915GME and Pentium M 760 2.0 GHz FSB 533 MHz, 2 GB DDR2 SDRAM			
		+5 V 2.61 A	+3.3 V 0.71 A	+12 V 1.93 A	+5 VSB 0.59 A
Environment	Operating	Non-Operating			
	Temperature	0 ~ 60° C (32 ~ 140° F)		-20 ~ 70° C (-4 ~ 158° F)	
Physical Characteristics	Dimensions	170 mm x 170 mm (6.69" x 6.69")			

* Intel 910GML only supports FSB 400 processor and DDR2 400 SDRAM

Board Diagram



Ordering Information

Part Number	CPU	Chipset	DDR2	GbE	COM	LVDS
AIMB-252VG-M0A1E	ULV Celeron M 600 MHz	910GML	400	1	5	1
AIMB-252VG-S0A1E	ULV Celeron M 1 GHz	910GML	400	1	5	1
AIMB-252G2-00A1E	-	915GME	400/533	2	5	1

Riser Card

Part Number	Description
AIMB-RP30P-03A1E	2U riser card with 3 PCI slot expansion

Bracket View



AIMB-252VG-M0A1E
AIMB-252VG-S0A1E



AIMB-252G2-00A1E

Packing List

Description	Quantity
AIMB-252 SBC	x 1
IDE HDD cable (40-pin)	x 1
SATA HDD cable	x 2
SATA power cable	x 2
Serial port cable 1-to-2	x 2
CPU cooler	x 1
I/O port bracket	x 1
Startup manual	x 1
Driver CD	x 1

Accessories

Part Number	Description
1700003195	USB cable with two ports, 17.5 cm
1700002204	USB cable with two ports, 27 cm
1700002314	USB cable with four ports, 30.5 cm

AIMB-256

Intel® Core™ 2 Duo Mini-ITX with
VGA/DVI/LVDS, 4 COM and Dual LAN



Features

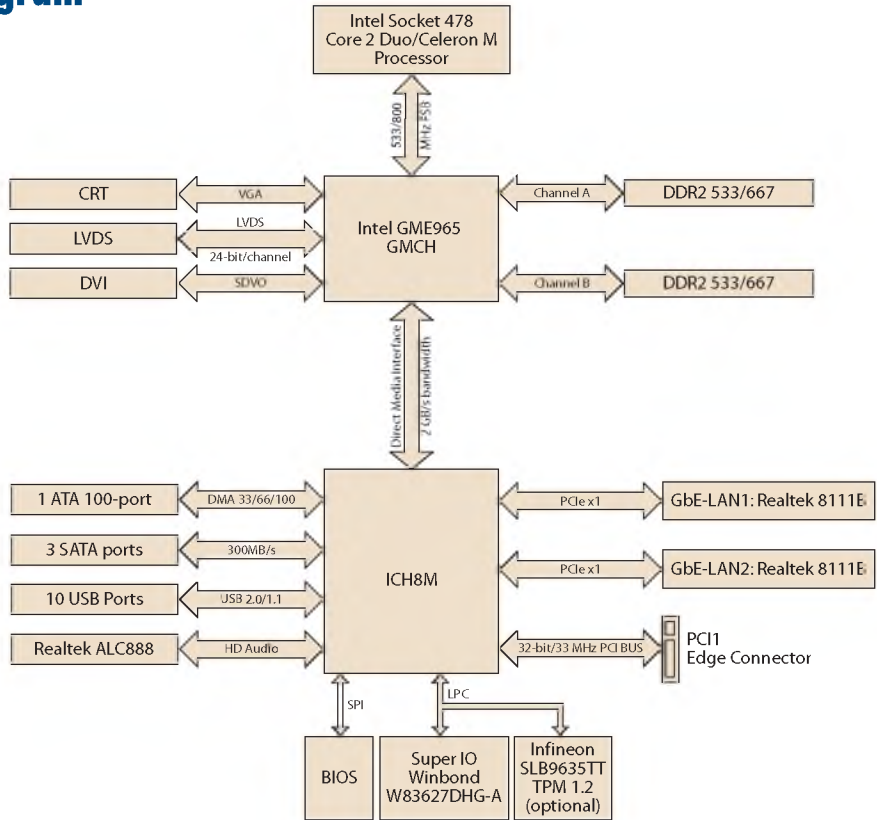
- Supports Intel® uFC-PGA 478 Core™ 2 Duo/Celeron® M mobile processor- Intel GME965 and ICH8M
- Two 200-pin SODIMM sockets support up to 4 GB dual channel DDR2 533/667 SDRAM
- Supports dual display for VGA, LVDS, and DVI
- Supports 4 serial ports and 3 SATA ports
- Built-in dual Gigabit Ethernet
- One CompactFlash Type I/II support
- Onboard TPM 1.2 support (optional)



Specifications

Processor System	CPU (65 nm uFC-PGA 478, Socket P)	Intel Core 2 Duo	Intel Celeron M	Intel ULV Core 2 Duo	
	Max. Speed	T7500 2.2 GHz	550 2.0 GHz	U7500 1.06 GHz on board	
	Front Side Bus	800 MHz	533 MHz	533 MHz	
	L2 Cache	2 x 2 MB	1 MB	1 MB	
	Chipset	Intel GME965 + ICH8M			
	BIOS	AMI 16 Mbit, SPI			
	PCI	32-bit/33 MHz, 1 slot			
Expansion Slot	Mini-PCI	-			
	PCIe	-			
Memory	Technology	Dual channel DDR2 533/667 MHz			
	Max. Capacity	4 GB			
	Socket	2 x 200-pin SODIMM			
Graphics	Controller	Intel GME965 GMCH integrated Graphics Media Accelerator X3100			
	VRAM	DVMT 4.0 supports shared system memory up to 384 MB video memory			
	LVDS	Single channel 18/24-bit/Dual channel 36/48-bit LVDS			
	TV-Out	-			
	DVI	Yes, via Chronitel CH7307C SDVO transmitter			
	Dual Display	CRT+LVDS, CRT+DVI, LVDS+DVI			
Ethernet	Interface	10/100/1000 Mbps			
	Controller	GbE LAN1: Realtek RTL8111B; GbE LAN2: Realtek RTL8111B			
	Connector	RJ-45 x 2			
SATA	Max Data Transfer Rate	300 MB/s			
	Channel	3			
EIDE	Mode	EIDE (Ultra DMA 100)			
	Channel	1			
SSD	CompactFlash	Supports CompactFlash Type I/II			
Rear I/O	VGA	1			
	DVI	1			
	Ethernet	2			
	USB	4 (USB 2.0 compliant)			
	Audio	3 (Mic-in, Line-out, Line-in)			
	Serial	2 (2 x RS-232, supply 5 V & 12 V)			
	PS/2	2 (1 x keyboard and 1 x mouse)			
Internal Connector	LVDS	1			
	USB	6 (USB 2.0 compliant)			
	Serial	2 (2 x RS-232, supply 5 V & 12 V)			
	IDE	1			
	SATA	3			
	CompactFlash	1			
	Parallel	-			
	IrDA	-			
	FDD	-			
Watchdog Timer	DIO	8-bit General Purpose I/O for DI and DO			
	Output Interval	System reset Programmable 1 ~ 255 sec/min			
Power Requirement	Power On	Core 2 Duo T7300 2.0 GHz FSB 800 MHz, 2 GB DDR2 SDRAM			
		+5 V	+3.3 V	+12 V	+5 VSB
		2.75 A	1.76 A	4.13 A	1.42 A
		Operating	Non-Operating		
Environment	Temperature	0 ~ 60° C (32 ~ 140° F)		-20 ~ 70° C (-4 ~ 158° F)	
	Physical Characteristics	Dimensions			
		170 mm x 170 mm (6.69" x 6.69")			

Board Diagram



Ordering Information

Part Number	CPU	GbE	DVI	SATA
AIMB-256G2-00A1E	-	2	1	3
AIMB-256G2-S1A1E	C2D 1.06 GHz	2	1	3

Riser Card

Part Number	Description
AIMB-RP30P-03A1E	2U riser card with 3 PCI slot expansion

Bracket View



AIMB-256G2-00A1E
AIMB-256G2-S1A1E

Packing List

Description	Quantity
AIMB-256 SBC	x 1
IDE HDD cable (40-pin)	x 1
SATA HDD data cable	x 2
SATA HDD power cable	x 2
Serial cables	x 2
CPU cooler	x 1
I/O port bracket	x 1
Startup manual	x 1
Driver CD	x 1

Accessories

Part Number	Description
1700003195	USB cable with two ports, 17.5 cm
1700002204	USB cable with two ports, 27 cm
1700002314	USB cable with four ports, 30.5 cm

AIMB-258

Intel® Core™ 2 Duo Mini-ITX with
VGA/DVI/LVDS, 6 COM, and Dual LAN

NEW



Features

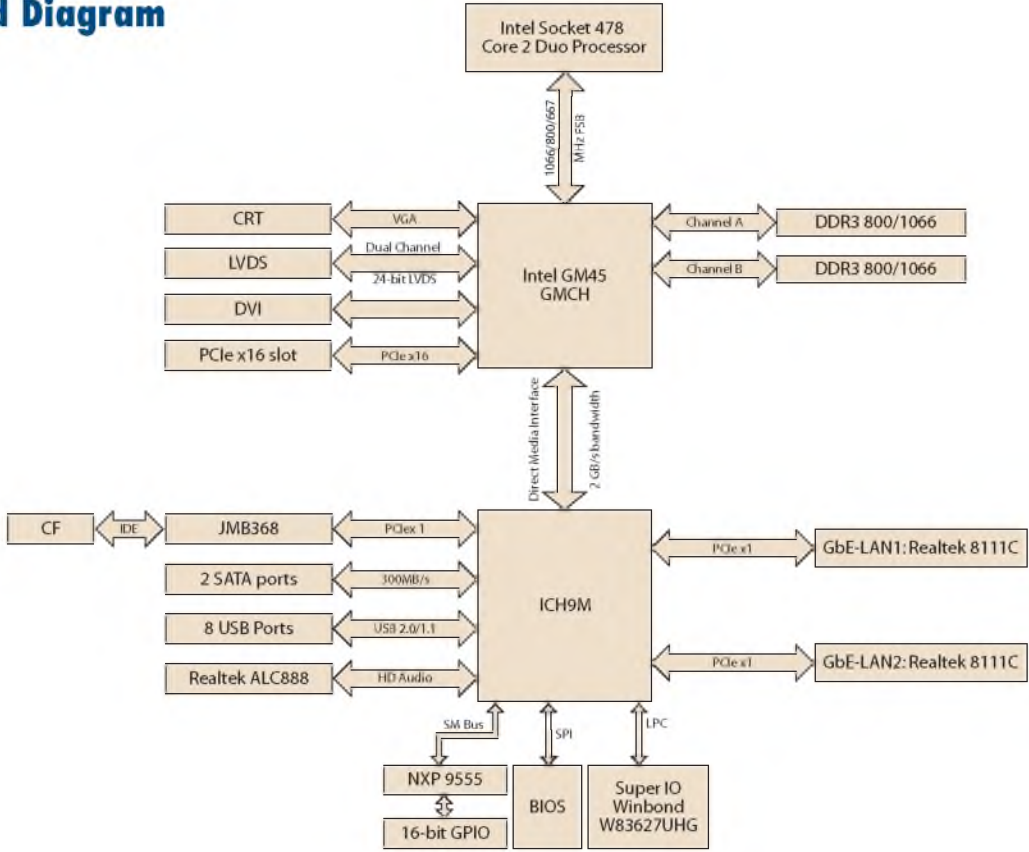
- Supports Intel® uFC-PGA 478 Core™ 2 Duo mobile processor and max. 4 GB dual channel DDR3 800/1066 MHz SDRAM
- Intel® GM45 and ICH9M supports FSB 667/800/1066 MHz
- Supports DirectX10, OpenGL 2.0
- Supports dual display for VGA, LVDS, and DVI
- PCIe x16 expansion for add-on cards
- Rich I/O connectivity of 6 serial ports, 8 USB, 16-bit GPIO
- Dual Gigabit Ethernet
- Supports iTPM 1.2



Specifications

Processor System	CPU (45 nm uFC-PGA 478)	Intel Core 2 Duo	Intel Celeron M
	Max. Speed	T9400 2.53 GHz	575 2.0 GHz
	Front Side Bus	667/800/1066 MHz	667
	L2 Cache	6 MB	1 MB
	Chipset	GM45 + ICH9M	
	BIOS	Award 16 Mbit, SPI	
Expansion Slot	PCI	-	
	Mini-PCI	-	
	PCIe x16	4 GB/s per direction, 1 slot (if PCIe x16 is used, DVI is automatically disabled)	
Memory	Technology	DDR3 800/1066 MHz SDRAM	
	Max. Capacity	4 GB	
	Socket	2 x 204-pin SODIMM	
Graphics	Controller	Intel GM45 GMCH integrated Graphics Media Accelerator X4500	
	VRAM	Shared system memory up to 384 MB video memory	
	LVDS	Single channel 18/24-bit/Dual channel 36/48-bit LVDS	
	TV-Out	-	
	DVI	Yes (if DVI is used, PCIe x16 is automatically disabled)	
	Dual Display	CRT + DVI; CRT + LVDS; DVI + LVDS	
Ethernet	Interface	10/100/1000 Mbps	
	Controller	GbE LAN1: Realtek RTL8111C; GbE LAN2: Realtek RTL8111C	
	Connector	RJ-45 x 2	
SATA	Max Data Transfer Rate	300 MB/s	
	Channel	2	
SSD	CompactFlash	Supports CompactFlash Type I/II	
Rear I/O	VGA	1	
	DVI	1	
	Ethernet	2	
	USB	4 (USB 2.0 compliant)	
	Audio	3 (Mic-in, Line-in, Line-out)	
	Serial	2 (1 of RS-232, 1 of RS-232/422/485)	
	PS/2	2 (1 x keyboard and 1 x mouse)	
	LVDS	1	
Internal Connector	USB	4 (USB 2.0 compliant)	
	Serial	4 (RS-232)	
	IDE	-	
	SATA	2	
	CompactFlash	1	
	Parallel	-	
	IrDA	-	
	FDD	-	
	DIO	16-bit General Purpose I/O for DI and DO	
	Watchdog Timer	Output	System reset
Interval		Programmable 1 ~ 255 sec/min	
Power Requirement	Power On	5 V 3.3 V	12 V 5 Vsb -12 V
		0.99 A 2.67 A	2.07 A 0.17 A 0.08 A
Environment	Operating	0 ~ 60° C (32 ~ 140° F)	Non-Operating
	Temperature		-20 ~ 70° C (-4 ~ 158° F)
Physical Characteristics	Dimensions	170 mm x 170 mm (6.69" x 6.69")	

Board Diagram



Ordering Information

Part Number	Display	GbE	SATA	Serial	CF
AIMB-258G2-00A1E	VGA/DVI/ LVDS	Dual	2	6	1

Riser Card

Part Number	Description
AIMB-R430P-03A2E	2U riser card with 3 PCI slot expansion

Bracket View



AIMB-258G2-00A1E

Packing List

Description	Quantity
AIMB-258 SBC	x 1
SATA HDD data cable	x 2
SATA HDD power cable	x 2
CPU cooler	x 1
I/O port bracket	x 1
Startup manual	x 1
Driver CD	x 1
Cable kits for 4 serial ports	x 1

Accessories

Part Number	Description
1700003195	USB cable with four ports, 17.5 cm
1700002204	USB cable with four ports, 27 cm
1700002314	USB cable with four ports, 30.5 cm

AIMB-262

Intel® LGA775 Core™ 2 Duo Mini-ITX
with VGA, 4 COM, and LAN

NEW



Features

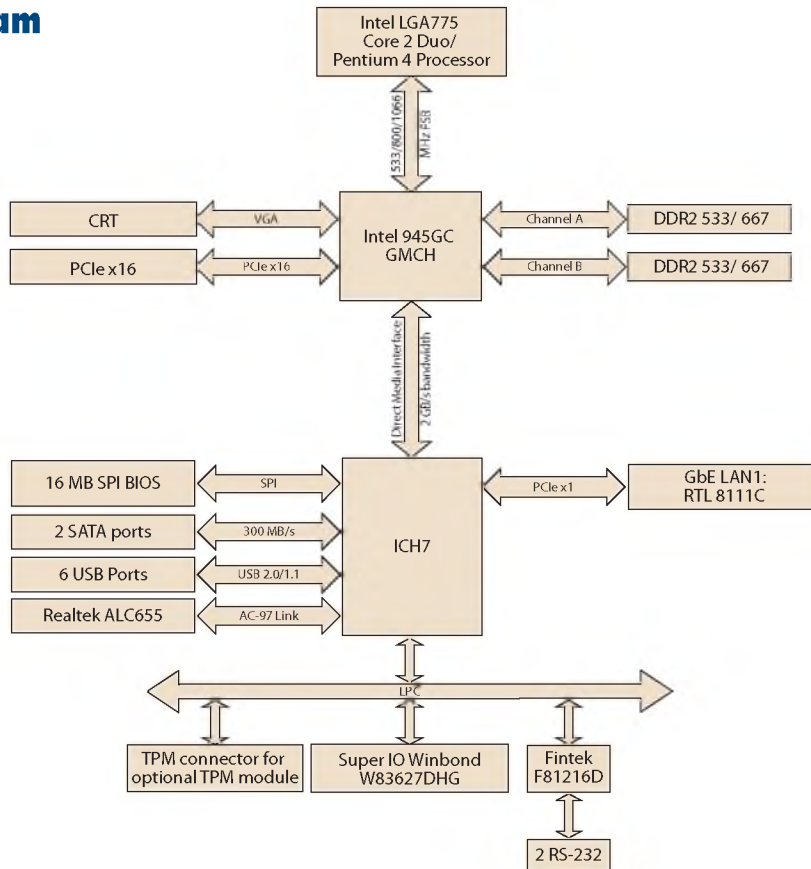
- Supports Intel® LGA775 Core 2™ Duo/Pentium® Dual-Core/Pentium® 4/Celeron® processors with FSB 533/800/1066 MHz
- Intel® 945GC and ICH7
- Two SODIMM sockets support up to 2 GB DDR2 533/667 SDRAM
- Supports onboard VGA and PCIe x16 expansion for additional graphics card
- Supports single GbE LAN
- Supports 4 COM, and 6 USB
- Supports 2 SATA
- Supports optional TPM module



Specifications

Processor System	CPU	Intel Core 2 Duo	Intel Pentium Dual-Core	Intel Pentium 4	Intel Celeron	
	Max. Speed	E7400/E6700, 2.8/2.66 GHz	E2200 2.2GHz	651 3.4 GHz	440 2.0 GHz	
	Front Side Bus	1066 MHz	1066/800 MHz	800 MHz	800 MHz	
	L2 Cache	3/2 MB	1 MB	2 MB	512 K	
	Chipset	Intel 945GC + ICH7				
	BIOS	Award 16 Mbit, SPI				
Expansion Slot	PCI	-				
	Mini-PCI	-				
	PCIe x16	4 GB/s per direction, 1 slot				
Memory	Technology	Dual channel DDR2 533/ 667 SDRAM				
	Max. Capacity	2 GB				
	Socket	2 x 200-pin SODIMM				
Graphics	Controller	Intel Integrated Graphics Media Accelerator 950				
	VRAM	Shared system memory up to 224 MB				
Ethernet	Interface	10/100/1000 Mbps				
	Controller	GbE LAN1: Realtek RTL8111C				
	Connector	RJ-45 x 1				
SATA	Max Data Transfer Rate	300 MB/s				
	Channel	2				
Rear I/O	VGA	1				
	Ethernet	1				
	USB	4 (USB 2.0 compliant)				
	Audio	3 (Mic-in, Line-out, Line-in)				
	Serial	2 (1 of RS-232, 1 of RS-232/422/485)				
	Parallel	-				
	PS/2	2 (1 x keyboard and 1 x mouse)				
Internal Connector	USB	2 (USB 2.0 compliant)				
	Serial	2 (RS-232)				
	IDE	-				
	SATA	2				
	CompactFlash	-				
	Parallel	1				
	IrDA	-				
	DIO	-				
Watchdog Timer	Output	System reset				
	Interval	Programmable 1 ~ 255 sec/min				
Power Requirement	Power On	5 V	3.3 V	12 V	5 Vsb	-12 V
		4 A	1.02 A	2.35 A	0.26 A	0.12 A
Environment		Operating			Non-Operating	
	Temperature	0 ~ 60° C (32 ~ 140° F), depends on CPU speed and cooler solution			-20 ~ 70° C (-4 ~ 158° F)	
Physical Characteristics	Dimensions	170 mm x 170 mm (6.69" x 6.69")				

Board Diagram



Ordering Information

Part Number	VGA	GbE LAN	COM
AIMB-262VG-00A1E	Yes	1	4

Riser Card

Part Number	Description
AIMB-R430P-03A2E	2U riser card with 3 PCI slot expansion

Bracket View



Packing List

Description	Quantity
AIMB-262	x 1
SATA HDD cable	x 2
SATA Power cable	x 2
Serial cable	x 2
I/O port bracket	x 1
Startup manual	x 1
Driver CD	x 1

Accessories

Part Number	Description
9680004525	TPM module
1700008809	Parallel port cable with bracket
1700002204	Dual port USB cable (27 cm) with bracket
1960022033T000	LGA775 CPU cooler for 2U and wallmount chassis
AIMB-DVI-00A1E	ADD2 DVI expansion card
AIMB-LVDS-00A1E	ADD2 LVDS expansion card
AIMB-VGA-00A1E	ADD2 VGA expansion card
AIMB-HDMI-00A1E	ADD2 HDMI expansion card

По вопросам продаж и поддержки обращайтесь:

Архангельск (8182)63-90-72
Астана +7(7172)727-132
Белгород (4722)40-23-64
Брянск (4832)59-03-52
Владивосток (423)249-28-31
Волгоград (844)278-03-48
Вологда (8172)26-41-59
Воронеж (473)204-51-73
Екатеринбург (343)384-55-89
Иваново (4932)77-34-06
Ижевск (3412)26-03-58
Казань (843)206-01-48

Калининград (4012)72-03-81
Калуга (4842)92-23-67
Кемерово (3842)65-04-62
Киров (8332)68-02-04
Краснодар (861)203-40-90
Красноярск (391)204-63-61
Курск (4712)77-13-04
Липецк (4742)52-20-81
Магнитогорск (3519)55-03-13
Москва (495)268-04-70
Мурманск (8152)59-64-93
Набережные Челны (8552)20-53-41

Нижний Новгород (831)429-08-12
Новокузнецк (3843)20-46-81
Новосибирск (383)227-86-73
Орел (4862)44-53-42
Оренбург (3532)37-68-04
Пенза (8412)22-31-16
Пермь (342)205-81-47
Ростов-на-Дону (863)308-18-15
Рязань (4912)46-61-64
Самара (846)206-03-16
Санкт-Петербург (812)309-46-40
Саратов (845)249-38-78

Смоленск (4812)29-41-54
Сочи (862)225-72-31
Ставрополь (8652)20-65-13
Тверь (4822)63-31-35
Томск (3822)98-41-53
Тула (4872)74-02-29
Тюмень (3452)66-21-18
Ульяновск (8422)24-23-59
Уфа (347)229-48-12
Челябинск (351)202-03-61
Череповец (8202)49-02-64
Ярославль (4852)69-52-93