

Промышленные материнские платы АТХ серии АІМВ-700

ТЕХНИЧЕСКИЕ ХАРАКТЕРИСТИКИ

По вопросам продаж и поддержки обращайтесь:

Архангельск (8182)63-90-72
Астана +7(7172)727-132
Белгород (4722)40-23-64
Брянск (4832)59-03-52
Владивосток (423)249-28-31
Волгоград (844)278-03-48
Вологда (8172)26-41-59
Воронеж (473)204-51-73
Екатеринбург (343)384-55-89
Иваново (4932)77-34-06
Ижевск (3412)26-03-58
Казань (843)206-01-48

Калининград (4012)72-03-81
Калуга (4842)92-23-67
Кемерово (3842)65-04-62
Киров (8332)68-02-04
Краснодар (861)203-40-90
Красноярск (391)204-63-61
Курск (4712)77-13-04
Липецк (4742)52-20-81
Магнитогорск (3519)55-03-13
Москва (495)268-04-70
Мурманск (8152)59-64-93
Набережные Челны (8552)20-53-41

Нижний Новгород (831)429-08-12
Новокузнецк (3843)20-46-81
Новосибирск (383)227-86-73
Орел (4862)44-53-42
Оренбург (3532)37-68-04
Пенза (8412)22-31-16
Пермь (342)205-81-47
Ростов-на-Дону (863)308-18-15
Рязань (4912)46-61-64
Самара (846)206-03-16
Санкт-Петербург (812)309-46-40
Саратов (845)249-38-78

Смоленск (4812)29-41-54
Сочи (862)225-72-31
Ставрополь (8652)20-65-13
Тверь (4822)63-31-35
Томск (3822)98-41-53
Тула (4872)74-02-29
Тюмень (3452)66-21-18
Ульяновск (8422)24-23-59
Уфа (347)229-48-12
Челябинск (351)202-03-61
Череповец (8202)49-02-64
Ярославль (4852)69-52-93

AIMB-780

Intel® Core™ i7/i5/i3/Pentium®/Xeon® ATX with DVI/VGA, 4 COM, Dual LAN, DDR3

NEW



Features

- Supports Intel® Core™ i7/i5/i3/Pentium®/Xeon® processor with Q57/3450 chipset
- Four DIMM sockets support up to 16 GB DDR3 800/1066/1333
- Supports dual display VGA and DVI and dual GbE LAN
- Supports SATA RAID 0, 1, 5, 10, AMT6.0, TPM1.2 (optional)
- Supports embedded software APIs and utilities

Software APIs:



Utilities:



Note: eSOS need ODM BIOS by request

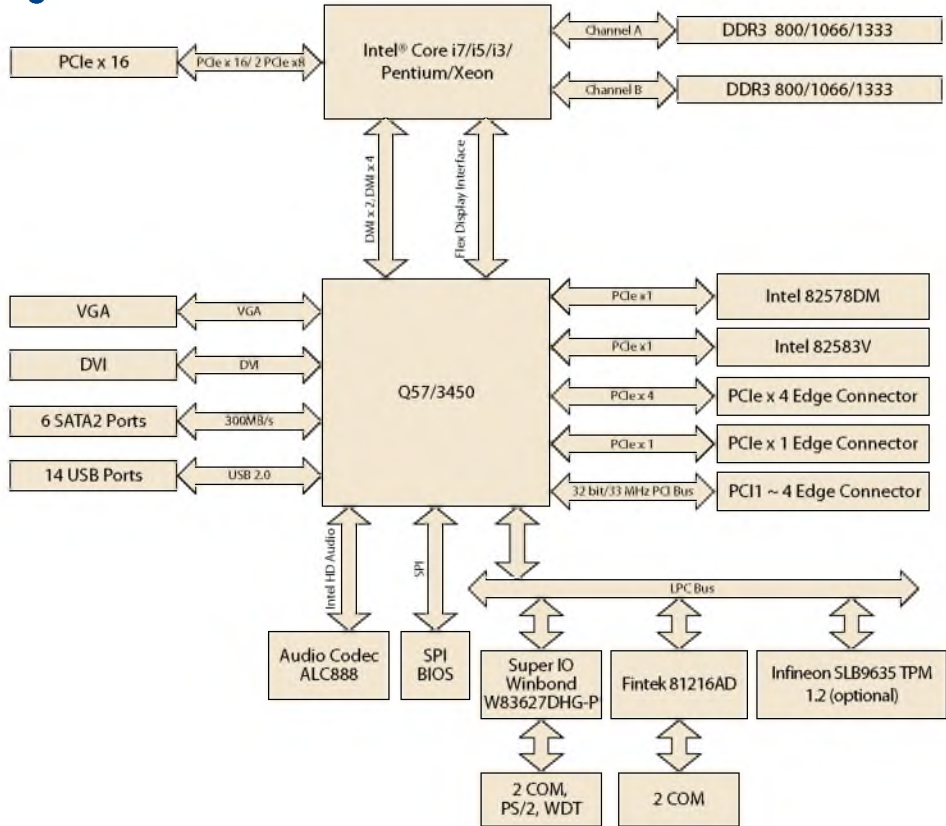


CE FCC

Specifications

Processor System	CPU	Xeon 34xx	Core i7 8xx	Core i5 7xx	Core i5 6xx	Core i3 5xx	Pentium G69xx
	Core Number	4	4	4	2	2	2
	Speed	2.93 Ghz	2.93 Ghz	2.66 Ghz	3.3 GHz	3.06 GHz	2.8 GHz
	Integrated Graphics	-	-	-	Yes	Yes	Yes
	L3 Cache	8 MB	8 MB	8 MB	4 MB	4 MB	3 MB
	Support Model	WG2	QG2	QG2	WG2/QG2	WG2/QG2	WG2/QG2
	Socket	LGA1156					
	Chipset	Q57 for QG2 version; 3450 for WG2 version (WG2 only supports Xeon 34xx, Core i5 6xx, Core i3 5xx, and Pentium G69XX CPUs)					
BIOS	AMI 64 Mbit SPI						
Expansion Slot	PCI	32-bit/33 MHz, 4 slots					
	PCIe x1	250 MB/s per direction, 1 slot					
	PCIe x4	1.0 GB/s per direction, 1 slot					
	PCIe x16 (Gen2)	8 GB/s per direction, 1 slot					
Memory	Technology	Dual Channel DDR3 800/1066/1333 (Only WG2 SKU supports ECC memory)					
	Max. Capacity	16 GB					
	Socket	4 x 240-pin DIMM					
Graphics	Controller	Intel HD Graphics (Only the Core i5 6xx, Core i3 and Pentium CPUs with dual core are embedded with integrated graphics)					
	VRAM	1 GB maximum shared memory with 2 GB and above system memory installed					
Ethernet	Interface	10/100/1000 Mbps					
	Controller	GbE LAN1: Intel 82578DM, GbE LAN2: Intel 82583V					
	Connector	RJ-45 x 2					
SATA	Max Data Transfer Rate	300 MB/s					
	Channel	6					
Rear I/O	VGA	1					
	DVI	1					
	Ethernet	2					
	USB	4 (USB 2.0 compliant)					
	Audio	2 (Mic-in, Line-out)					
	Serial	2 (RS-232)					
	PS/2	2 (1 x keyboard and 1 x mouse)					
	USB	10 (USB 2.0 compliant)					
Internal Connectors	Serial	2 (1 x RS-232, 1 x RS-232/422/485 for support auto flow control)					
	IDE	-					
	SATA	6					
	FDD	1					
	Parallel	1					
	IrDA	-					
	DIO	-					
	Watchdog Timer	Output	System reset				
	Interval	Programmable 1 ~ 255 sec/min					
Power Requirement	Power On	Intel Core i5-660 processor and disable C state ; DDR3 2 GB x 4					
		5 V	3.3 V	12 V	5 Vsb	-12 V	
		4.23 A	0.96 A	3.93 A	1.18 A	0.01A	
Environment		Operating				Non-Operating	
	Temperature	0 ~ 60° C (32 ~ 140° F), depends on CPU speed and cooler solution				-40 ~ 85° C (-40 ~ 185° F)	
Physical Characteristics	Dimensions	304.8 x 244 mm (12" x 9.6")					

Board Diagram



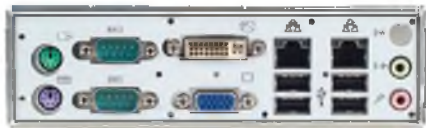
Ordering Information

Part Number	Chipset	Memory	USB	COM	GbE LAN	TPM
AIMB-780QG2-00A1E	Q57	Non-ECC	14	4	2	None
AIMB-780WG2-00A1E	3450	ECC/ Non-ECC	14	4	2	Optional

Riser Card

Part Number	Description
AIMB-RP10P-01A1E	1U riser card with 1 PCI expansion
AIMB-RP30P-03A1E	2U riser card with 3 PCI expansion
AIMB-RP3PF-21A1E	2U riser card with 1PCIe x16 & 2 PCI slot expansion
AIMB-RP3P8-12A1E	2U riser card with 2PCIe x8 & 1 PCI slot expansion (only for WG2 Sku)

Bracket View



AIMB-780QG2-00A1E
AIMB-780WG2-00A1E

Packing List

Part Number	Description	Quantity
1700003194	SATA HDD cable	x2
1703150102	SATA power cable	x2
1701092300	COM port cable kit	x1
1960019193T000	I/O port bracket	x1
2002078010	Startup manual	x1
2062078000	Driver CD	x1

Optional Accessories

Part Number	Description
1700002204	Dual port USB cable (27 cm) with bracket
1960047669N001	LGA1156 CPU cooler for 4U and wallmount chassis
1700008809	Printer port cable kit

Note: Purchasing AIMB-780's proprietary CPU cooler from Advantech is a must. Other brands' CPU coolers are NOT compatible with AIMB-780.

Value-Added Software Services

Software API: An interface that defines the ways by which an application program may request services from libraries and/or operating systems. Provides not only the underlying drivers required but also a rich set of user-friendly, intelligent and integrated interfaces, which speeds development, enhances security and offers add-on value for Advantech platforms. It plays the role of catalyst between developer and solution, and makes Advantech embedded platforms easier and simpler to adopt and operate with customer applications.

Software APIs

Control



GPIO

General Purpose Input/Output is a flexible parallel interface that allows a variety of custom connections. It allows users to monitor the level of signal input or set the output status to switch on/off a device. Our API also provides Programmable GPIO, which allows developers to dynamically set the GPIO input or output status.



SMBus

SMBus is the System Management Bus defined by Intel® Corporation in 1995. It is used in personal computers and servers for low-speed system management communications. The SMBus API allows a developer to interface a embedded system environment and transfer serial messages using the SMBus protocols, allowing multiple simultaneous device control.



I2C

I2C is a bi-directional two wire bus that was developed by Philips for use in their televisions in the 1980s. The I2C API allows a developer to interface with an embedded system environment and transfer serial messages using the I2C protocols, allowing multiple simultaneous device control.

Display



Brightness Control

The Brightness Control API allows a developer to interface with an embedded device to easily control brightness.



Backlight

The Backlight API allows a developer to control the backlight (screen) on/off in an embedded device.

Monitor



Watchdog

A watchdog timer (WDT) is a device that performs a specific operation after a certain period of time if something goes wrong and the system does not recover on its own. A watchdog timer can be programmed to perform a warm boot (restarting the system) after a certain number of seconds.



Hardware Monitor

The Hardware Monitor (HWM) API is a system health supervision API that inspects certain condition indexes, such as fan speed, temperature and voltage.



Hardware Control

The Hardware Control API allows developers to set the PWM (Pulse Width Modulation) value to adjust fan speed or other devices; it can also be used to adjust the LCD brightness.

Power Saving



CPU Speed

Make use of Intel SpeedStep technology to reduce power consumption. The system will automatically adjust the CPU Speed depending on system loading.



System Throttling

Refers to a series of methods for reducing power consumption in computers by lowering the clock frequency. These APIs allow the user to lower the clock from 87.5% to 12.5%.

Software Utilities



BIOS Flash

The BIOS Flash utility allows customers to update the flash ROM BIOS version, or use it to back up current BIOS by copying it from the flash chip to a file on customers' disk. The BIOS Flash utility also provides a command line version and API for fast implementation into customized applications.



Embedded Security ID

The embedded application is the most important property of a system integrator. It contains valuable intellectual property, design knowledge and innovation, but it is easily copied! The Embedded Security ID utility provides reliable security functions for customers to secure their application data within embedded BIOS.



Monitoring

The Monitoring utility allows the customer to monitor system health, including voltage, CPU and system temperature and fan speed. These items are important to a device; if critical errors happen and are not solved immediately, permanent damage may be caused.



eSOS

The eSOS is a small OS stored in BIOS ROM. It will boot up in case of a main OS crash. It will diagnose the hardware status, and then send an e-mail to a designated administrator. The eSOS also provides remote connection: Telnet server and FTP server, allowing the administrator to rescue the system.



Flash Lock

Flash Lock is a mechanism that binds the board and CF card (SQFlash) together. The user can "Lock" SQFlash via the Flash Lock function and "Unlock" it via BIOS while booting. A locked SQFlash cannot be read by any card reader or boot from other platforms without a BIOS with the "Unlock" feature.

AIMB-762

LGA775 Pentium® D/Pentium 4/Celeron® D Processor-based ATX with DDR2/PCIe/Dual GbE LAN

NEW



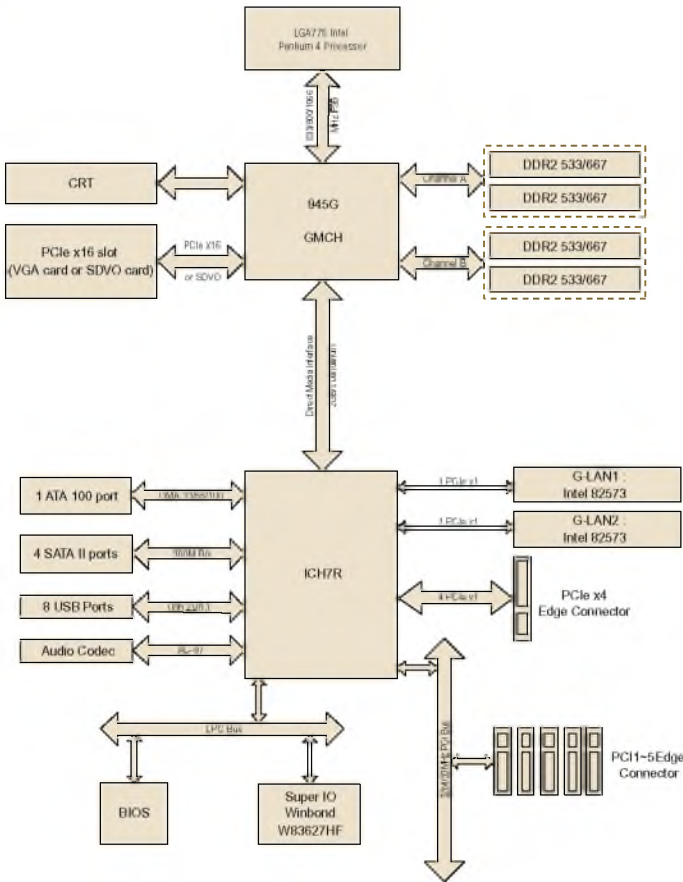
Features

- Intel® 945G chipset 800 MHz FSB
- Dual channel DDR2 533/667 SDRAM up to 4 GB
- Chipset integrated VGA sharing 224 MB system memory
- PCIe x16 slot for VGA card
- Four SATA II ports with 300 MB transfer rate and (software RAID 0, 1, 10, 5)
- Supports dual 10/100/1000Base-T Ethernet via dedicated PCIe x 1 bus
- Compatible with Advantech's 2U, 4U, 5U and 7U Chassis

Specifications

Processor System	CPU	Intel Pentium® D	Intel Pentium 4	Intel Celeron D
	Max. Speed	3.2 GHz (Dual-core)	3.8 GHz	3.06 GHz
	L2 Cache	2 MB x2/1 MB x2	2 MB/1 MB	512 KB/256 KB
	Chipset	Intel 945G + ICH7R		
	BIOS	Award 8 Mb FWH		
	Front Side Bus	533/800 MHz		
Expansion Slot	PCIe x16	4.0 GB/s per direction, 1 slot		
	PCIe x4	1.0 GB/s per direction, 1 slot		
	PCI	32-bit/33MHz, 5 slots		
Memory	Technology	Dual channel DDR2 533/667 MHz		
	Max. Capacity	4 GB		
	Socket	240-pin DIMM x 4		
Graphic	Embedded	Chipset integrated VGA controller sharing 224 MB system memory		
	Add-on	PCIe x16 slot		
Ethernet	Interface	10/100/1000 Base-T		
	Controller	G-LAN1: Intel 82573 G-LAN2: Intel 82573 (2 PCIe x1)		
	Connector	RJ45 with LED connector x 2		
SATA II	Max. Data Transfer Rate	300 MB/s		
	Channel	4 (Supporting S/W RAID 0, 1, 10, 5)		
EIDE	Mode	ATA 100/66/33		
	Channel	1 (Max. 2 devices)		
I/O Interface	VGA	1		
	USB	Max. 8 (USB 2.0 compliant), 4 ports on board		
	Audio	2 (LINE-Out and MIC-In)		
	Serial	2 (1 of RS-232/422/485, 1 of RS-232)		
	Parallel	1 (SPP/EPP/ECP)		
	FDD	1		
	PS/2	2		
	GPIO	1 8-pin connector (4 of GPI, 4 of GPO)		
Watchdog Timer	Output	Interrupt, system reset		
	Interval	Programmable 1 ~ 255 sec		
Power Requirement	Typical	Pentium D 3.2 GHz (800 MHz FSB), 4 x 1 GB DDR2 667 SDRAM		
		+5 V	+3.3 V	+12 V
		3.10 A	1.54 A	9.90 A
Environment		Operating		Non-Operating
	Temperature	0 ~ 60 °C (32 ~ 140 °F), depends on CPU's speed and cooler solution.		-20 ~ 70 °C (-40 ~ 158 °F)
Physical Characteristics	Dimensions (W x D)	304.8 x 244 mm (12" x 9.6")		

Block Diagram



Ordering Information

Part Number	Embedded VGA	PCIe x16 for VGA	Gigabit LAN
AIMB-762VG-00A1	Yes	Yes	Single
AIMB-762G2-00A1	Yes	Yes	Dual

Packing List

Part Number	Description	Quantity
1700340640	FDD cable	X 1
1701400452	IDE HDD cable	X 2
1700071000	Serial ATA HDD data cable	X 2
1703150102	Serial ATA HDD power cable	X 2
170304015K	ATX 12V power converter cable	X 1
1701090401	COM port cable kit	X 1
9689000068	Jumper pack	X 1
1960004027	I/O port bracket	X 1
-	Startup manual	X 1
-	Utility CD	X 1

Bracket View



AIMB-762VG-00A1



AIMB-762G2-00A1

Accessories

Part Number	Description
1750000334	LGA775 CPU cooler up to 3.8 GHz (115 W), 4U, 5U and 7U chassis
1750000332	LGA775 CPU cooler up to 3.8 GHz (115 W), 2U, 4U, 5U and 7U chassis

AIMB-763

Intel® LGA775 Core™ 2 Duo/Pentium® 4/
ATX with VGA, 4 COM, SW RAID, and Dual LAN



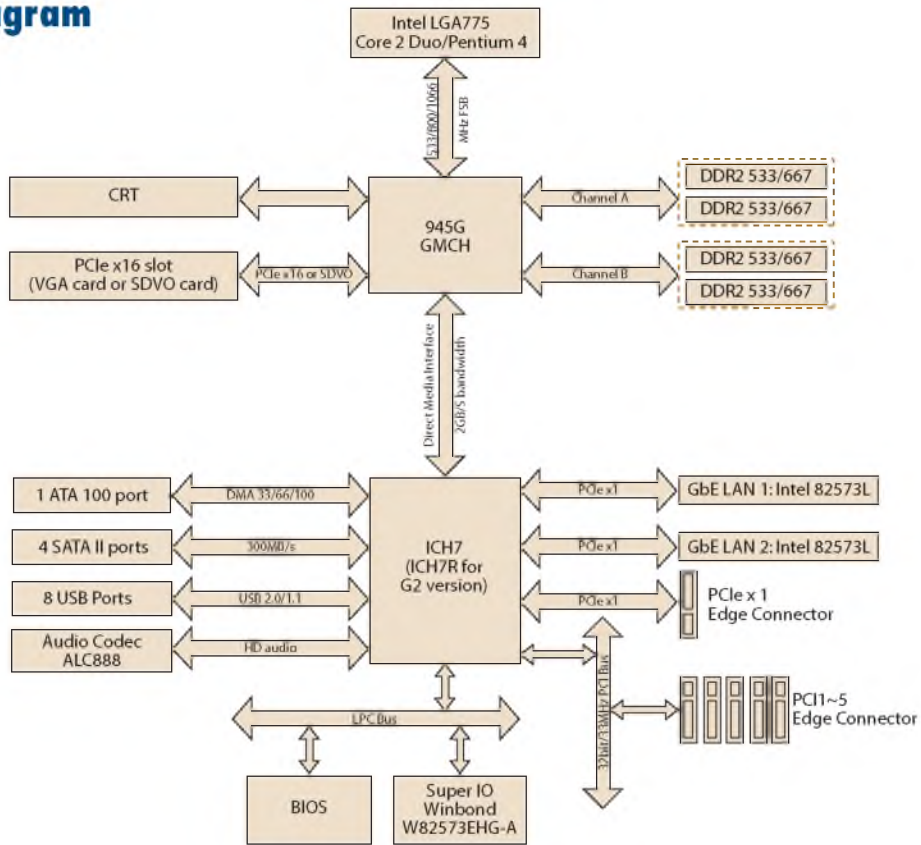
Features

- Supports Core™ 2 Duo FSB 800/1066 MHz
- Dual channel DDR2 533/667 SDRAM up to 4 GB
- Chipset integrated VGA sharing 224 MB system memory
- PCIe x16 slot for VGA card
- Supports 10/100/1000 Mbps Ethernet via dedicated PCIe x 1 bus
- Supports SATA RAID 0, 1, 5 and 10 for G2 version

Specifications

Processor System	CPU (45nm/65nm/90nm)	Intel Core 2 Duo	Intel Pentium dual-core	Intel Pentium 4	Intel Celeron D
	Max. Speed	E7400 2.8GHz	E2200 2.2 GHz	651 3.4 GHz	352 3.2 GHz
	L2 Cache	3 MB	1 MB	2 MB	512 KB/256K B
	Chipset	Intel 945G + ICH7 (ICH7R for G2 version)			
	BIOS	Award 8 Mbit, FWH			
	Front Side Bus	533/800/1066 MHz			
Expansion Slot	PCIe x16	4.0 GB/s per direction, 1 slot			
	PCIe x1	250 MB per direction, 1 slot			
	PCI	32-bit/33MHz, 5 slots			
Memory	Technology	Dual channel DDR2 533/667 MHz			
	Max. Capacity	4 GB			
	Socket	4 x 240-pin DIMM			
Graphics	Embedded	Intel GMA 950 sharing 224 MB system memory			
	Add-on	PCIe x16 slot			
Ethernet	Interface	10/100/1000 Mbps			
	Controller	GbE LAN1: Intel 82573L; GbE LAN2: Intel 82573L			
	Connector	RJ-45 x 2			
SATA II	Max. Data Transfer Rate	300 MB/s			
	Channel	4			
EIDE	Mode	ATA 100/66/33			
	Channel	1 (max. 2 devices) (2 for G2 version)			
I/O Interface	VGA	1			
	USB	8			
	Audio	3 (Line-out, Line-in, Mic-out)			
	Serial	2 (for VG version); 4 (for G2 version). COM2 supports RS-232/422/485			
	Parallel	1 (SPP/EPP/ECP)			
	FDD	1			
	PS/2	2 (1 x keyboard and 1 x mouse)			
	GPIO	-			
Watchdog Timer	Output	Interrupt, system reset			
	Interval	Programmable 1 ~ 255 sec/min			
Power Requirement	Power On	Pentium 4 3.8 GHz (800 MHz FSB), 4 x 1 GB DDR2 667 SDRAM			
		+5 V	+3.3 V	+12 V	
		3.10 A	1.54 A	9.90 A	
Environment	Operating				Non-Operating
	Temperature	0 ~ 60 °C (32 ~ 140 °F), depends on CPU speed and cooler solution.			-20 ~ 70 °C (-40 ~ 158 °F)
Physical Characteristics	Dimensions (W x D)	304.8 x 244 mm (12" x 9.6")			

Board Diagram



Ordering Information

Part Number	GbE LAN	COM	SATA SW RAID	IDE RAID
AIMB-763VG-00A1E	1	2	None	None
AIMB-763G2-00A1E	2	4	Yes	None

Riser Card

Part Number	Description
AIMB-RP3PF-21A1E	2U riser card with 1PClex16 & 2PCI slot expansion

Bracket View



AIMB-763VG-00A1E



AIMB-763G2-00A1E

Packing List

Description	Quantity
FDD cable	x 1
IDE HDD cable	x 1
Serial ATA HDD data cable	x 2
Serial ATA HDD power cable	x 2
COM port cable kit	x 1
I/O port bracket	x 1
Startup manual	x 1
Utility CD	x 1

Accessories

Part Number	Description
1750000334	LGA775 CPU cooler up to 3.8 GHz (115 W), 4U, 5U and 7U chassis
1960022033T000	LGA775 CPU cooler for 2U chassis
1700006915	Power relay cable to activate ACP-4000 LED indicators
1700006916	Power relay cable to activate IPC-610H LED indicators
1700006917	PS/2 cable to active ACP-2010MB/2320MB/4000MB & IPC-510MB/610MB-H/7143/7220 keyboard/mouse function

AIMB-764

LGA 775 Core™ 2 Quad/ Core™ 2 Duo/
Pentium® 4 / Celeron® D Processor-based
ATX with DDR2/PCIe/Dual LAN

NEW



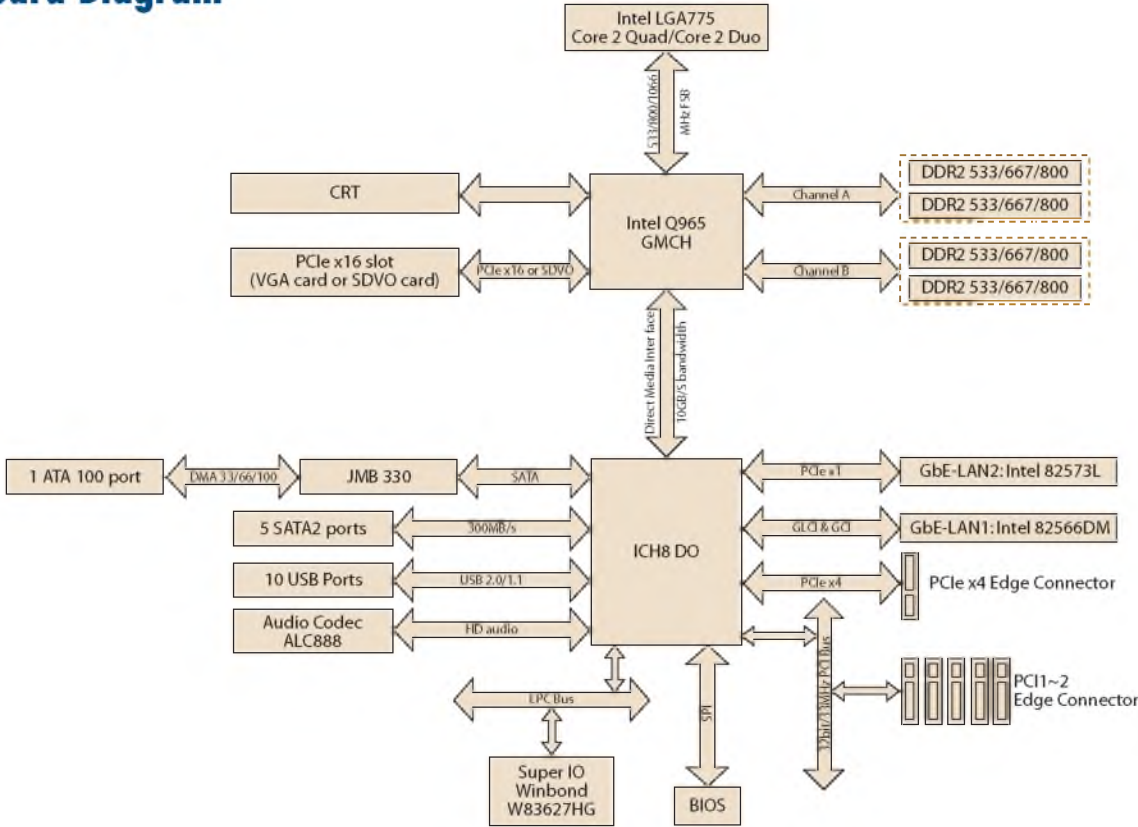
Features

- Intel® Q965 533/800/1066 MHz FSB
- Supports Intel Core™ 2 Duo processor
- Dual channel DDR2 533/667/800 SDRAM up to 8GB
- Chipset integrated VGA sharing 256MB system memory
- PCIe x16 slot for VGA card
- Five SATA II ports with 300 MB transfer rate
- Supports SATA RAID 0, 1, 5 and 10
- Supports Dual 10/100/1000Base-T Ethernet via dedicated PCIe x1 bus

Specifications

Processor System	CPU (45nm/ 65nm/ 90nm)	Intel Core 2 Quad	Core 2 Duo	Pentium dual-core	Pentium 4	Celeron D
	Max. Speed	2.66 GHz	2.8 GHz	2.2 GHz	3.8 GHz	3.06 GHz
	L2 Cache	8 MB	3 MB	1 MB	2 MB/1 MB	512 KB/ 256 KB
	Chipset	Intel Q965+ICH8DO				
	BIOS	Award 16Mbit SPI				
	Front Side Bus	533/800/1066 MHz				
Expansion Slot	PCIe x16	4.0 GB/s per direction, 1 slot				
	PCIe x4	1 GB/s per direction, 1 slot				
	PCI	32-bit/33MHz, 5 slots				
Memory	Technology	Dual channel DDR2 533/667/800 MHz				
	Max. Capacity	8 GB				
	Socket	240-pin DIMM x 4				
Graphics	Embedded	Intel GMA 3000 sharing 256 MB system memory				
	Add-on	PCIe x16 slot				
Ethernet	Interface	10/100/1000 Base-T				
	Controller	GbE LAN1 Intel 82556DM; GbE LAN2: Intel 82573L				
	Connector	RJ-45 x 2				
SATA II	Max. Data Transfer Rate	300 MB/s				
EIDE	Channel	5				
	Mode	ATA 100/66/33				
I/O Interface	Channel	1 (Max. 1 device)				
	VGA	1				
	USB	Max. 10 (USB 2.0 compliant), 4 ports on board				
	Audio	2 (MIC-In, Line-Out)				
	Serial	2 (COM2 for RS232/422/485)				
	Parallel	1 (SPP/EPP/ECP)				
	FDD	1				
Watchdog Timer	PS/2	2				
	Out put	System reset				
Power Requirement	Interval	Programmable 1~255 sec/ min				
	Typical	Intel Core 2 Duo 2.13 GHz and four 1 GB DDR2 667Mhz SDRAM				
		+12 V	+5 V	+3.3 V	5 Vsb	
Environment		10A	4.5A	4A	1A	
	Temperature	Operating				Non-Operating
Physical Characteristics		0-55° C (32 ~ 131° F), depends on CPU's speed and cooler solution				-20 ~ 70° C (-4 ~ 158° F)
	Dimensions (W x D)	304.8 x 244 mm (12" x 9.6")				

Board Diagram



Ordering Information

Part Number	VGA	GbE LAN
AIMB-764G2-00A1E	Yes	Dual

**We strongly suggest using only Advantech's certified LGA 775 CPU coolers to ensure board reliability under harsh conditions.

Riser Card

Part Number	Description
AIMB-R430P-03A1E	2U riser card with 3 PCI slot expansion
AIMB-R4301-03A1E	2U riser card with 3 PCIe x 1 slot expansion
AIMB-R4104-01A1E	1U riser card with 1 PCIe x 4 slot expansion
AIMB-R431F-21A1E	2U riser card with 1PClex16 & 2PClex1 slot expansion
AIMB-R43PF-21A1E	2U riser card with 1PClex16 & 2PCI slot expansion

Bracket View



AIMB-764G2-00A1E

Packing List

Part Number	Description	Quantity
1700340640	FDD cable	x 1
1701400452	IDE HDD cable	x 1
1700003194	Serial ATA HDD data cable	x 2
1703150102	Serial ATA HDD power cable	x 2
1701090401	COM port cable kit	x 1
9689000068	Jumper pack	x 1
1960012533T000	I/O port bracket	x 1
-	Startup manual	x 1
-	Utility CD	x 1

Accessories

Part Number	Description
1750001661	LGA 775 CPU Cooler for 2U chassis (supports Core 2 Duo, Pentium 4 max. 3.4 GHz, and Celeron D processors)
1750000334	LGA 775 CPU Cooler for 4U+ chassis (supports Core 2 Duo, Pentium 4 and Celeron D processor)
1700002314	USB cable with four ports, 30.5cm
1700002204	USB cable with dual ports, 27cm
1700003195	USB cable with dual ports, 17.5cm

По вопросам продаж и поддержки обращайтесь:

Архангельск (8182)63-90-72
Астана +7(7172)727-132
Белгород (4722)40-23-64
Брянск (4832)59-03-52
Владивосток (423)249-28-31
Волгоград (844)278-03-48
Вологда (8172)26-41-59
Воронеж (473)204-51-73
Екатеринбург (343)384-55-89
Иваново (4932)77-34-06
Ижевск (3412)26-03-58
Казань (843)206-01-48

Калининград (4012)72-03-81
Калуга (4842)92-23-67
Кемерово (3842)65-04-62
Киров (8332)68-02-04
Краснодар (861)203-40-90
Красноярск (391)204-63-61
Курск (4712)77-13-04
Липецк (4742)52-20-81
Магнитогорск (3519)55-03-13
Москва (495)268-04-70
Мурманск (8152)59-64-93
Набережные Челны (8552)20-53-41

Нижний Новгород (831)429-08-12
Новокузнецк (3843)20-46-81
Новосибирск (383)227-86-73
Орел (4862)44-53-42
Оренбург (3532)37-68-04
Пенза (8412)22-31-16
Пермь (342)205-81-47
Ростов-на-Дону (863)308-18-15
Рязань (4912)46-61-64
Самара (846)206-03-16
Санкт-Петербург (812)309-46-40
Саратов (845)249-38-78

Смоленск (4812)29-41-54
Сочи (862)225-72-31
Ставрополь (8652)20-65-13
Тверь (4822)63-31-35
Томск (3822)98-41-53
Тула (4872)74-02-29
Тюмень (3452)66-21-18
Ульяновск (8422)24-23-59
Уфа (347)229-48-12
Челябинск (351)202-03-61
Череповец (8202)49-02-64
Ярославль (4852)69-52-93