

Серверы последовательных интерфейсов серии ЕКІ-1000

ТЕХНИЧЕСКИЕ ХАРАКТЕРИСТИКИ

По вопросам продаж и поддержки обращайтесь:

Архангельск (8182)63-90-72
Астана +7(7172)727-132
Белгород (4722)40-23-64
Брянск (4832)59-03-52
Владивосток (423)249-28-31
Волгоград (844)278-03-48
Вологда (8172)26-41-59
Воронеж (473)204-51-73
Екатеринбург (343)384-55-89
Иваново (4932)77-34-06
Ижевск (3412)26-03-58
Казань (843)206-01-48

Калининград (4012)72-03-81
Калуга (4842)92-23-67
Кемерово (3842)65-04-62
Киров (8332)68-02-04
Краснодар (861)203-40-90
Красноярск (391)204-63-61
Курск (4712)77-13-04
Липецк (4742)52-20-81
Магнитогорск (3519)55-03-13
Москва (495)268-04-70
Мурманск (8152)59-64-93
Набережные Челны (8552)20-53-41

Нижний Новгород (831)429-08-12
Новокузнецк (3843)20-46-81
Новосибирск (383)227-86-73
Орел (4862)44-53-42
Оренбург (3532)37-68-04
Пенза (8412)22-31-16
Пермь (342)205-81-47
Ростов-на-Дону (863)308-18-15
Рязань (4912)46-61-64
Самара (846)206-03-16
Санкт-Петербург (812)309-46-40
Саратов (845)249-38-78

Смоленск (4812)29-41-54
Сочи (862)225-72-31
Ставрополь (8652)20-65-13
Тверь (4822)63-31-35
Томск (3822)98-41-53
Тула (4872)74-02-29
Тюмень (3452)66-21-18
Ульяновск (8422)24-23-59
Уфа (347)229-48-12
Челябинск (351)202-03-61
Череповец (8202)49-02-64
Ярославль (4852)69-52-93

EKI-1221

EKI-1222

EKI-1224

1-port Modbus Data Gateway

2-port Modbus Data Gateway

4-port Modbus Data Gateway



CE FCC

Features

- Provides dual 10/100 Mbps auto-sensing Ethernet ports
- Integration of Modbus TCP and Modbus RTU/ASCII networks
- Supports baud rates up to 921.6 kbps
- Supports up to 16 connections and 32 requests simultaneously
- Supports 31 slaves per serial port
- Provides easy to use configuration utility for Win2000/XP/Vista (x86)
- Auto searching slave ID over configuration utility
- Software selectable RS-232/422/485 communication
- Mounts on DIN-rail, wall or panel
- Surge protection for RS-422/485 lines and power input

Introduction

EKI-1221/1222/1224 feature two independent Ethernet ports and MAC addresses to provide a redundant networking mechanism to guarantee Ethernet networking reliability. These are network-based, Modbus data gateways for integrating new and existing Modbus/RTU and Modbus/ASCII serial devices to newer TCP/IP networked-based devices. They provide a simple and cost-effective way to bring the advantage of remote management and data accessibility to thousand of devices that can not connect to a network. EKI-1221/1222/1224 provide a feature that can allow users to select master or slave operation mode for each serial port. They not only allow an Ethernet master to control serial slaves, but also allow serial masters to control Ethernet slaves.

Specifications

Ethernet Communications

- **Compatibility** IEEE802.3, IEEE802.3u
- **Speed** 10/100Mbps auto sensing
- **No. of Ports** 2
- **Port Connector** 8-pin RJ45 x 2 (with LED)
- **Protection** Built-in 1.5 KV magnetic isolation

Serial Communications

- **Type** RS-232/422/485, software selectable
- **No. of Ports** EKI-1221: 1
EKI-1222: 2
EKI-1224: 4
- **Port Connector** DB9 (Male)
- **Data Bits** 7, 8
- **Stop Bits** 1, 2
- **Parity Bits** None, Even, Odd, Space, Mark
- **Baud Rate** 50 to 921.6 Kbps
- **Data Signals** RS-232: TxD, RxD, CTS, RTS, DTR, DSR, DCD, RI, GND
RS-422: TxD+, TxD-, RxD+, RxD-, GND
RS-485: Data+, Data-, GND
- **Flow Control** RTS/CTS, XON/XOFF, DTR/DSR
- **Protection** 15 KV ESD for all signals, surge protection for RS-422/485 lines

Software

- **OS Supported** Windows 2000/XP/Vista (x86)
- **Utility Software** Advantech Serial Device Server Configuration Utility
- **Operation Modes** Modbus RTU Master/Slave,
Modbus ASCII Master/Slave

Mechanics

- **Dimensions (W x H x D)** EKI-1221/1222: 37 x 140 x 95 mm
EKI-1224: 55 x 140 x 95 mm
- **Enclosure** Metal with solid mounting hardware
- **Mounting** DIN-rail, panel

General

- **LED Indicators** System: Power, System Status
LAN: Speed, Link/Active
Serial: TX, RX

Power

- **Power Input** 2 x Unregulated 12 ~ 48 V_{DC}
- **Power Connector** Terminal block
- **Power Consumption** EKI-1221: 2W
EKI-1222: 2.5W
EKI-1224: 4W
- **Power Line Protection** 1 KV burst (EN61000-4-4)
0.5 KV surge (EN61000-4-5)

Environment

- **Operating Temperature** 0 ~ 60° C (32 ~ 140° F)
- **Storage Temperature** -20 ~ 85° C (-4 ~ 185° F)
- **Operating Humidity** 20 ~ 95% (non-condensing)
- **Storage Humidity** 0 ~ 95% (non-condensing)

Regulatory Approvals

- **EMC** CE, FCC Part 15 Subpart B Class A
- **Safety** UL (UL60950-1)

Ordering Information

- **EKI-1221** 1-port Modbus Data Gateway
- **EKI-1222** 2-port Modbus Data Gateway
- **EKI-1224** 4-port Modbus Data Gateway

EKI-1221D

EKI-1222D

1-port Modbus Gateway with
Integrated Ethernet Cascading

2-port Modbus Gateway with
Integrated Ethernet Cascading



Features

- Provides 2 x 10/100 Mbps Ethernet ports for Daisy-Chain connectivity
- Integration of Modbus TCP and Modbus RTU/ASCII networks
- Supports Ethernet auto-bypass function
- Master mode supports 32 TCP slaves at the same time
- Slave mode supports up to 16 TCP masters
- Supports mapping Modbus slave ID option
- Auto searching Modbus slave ID over configuration utility
- Mounts on DIN-rail and Wall mount
- Class I, Division 2 certification

Introduction

The EKI-1200 series Modbus gateways are bi-directional gateways for integrating new and existing Modbus/RTU and Modbus/ASCII serial devices to newer TCP/IP network-based devices. The EKI-1221D/1222D feature two Ethernet ports with one IP address for easier network wiring. One port can be used to connect to the network, and the other port can be used to connect to another Ethernet device or another EKI-1221D/1222D. They provide a simple and cost-effective way to bring the advantage of remote management and data accessibility to thousand of devices that can not connect to a network. The EKI-1221D/1222D provide a feature that can allow users to select master or slave operation mode for each serial port. They not only allow an Ethernet master to control serial slaves, but also allow serial masters to control Ethernet slaves.

Specifications

Ethernet Communications

- **Compatibility** IEEE 802.3, IEEE 802.3u
- **Speed** 10/100 Mbps
- **No. of Ports** 2
- **Port Connector** 8-pin RJ45
- **Protection** Built-in 1.5 KV magnetic isolation

Serial Communications

- **Port Type** RS-232/422/485, software selectable
- **No. of Ports** EKI-1221D: 1
EKI-1222D: 2
- **Port Connector** DB9 male
- **Data Bits** 7, 8
- **Stop Bits** 1, 2
- **Parity** None, Odd, Even, Space, Mark
- **Flow Control** XON/XOFF, RTS/CTS, DTR/DSR
- **Baud Rate** 50 bps ~ 921.6 kbps, any baud rate setting
- **Serial Signals** RS-232: TxD, RxD, CTS, RTS, DTR, DSR, DCD, RI, GND
RS-422: TxD+, TxD-, RxD+, RxD-, GND
RS-485: Data+, Data-, GND
- **Protection** 15 KV ESD for all signals

Software

- **OS Support** 32-bit/64-bit Windows XP/Vista/7/8, Windows Server 2003/2008/2008 R2/2012, Windows CE 5.0, and Linux
- **Utility Software** Advantech EKI Device Configuration Utility
- **Operation Modes** Modbus RTU Master/Slave mode
Modbus ASCII Master/Slave mode
- **Configuration** Windows Utility, Web Browser
- **Protocols** Modbus RTU, Modbus TCP, Modbus ASCII

General

- **LED Indicators** System: Power, System Status
LAN: Speed, Link/Active
Serial: Tx, Rx
- **Reboot Trigger** Built-in WDT (watchdog timer)

Mechanics

- **Dimensions (W x H x D)** 37 x 140 x 95 mm (1.46" x 5.51" x 3.74")
- **Enclosure** Metal with solid mounting hardware
- **Mounting** DIN-rail, Wall
- **Weight** EKI-1221D: 0.58 Kg
EKI-1222D: 0.588 Kg

Power Requirements

- **Power Input** 12 ~ 48 V_{DC}, redundant dual inputs
- **Power Connector** Terminal block
- **Power Consumption** EKI-1221D: 2 W
EKI-1222D: 2.5 W

Environment

- **Operating Temperature** -10 ~ 60°C (14 ~ 140°F)
- **Storage Temperature** -20 ~ 80°C (-4 ~ 176°F)
- **Operating Humidity** 5 ~ 95% RH

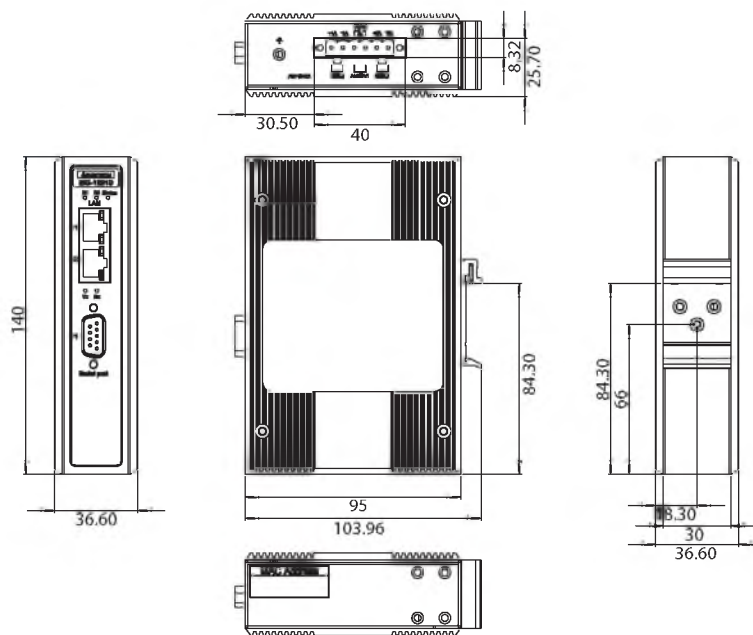
Regulatory Approvals

- **EMC** EN 55022, EN 55011, EN 61000-6-4, IEC 61000-4-2/3/4/5/6/8, FCC 47 CFR Part 15 Subpart B (Class A)
- **Hazardous Location** Class I, Division 2

Dimensions

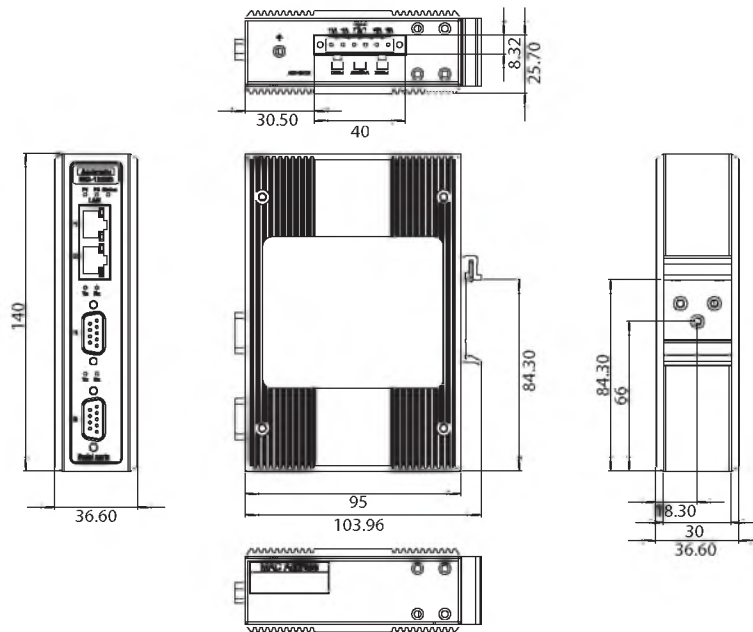
Unit: mm [inch]

EKI-1221D



Panel Cut-out Dimensions: 103.96 x 140 x 36.60 mm

EKI-1222D



Panel Cut-out Dimensions: 103.96 x 140 x 36.60 mm

Ordering Information

- **EKI-1221D** 1-port Modbus Gateway with Ethernet Cascading
 - **EKI-1222D** 2-port Modbus Gateway with Ethernet Cascading
- * All items include 1 pc OPT1-DB9 D-Sub9 to Terminal Converter
- **OPT1-DB9** D-Sub9 to Terminal Converter

EKI-1321

EKI-1322

1-port RS-232/422/485 to GPRS
IP Gateway

2-port RS-232/422/485 to GPRS
IP Gateway



Features

- Universal quad-band GSM/GPRS 850/900/1800/1900 MHz
- Dual SIM for telecom redundancy
- SD slot with extra SD card for data buffering
- Connect Ethernet and Serial Devices over VPN
- Various operation modes: COM port redirector, RVCOM, TCP, UDP, SMS tunnel, and pair connection
- Any baud rate setting for easy configuration
- Built-in 15 KV ESD protection for all serial signals
- 1.5 KV isolation protection (EKI-1321)
- 2 digital inputs (EKI-1321)
- Multiple configuration methods: Windows utility, Telnet, and Web console
- Supports 32-bit/64-bit Windows 2000/XP/Vista/7, Windows Server 2003/2008, Windows CE 5.0, and Linux

Introduction

EKI-1321 and EKI-1322 are cellular gateways that can transparently bring RS-232/422/485 or Ethernet devices to a cellular network. They allow nearly any device with serial or Ethernet ports to connect and share a cellular network with easy and simple configuration. EKI-1321 and EKI-1322 GPRS IP Gateway's are compact, and can be DIN-rail or wall mounted and with both front panel and side panel LED displays for easy identification. They come with dual DC power input from 12 to 48 V_{DC} and have 2 KV EFT/Surge protection to prevent damage from various type of power resources. The serial ports are also protected by 15 KV ESD line protection to keep your system safe from unexpected electrical discharges. Both models support dual SIM slots to support GPRS signal redundancy to switch to an available channel automatically while the existing one is disconnected, and SD card slot for data buffering to prevent loss of serial data while the communication is interrupted.

Specifications

LAN Interface

- **Ethernet** 10/100 Mbps, auto MDI/MDIX
- **Connector** RJ45
- **Protection** 1.5 KV built-in magnetic isolation protection

Cellular Interface

- **Standards** GSM/GPRS
- **Band Option** Quad-band 850/900 and 1800/1900 MHz
- **GPRS Multi-Slot** Class 10
- **GPRS Terminal Device** Class B
- **GPRS Coding Schemes** CS1 – CS4
- **Tx Power** 1 W for GSM 1800/1900, 2 W for EGSM 850/900
- **No. of SIM** 2
- **SIM Control** 3 V

Serial Communications

- **Port Type** RS-232/422/485, software selectable
- **No. of Ports** EKI-1321: 1, 2 KV isolation protection
EKI-1322: 2
- **Port Connector** DB9 male
- **Data Bits** 5, 6, 7, 8
- **Stop Bits** 1, 1.5, 2
- **Parity** None, Odd, Even, Space, Mark
- **Baud Rates** 75 bps to 921.6 kbps, any baud rate setting
- **Serial Signals** RS-232: TxD, RxD, CTS, RTS, DTR, DSR, DCD, RI, GND
RS-422: TxD+, TxD-, RxD+, RxD-, GND
RS-485: Data+, Data-, GND
- **Protection** 15 KV ESD for all signals

Relay Output

- **Channel** 1
- **Contact Rating** 0.5 A @ 120 V_{AC}
0.25 A @ 240 V_{AC}
2 A @ 30 V_{DC}
- **Relay off Time(Typ.)** 4 ms
- **Relay on Time(Typ.)** 3 ms

Digital Input (EKI-1321)

- **Channel** 2
- **Input Level** Logic level 0: 1 V Maximum
Logic level 1: 3 – 30 V

General

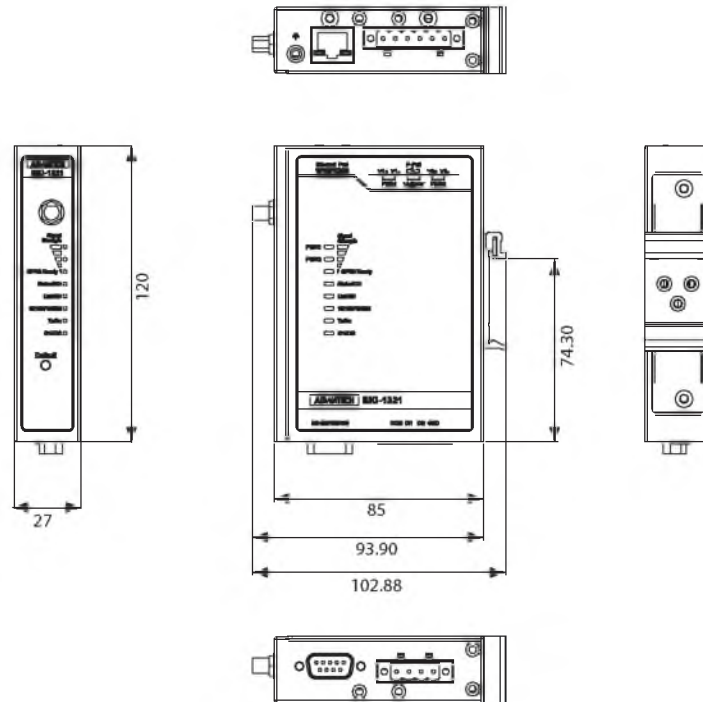
- **LED Indicators** System: Power, System Status
GPRS: Quality, GPRS ready
Serial: Tx, Rx
- **Reboot Trigger** Built-in WDT (watchdog timer)

Software

- **Driver Support** 32-bit/64-bit Windows 2000/XP/Vista/7, Windows Server 2003/2008, Windows CE 5.0, and Linux
- **Utility Software** Advantech Serial Device Server Configuration Utility
- **Operating Modes** Virtual COM, Reverse Virtual COM, TCP/UDP server mode, TCP/UDP client mode, Pair connection mode (Serial Tunnel), RFC2217, SMS Tunnel, IP Gateway w/ VPN
- **Configuration** Windows utility, Telnet console, Web Browser
- **Protocols** ICMP, TCP/IP, UDP, DHCP Client, Telnet, DNS, SNMP, HTTP, HTTPS, SMTP, Sntp, ARP, SSL
- **Router/Firewall** NAT, port forwarding

Dimensions

Unit: mm



Mechanics

- **Dimensions (W x H x D)** 27 x 120 x 85 mm (1.06" x 4.72" x 3.35")
- **Enclosure** Metal with solid mounting hardware
- **Mounting** DIN-rail, Wall
- **Weight** 0.49 Kg

Power Requirements

- **Power Input** 12 ~ 48 V_{DC}, redundant dual inputs
- **Power Connector** Terminal block
- **Power Consumption** EKI-1321: 6 W, EKI-1322: 6.5 W
- **Power EFT/Surge Prot.** 2 KV

Environment

- **Operating Temperature** -30 ~ 65°C (-22 ~ 149°F)
- **Storage Temperature** -40 ~ 75°C (-40 ~ 167°F)
- **Operating Humidity** 5 ~ 95% RH

Regulatory Approvals

- **EMC** CE: EN55022/EN55024, Class A
FCC: FCC part 15 subpart B, Class A
- **RF** FCC Part22H/Part24E, EN301 489-1, EN301 489-7,
EN301 511

Ordering Information

- **EKI-1321** 1-port GPRS IP Gateway
- **EKI-1322** 2-port GPRS IP Gateway
- **OPT1-DB9** D-Sub 9 to Terminal Converter

EKI-1361

EKI-1362

1-port RS-232/422/485 to 802.11b/g/n WLAN Serial Device Server

2-port RS-232/422/485 to 802.11b/g/n WLAN Serial Device Server



Features

- Link any serial device to an IEEE 802.11b/g/n network
- Support 802.11n MIMO 2T2R
- WLAN transmission rate up to 300 Mbps
- Supports secure access with WEP, WPA/WPA2-Personal, WPA/WPA2-Enterprise
- Provides COM port redirection, TCP, UDP, and pair connection modes
- Supports up to 921.6 kbps, and any baud rate setting
- Provides Web-based configuration and Windows utility
- Allows a max. of 5 hosts to access one serial port
- Allows a max. of 4 hosts to be accessed as TCP client mode

Introduction

EKI-1361 and EKI-1362 wireless serial device servers bring RS-232/422/485 to wireless LAN or LAN. They allow nearly any device with serial ports to connect and share an WLAN network. EKI-1361 and EKI-1362 provide a quick, simple and cost-effective way to bring the advantages of remote management and data accessibility to thousands of devices that cannot connect to a network.

With EKI-1361 and EKI-1362, your existing serial devices can be used with the most popular operating systems on the market. There is no need to write special drivers for specific operating systems. Moreover, you can make serial devices communicate with other devices peer-to-peer, without any intermediate host PCs and software programming. That saves a lot of cost and effort. In addition, you can actively request data or issue commands from the RS-232/422/485 side or wireless LAN side. This data can be sent bilaterally. Thus, the EKI-1361 and EKI-1362 are especially suitable for remote monitoring environments such as security systems, factory automaton, SCADA, transportation and more.

Specifications

Ethernet Communications

- **Port Type** RJ45
- **No. of Ports** 1
- **Speed** 10/100/1000 Mbps

Wireless LAN Communications

- **Compatibility** IEEE 802.11b/g/n
- **Speed** Up to 300Mbps
- **Network Mode** Infrastructure, Ad-hoc
- **Antenna Connector** Reverse SMA
- **No. of Antenna** 2 (support 2T2R)
- **Free Space Range** Open space 100 m
- **Wireless Security** WEP, WPA/WPA2-Personal, WPA/WPA2-Enterprise

Serial Communications

- **Port Type** RS-232/422/485, software selectable
- **No. of Ports** EKI-1361: 1
EKI-1362: 2
- **Port Connector** DB9 male
- **Data Bits** 5, 6, 7, 8
- **Stop Bits** 1, 1.5, 2
- **Parity** None, Odd, Even, Space, Mark
- **Baud Rate** 50 bps ~ 921.6 kbps, any baud rate setting
- **Serial Signals** RS-232: TxD, RxD, CTS, RTS, DTR, DSR, DCD, RI, GND
RS-422: TxD+, TxD-, RxD+, RxD-, GND
RS-485: Data+, Data-, GND
- **Protection** 15 KV ESD for all signals

Software

- **OS Support** 32-bit/64-bit Windows XP/Vista/7/8, Windows Server 2003/2008/2008 R2/2012, Windows CE 5.0, and Linux
- **Utility Software** Advantech EKI Device Configuration Utility
- **Operation Modes** COM port redirection mode (Virtual COM)
TCP/UDP server (polling) mode
TCP/UDP client (event handling) mode
Pair connection without AP (peer to peer) mode
- **Configuration** Windows utility, Telnet console, Web Browser
- **Protocol** ARP, ICMP, IPv4, IPv6, TCP, UDP, BOOTP, DHCP Client, Auto IP, Telnet, DNS, SNMP, HTTP, SMTP, SNTIP

Mechanics

- **Enclosure** Plastic and metal shell with solid mounting kits
- **Mounting** DIN-rail, Wall
- **Dimensions (W x H x D)** 28.5 x 120 x 85.3 mm (1.12" x 4.72" x 3.36")
- **Weight** 0.5 Kg

General

- **LED Indicators** System: Power, System Status
WLAN: Quality, Link/Active
LAN: Link/Active
Serial: Tx, Rx
- **Reboot Trigger** Built-in WDT (watchdog timer)

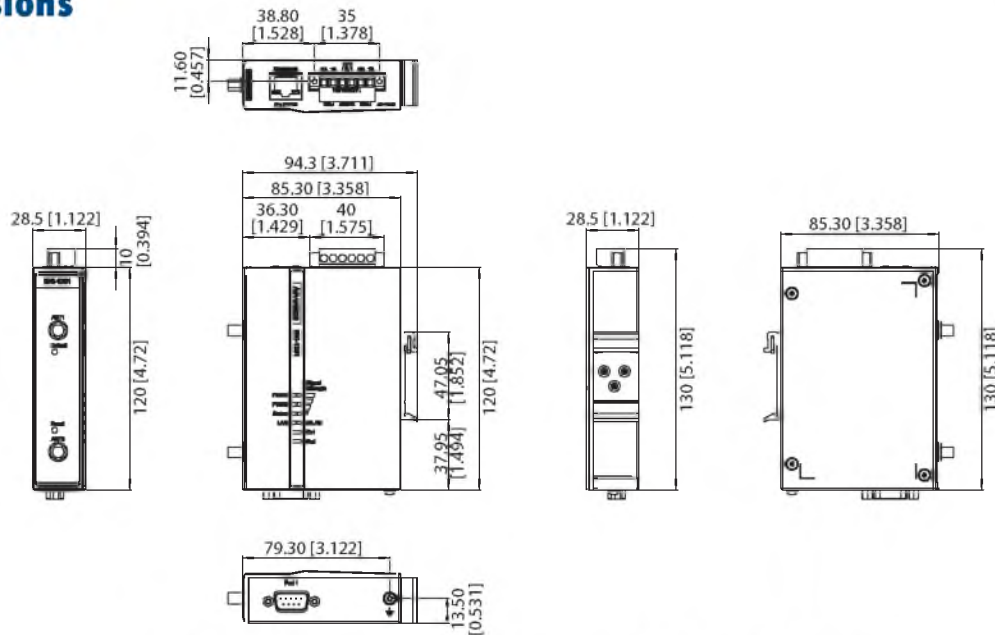
Power Requirements

- **Power Input** 12 ~ 48 V_{DC}, redundant dual inputs
- **Power Connector** Terminal block
- **Power Consumption** EKI-1361: 8W
EKI-1362: 9W

Dimensions

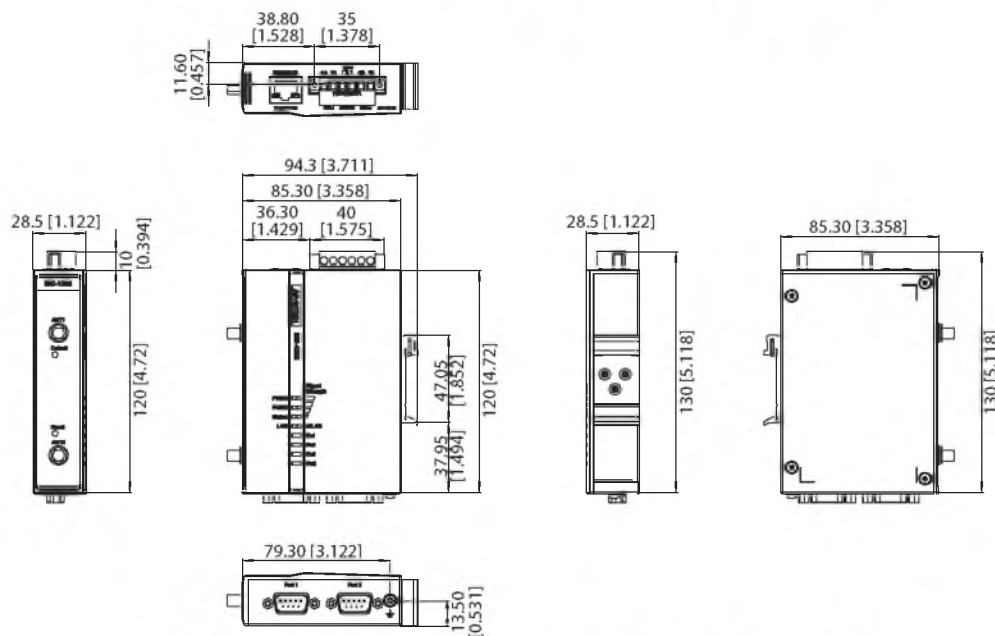
Unit: mm [inch]

EKI-1361



Panel Cut-out Dimensions: 94.3 x 120 x 28.5 mm (3.711" x 4.724" x 1.122")

EKI-1362



Panel Cut-out Dimensions: 94.3 x 120 x 28.5 mm (3.711" x 4.724" x 1.122")

Environment

- **Operating Temperature** -30 ~ 65°C (-22 ~ 149°F)
- **Storage Temperature** -40 ~ 80°C (-40 ~ 176°F)
- **Operating Humidity** 5 ~ 95% RH

Regulatory Approvals

- **EMC** CE, FCC Part 15 Subpart B (Class B)

Ordering Information

- **EKI-1361** 1-port 802.11b/g/n WLAN Serial Device Server
- **EKI-1362** 2-port 802.11b/g/n WLAN Serial Device Server
- **OPT1-DB9** D-Sub9 to Terminal Converter

EKI-1521

EKI-1522

1-port RS-232/422/485 Serial Device Server

2-port RS-232/422/485 Serial Device Server

NEW



CE FCC

Features

- Supports 2 x 10/100Base-T redundant Ethernet networking
- Provides COM port redirection (Virtual COMport), TCP and UDP modes
- Supports baud rate up to 921 kbps
- Allows a max of 5 hosts to access one serial port
- Supports an advanced security mechanism to avoid unauthorized access
- Allows a max of 16 hosts to access TCP client and command response mode
- Download and testing utility: Easy to download firmware and self-diagnosis
- Easily manage Port Mapping and configuration utility for Win2000/XP/Vista
- Mounts on DIN-rail, or panel
- Automatic RS-485 data flow control

Introduction

EKI-1521 and EKI-1522 feature two independent Ethernet ports and MAC addresses to provide a redundant networking mechanism to guarantee Ethernet networking reliability. EKI-1521 and EKI-1522 are serial device servers that connect RS-232/422/485 serial devices, such as PLC, meters, sensors, and bar code reader to an IP-based Ethernet LAN. They allow nearly any device with serial ports to connect and share an Ethernet network. EKI-1521 and EKI-1522 provide various operations: COM port redirection (Virtual COMport), TCP Server, IP Client and UDP mode. With COM port redirection mode, standard serial operation calls are transparently redirected to the EKI-1521 and EKI-1522, guaranteeing compatibility with legacy serial devices and enabling backward compatibility with existing software. With TCP server, TCP client, and UDP modes, EKI-1521 and EKI-1522 ensures the compatibility of network software that uses a standard network API. Moreover, you can make serial devices communicate with other devices peer-to-peer, without any intermediate host PCs and software programming.

Specifications

Ethernet Communications

- **Compatibility** IEEE802.3, IEEE802.3u
- **Speed** 10/100Mbps
- **Connectors** 2 x RJ-45

Serial Communications

- **Type** RS-232/422/485
- **Connectors** EKI-1521: 1 x DB9
EKI-1522: 2 x DB9
- **Ports** EKI-1521: 1
EKI-1522: 2
- **Data Bits** 5, 6, 7, 8
- **Stop Bits** 1, 1.5, 2
- **Parity Bits** Odd, even, none, space, mark
- **Baud Rate** 50bps ~ 921kbps
2 ports up to 460k bps simultaneously
- **Data Signals** RS-232: TxD, RxD, CTS, RTS, DTR, DSR, DCD, RI, GND
RS-422: TxD+, TxD-, RxD+, RxD-, GND
RS-485: Data+, Data-, GND

Software

- **Driver Supported** 2000/XP/Vista(x86)
- **Utility Software** Advantech Serial Device Server Configuration Utility
- **Operation Modes** COM port redirection mode (virtual COM port)
TCP Server (polling) mode
TCP Client (event handling) mode
Pair connection (Peer to Peer)

Mechanics

- **Dimensions (W x H x D)** 37 x 140 x 95 mm
- **Enclosure** Metal with solid mounting hardware
- **Mounting** DIN-rail, panel

General

- **Certifications** CE, FCC class A
- **LED Indicators** System: Power, status
LAN: Speed, Link/Active
Serial: TX, RX

Power

- **Power Input** 2 x Unregulated 12 ~ 48 V_{DC}
- **Power Consumption** EKI-1521: 2 W
EKI-1522: 2.5 W

Protection

- **Serial Protection** 15 KV ESD
- **Ethernet Protection** Built-in 1.5 KV magnetic isolation

Environment

- **Operating Temperature** 0 ~ 60° C (32 ~ 140° F)
- **Storage Temperature** -20 ~ 80° C (-4 ~ 176° F)
- **Operating Humidity** 20 ~ 95% (non-condensing)
- **Storage Humidity** 0 ~ 95% (non-condensing)

Ordering Information

- **EKI-1521** 1-port RS-232/422/485 Serial Device Server
- **EKI-1522** 2-port RS-232/422/485 Serial Device Server

EKI-1524

4-port RS-232/422/485 Serial Device Server

NEW



CE FCC

Features

- Supports 2 x 10/100Base-T redundant Ethernet network
- Provides COM port redirection (Virtual COMport), TCP and UDP modes
- Supports baud rate up to 921 kbps
- Allows a max of 5 hosts to access one serial port
- Supports an advanced security mechanism to avoid unauthorized access
- Allows a max of 8 hosts to access TCP client and command response mode
- Download and testing utility: Easy to download firmware and self-diagnosis
- Easily manage Port Mapping and configuration utility for Win2000/XP/Vista
- Mounts on DIN-rail, or panel
- Automatic RS-485 data flow control

Introduction

EKI-1524 feature two independent Ethernet ports and MAC addresses to provide a redundant networking mechanism to guarantee Ethernet networking reliability. The EKI-1524 is a network-based, serial device server for connecting four RS-232/422/485 devices, such as CNCs, PLCs, scales, and scanners, directly to a TCP/IP network. Once connected through EKI-1524 device server, your serial device will be able to send and receive data on a network like any other network device. EKI-1524 provide a simple and cost-effective way to bring the advantages of remote management and data accessibility to thousand of devices that can not connect to a network.

EKI-series device server provide various operations: COM port redirection (Virtual COM port), TCP server Client and UDP mode. After Advantech redirection software installation, standard serial operating calls are transparently redirected to the EKI- series device server, guaranteeing compatibility with legacy serial devices and enabling backward compatibility with existing software. EKI-1524 also support serial tunneling, allowing two native serial devices to communicate over a network.

Specifications

Ethernet Communications

- **Compatibility** IEEE802.3, IEEE802.3u
- **Speed** 10/100Mbps
- **Connectors** 2 x RJ-45

Serial Communications

- **Type** RS-232/422/485
- **Connectors** 4 x DB9
- **Ports** 4
- **Data Bits** 5, 6, 7, 8
- **Stop Bits** 1, 1.5, 2
- **Parity Bits** Odd, even, none, space, mark
- **Baud Rate** 50bps ~ 921kbps
4 port up to 230k bps simultaneously
- **Data Signals** RS-232: TxD, RxD, CTS, RTS, DTR, DSR, DCD, RI, GND
RS-422: TxD+, TxD-, RxD+, RxD-, GND
RS-485: Data+, Data-, GND

Software

- **Driver Supported** 2000/XP/Vista(x86)
- **Utility Software** Advantech Serial Device Server Configuration Utility
- **Operation Modes** COM port redirection mode (virtual COM port)
TCP Server (polling) mode
TCP Client (event handling) mode
Pair connection (Peer to Peer)

Mechanics

- **Dimensions (W x H x D)** 55 x 140 x 95 mm
- **Enclosure** Metal with solid mounting hardware
- **Mounting** DIN-rail, panel

General

- **Certifications** CE, FCC class A
- **LED Indicators** System: Power, status
LAN: Speed, Link/Active
Serial: TX, RX

Power

- **Power Input** 2 x Unregulated 12 ~ 48 V_{DC}
- **Power Consumption** 4 W

Protection

- **Serial Protection** 15 KV ESD
- **Ethernet Protection** Built-in 1.5 KV magnetic isolation

Environment

- **Operating Temperature** 0 ~ 60° C (32 ~ 140° F)
- **Storage Temperature** -20 ~ 80° C (-4 ~ 176° F)
- **Operating Humidity** 20 ~ 95% (non-condensing)
- **Storage Humidity** 0 ~ 95% (non-condensing)

Ordering Information

- **EKI-1524** 4-port RS-232/422/485 Serial Device Server

EKI-1351

EKI-1352

1-port RS-232/422/485 to 802.11b/g WLAN
Serial Device Server

2-port RS-232/422/485 to 802.11b/g WLAN
Serial Device Server



Features

- Link any serial device to an IEEE 802.11b/g network
- Supports wireless LAN Ad-Hoc and Infrastructure modes
- Provides COM port redirection, TCP, UDP, and pair connection modes
- Supports up to 921.6 kbps, and any baud rate setting
- Provides Web-based configuration and Windows utility
- Allows a max. of 5 hosts to access one serial port
- Allows a max. of 4 hosts to be accessed as TCP client mode
- Built-in 15 KV ESD protection for all serial signals
- Supports DHCP protocol
- Supports secure access with WEP, WPA, WPA2

Introduction

EKI-1351 and EKI-1352 are wireless serial device servers that bring RS-232/422/485 to wireless Ethernet. They allow nearly any device with serial ports to connect and share an Wireless Ethernet network. EKI-1351 and EKI-1352 provide a quick, simple and cost-effective way to bring the advantages of remote management and data accessibility to thousands of devices that cannot connect to a network.

With EKI-1351 and EKI-1352, your existing serial devices can be used with the most popular operating systems on the market. There is no need to write special drivers for specific operating systems. Moreover, you can make serial devices communicate with other devices peer-to-peer, without any intermediate host PCs and software programming. That saves a lot of cost and effort. In addition, you can actively request data or issue commands from the RS-232/422/485 side or Wireless Ethernet side. This data can be sent bilaterally. Thus, the EKI-1351 and EKI-1352 are especially suitable for remote monitoring environments such as security systems, factory automaton, SCADA, transportation and more.

Specifications

Ethernet Communications

- **Compatibility** IEEE 802.11b, IEEE 802.11g
- **Speed** 11/54 Mbps
- **Network Mode** Infrastructure, Ad-Hoc
- **Antenna Connector** Reverse SMA
- **Free Space Range** Open space 100 m
- **Wireless Security** WEP, WPA, WPA2

Serial Communications

- **Port Type** RS-232/422/485, software selectable
- **No. of Ports** EKI-1351: 1
EKI-1352: 2
- **Port Connector** DB9 male
- **Data Bits** 5, 6, 7, 8
- **Stop Bits** 1, 1.5, 2
- **Parity** None, Odd, Even, Space, Mark
- **Baud Rate** 50 bps ~ 921.6 kbps, any baud rate setting
- **Serial Signals** RS-232: TxD, RxD, CTS, RTS, DTR, DSR, DCD, RI, GND
RS-422: TxD+, TxD-, RxD+, RxD-, GND
RS-485: Data+, Data-, GND
- **Protection** 15 KV ESD for all signals

Software

- **OS Support** 32-bit/64-bit Windows XP/Vista/7/8, Windows Server 2003/2008/2008 R2/2012, Windows CE 5.0, and Linux
- **Utility Software** Advantech EKI Device Configuration Utility
- **Operation Modes** COM port redirection mode (Virtual COM)
TCP/UDP server (polling) mode
TCP/UDP client (event handling) mode
Pair connection without AP (peer to peer) mode
- **Configuration** Windows utility, Telnet console, Web Browser
- **Protocol** ARP, ICMP, IP, TCP, UDP, BOOTP, DHCP Client, Auto IP, Telnet, SNMP, HTTP, DNS, SMTP

Mechanics

- **Dimensions (W x H x D)** 37 x 140 x 95 mm (1.46" x 5.51" x 3.74")
- **Enclosure** Metal with solid mounting hardware
- **Mounting** DIN-rail, Wall
- **Weight** EKI-1351: 0.595 Kg
EKI-1352: 0.603 Kg

General

- **LED Indicators** System: Power, System Status
WLAN: Quality, Fail, Link/Active
Serial: Tx, Rx
- **Reboot Trigger** Built-in WDT (watchdog timer)

Power Requirements

- **Power Input** 12 ~ 48 V_{DC}, redundant dual inputs
- **Power Connector** Terminal block
- **Power Consumption** EKI-1351: 3.5 W
EKI-1352: 4 W

Environment

- **Operating Temperature** 0 ~ 50°C (32 ~ 122°F)
- **Storage Temperature** -20 ~ 80°C (-4 ~ 176°F)
- **Operating Humidity** 5 ~ 95% RH

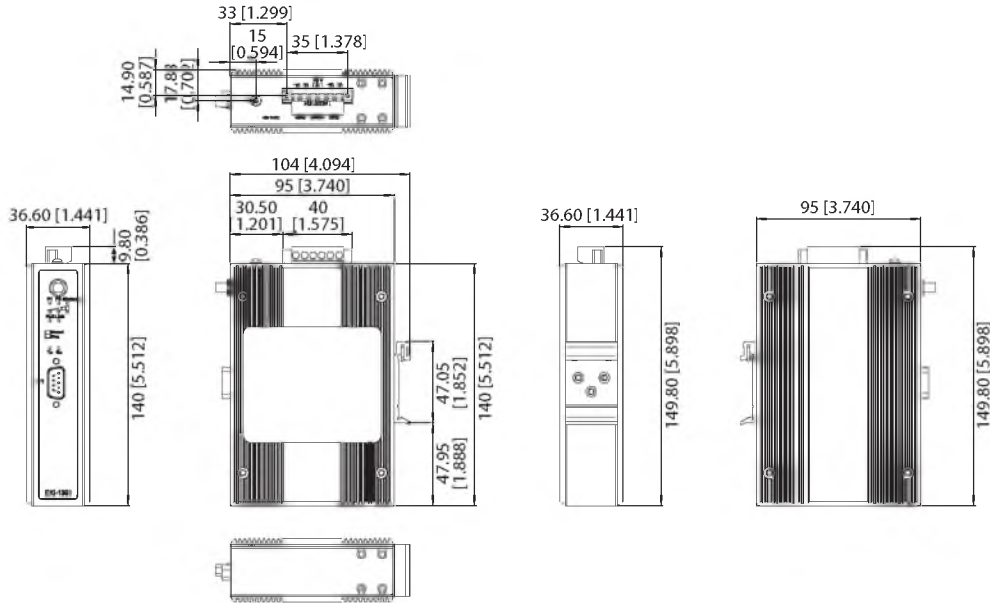
Regulatory Approvals

- **EMC** CE, FCC Part 15 Subpart B (Class B)
- **Safety** UL/cUL 60950-1
- **Hazardous Location** Class I, Division 2

Dimensions

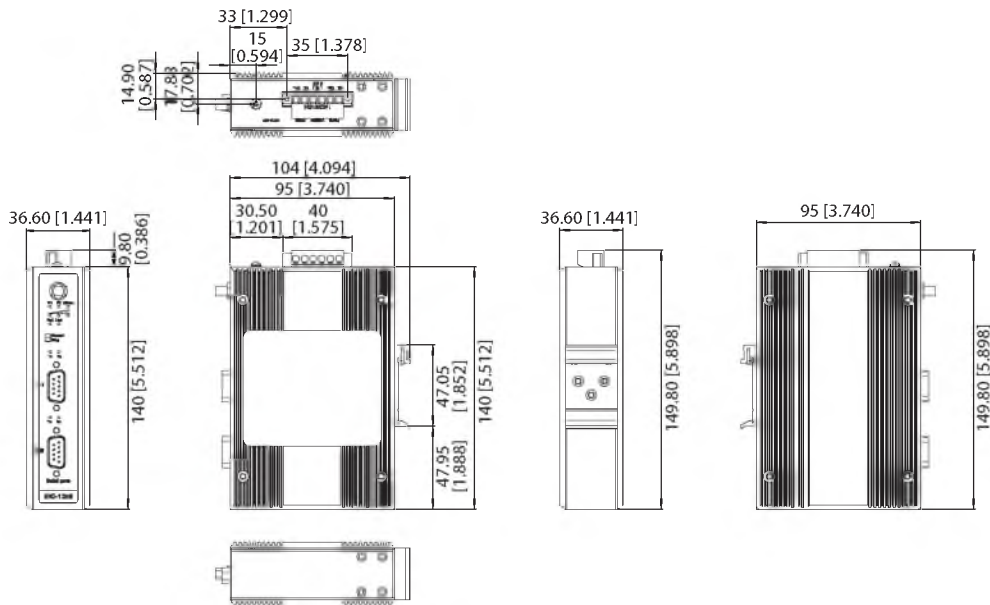
Unit: mm [inch]

EKI-1351



Panel Cut-out Dimensions: 104 x 140 x 36.6 mm (4.094" x 5.512" x 1.441")

EKI-1352



Panel Cut-out Dimensions: 104 x 140 x 36.6 mm (4.094" x 5.512" x 1.441")

Ordering Information

- EKI-1351 1-port 802.11b/g WLAN Serial Device Server
- EKI-1352 2-port 802.11b/g WLAN Serial Device Server
- OPT1-DB9 D-Sub9 to Terminal Converter

EKI-1528/T

EKI-1526/T

8-port RS-232/422/485 Serial Device Server

16-port RS-232/422/485 Serial Device Server



Features

- 8 or 16-port RS-232/422/485 serial communication
- Provides 2 x 10/100 Mbps Ethernet ports for LAN redundancy
- Supports up to 921.6 kbps, and any baud rate setting
- Provides COM port redirection (Virtual COM), TCP and UDP operation modes
- Provides rich configuration methods: Windows utility, Telnet console, Web Browser, and serial console
- Built-in 15 KV ESD protection for all serial signals
- SNMP MIB-II for network management
- Built-in buzzer for easy location
- Standard 1U rackmount size
- Rear wiring
- Automatic RS-485 data flow control

Introduction

The EKI-1528 and EKI-1526 are industrial-grade network-based serial device servers for connecting up to 8 or 16 serial RS-232/422/485 devices, such as CNCs, PLCs, scales and scanners, directly to a TCP/IP network. The EKI-1528 and EKI-1526 feature two independent Ethernet ports and MAC addresses to provide a redundant network mechanism to guarantee Ethernet network reliability. The EKI-1528 and EKI-1526 provide a simple and cost-effective way to bring the advantages of remote management and data accessibility to thousand of devices that can't connect to an Ethernet network. The EKI-1528 and EKI-1526 offer multiple ways to configure through Windows utility, Web Browser, serial console or Telnet console, these methods make it easy manage many EKI-1528 and EKI-1526 or serial devices on your network.

Specifications

Ethernet Communications

- **Compatibility** IEEE 802.3, IEEE 802.3u
- **Speed** 10/100 Mbps, auto MDI/MDIX
- **No. of Ports** 2
- **Port Connector** 8-pin RJ45
- **Protection** Built-in 1.5 KV magnetic isolation

Serial Communications

- **Port Type** RS-232/422/485, software selectable
- **No. of Ports** EKI-1528/EKI-1528T: 8
EKI-1526/EKI-1526T: 16
- **Port Connector** 8-pin RJ45
- **Data Bits** 5, 6, 7, 8
- **Stop Bits** 1, 1.5, 2
- **Parity** None, Odd, Even, Space, Mark
- **Flow Control** XON/XOFF, RTS/CTS, DTR/DSR
- **Baud Rate** 50 bps ~ 921.6 kbps, any baud rate setting
16 ports up to 230.4 kbps simultaneously
- **Serial Signals** RS-232: TxD, RxD, CTS, RTS, DTR, DSR, DCD, GND
RS-422: TxD+, TxD-, RxD+, RxD-, GND
RS-485: Data+, Data-, GND
- **Protection** 15 KV ESD for all signals

Software

- **OS Support** 32-bit/64-bit Windows XP/Vista/7/8, Windows Server 2003/2008/2008 R2/2012, Windows CE 5.0, and Linux
- **Utility Software** Advantech EKI Device Configuration Utility
- **Operation Modes** COM port redirection mode (Virtual COM)
TCP/UDP server (polling) mode
TCP/UDP client (event handling) mode
Pair connection (peer to peer) mode
RFC2217 mode

- **Configuration** Windows utility, Telnet console, Web Browser, serial console
- **Protocols** ARP, ICMP, IPv4, TCP, UDP, BOOTP/DHCP Client, Auto IP, Telnet, SNMP, HTTP, DNS, SMTP, NTP
- **Management** SNMP MIB-II

Mechanics

- **Dimensions (W x H x D)** 440 x 44 x 220 mm (17.32" x 1.73" x 8.66")
- **Enclosure** SECC chassis
- **Mounting** Rack

General

- **LED Indicators** System: Power, System Status
LAN: Speed, Link/Active
Serial: Tx, Rx
- **Alert Tools** Built-in buzzer and RTC (real time clock)
- **Reboot Trigger** Built-in WDT and push button for hardware reboot

Power Requirements

- **Power Input** EKI-1528/EKI-1526: 100 ~ 240 VAC , 47 ~ 63 Hz
EKI-1528T/EKI-1526T: 48 VDC, Terminal Block
- **Power Consumption** EKI-1528/EKI-1528T: 10 W
EKI-1526/EKI-1526T: 12 W

Environment

- **Operating Temperature** -10 ~ 60°C (14 ~ 140°F)
- **Storage Temperature** -20 ~ 80°C (-4 ~ 176°F)
- **Operating Humidity** 5 ~ 95% RH

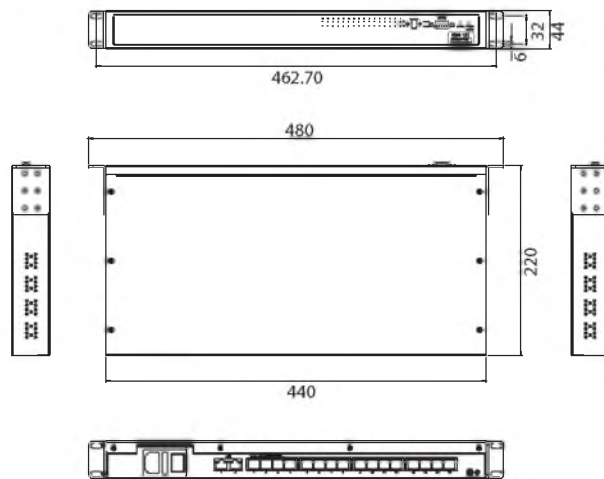
Regulatory Approvals

- **EMC** CE, FCC Part 15 Subpart B (Class A)

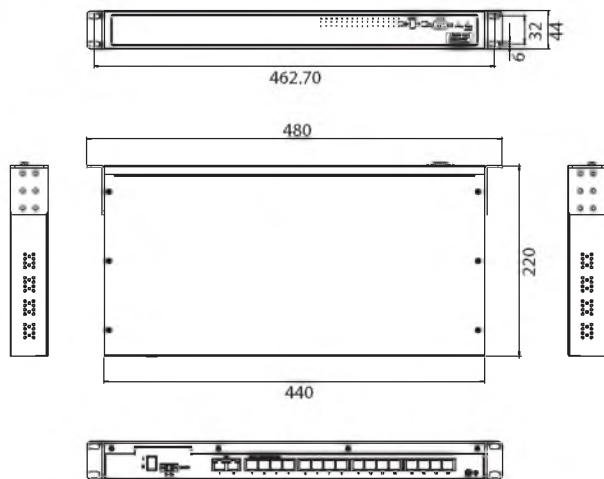
Dimensions

Unit: mm

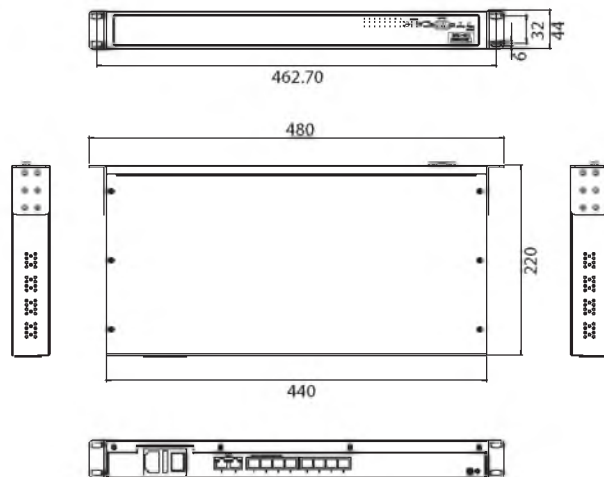
EKI-1526



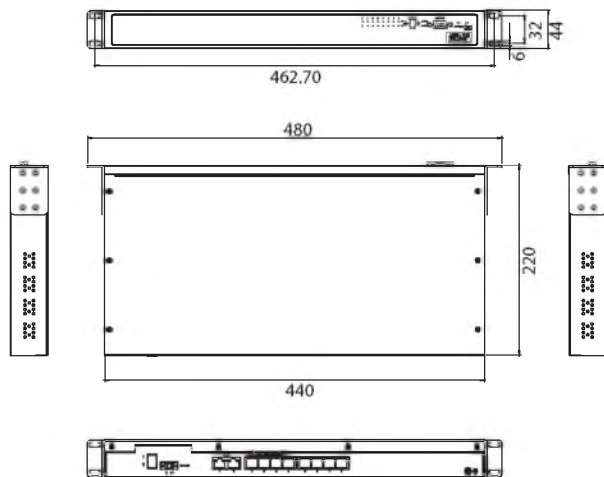
EKI-1526T



EKI-1528



EKI-1528T



Ordering Information

- **EKI-1528** 8-port RS-232/422/485 Serial Device Server
- **EKI-1526** 16-port RS-232/422/485 Serial Device Server
- **EKI-1528T-VDC** 8-port RS-232/422/485 Serial Device Server w/ DC Input
- **EKI-1526T-VDC** 16-port RS-232/422/485 Serial Device Server w/ DC Input

*All items include 1pc OPT1J

Accessories

- **OPT1I** 1 m RJ45 to DB9 Male Cable
- **OPT1J** 30 cm RJ45 to DB9 Male Cable
- **1702002600** Power Cable US Plug 1.8 m
- **1702002605** Power Cable EU Plug 1.8 m
- **1702031801** Power Cable UK Plug 1.8 m
- **1702031836** Power Cable China/Australia Plug 1.8 m

По вопросам продаж и поддержки обращайтесь:

Архангельск (8182)63-90-72
Астана +7(7172)727-132
Белгород (4722)40-23-64
Брянск (4832)59-03-52
Владивосток (423)249-28-31
Волгоград (844)278-03-48
Вологда (8172)26-41-59
Воронеж (473)204-51-73
Екатеринбург (343)384-55-89
Иваново (4932)77-34-06
Ижевск (3412)26-03-58
Казань (843)206-01-48

Калининград (4012)72-03-81
Калуга (4842)92-23-67
Кемерово (3842)65-04-62
Киров (8332)68-02-04
Краснодар (861)203-40-90
Красноярск (391)204-63-61
Курск (4712)77-13-04
Липецк (4742)52-20-81
Магнитогорск (3519)55-03-13
Москва (495)268-04-70
Мурманск (8152)59-64-93
Набережные Челны (8552)20-53-41

Нижний Новгород (831)429-08-12
Новокузнецк (3843)20-46-81
Новосибирск (383)227-86-73
Орел (4862)44-53-42
Оренбург (3532)37-68-04
Пенза (8412)22-31-16
Пермь (342)205-81-47
Ростов-на-Дону (863)308-18-15
Рязань (4912)46-61-64
Самара (846)206-03-16
Санкт-Петербург (812)309-46-40
Саратов (845)249-38-78

Смоленск (4812)29-41-54
Сочи (862)225-72-31
Ставрополь (8652)20-65-13
Тверь (4822)63-31-35
Томск (3822)98-41-53
Тула (4872)74-02-29
Тюмень (3452)66-21-18
Ульяновск (8422)24-23-59
Уфа (347)229-48-12
Челябинск (351)202-03-61
Череповец (8202)49-02-64
Ярославль (4852)69-52-93