

Промышленные преобразователи серии ЕКІ-2541, 2741, 3541

ТЕХНИЧЕСКИЕ ХАРАКТЕРИСТИКИ

По вопросам продаж и поддержки обращайтесь:

Архангельск (8182)63-90-72
Астана +7(7172)727-132
Белгород (4722)40-23-64
Брянск (4832)59-03-52
Владивосток (423)249-28-31
Волгоград (844)278-03-48
Вологда (8172)26-41-59
Воронеж (473)204-51-73
Екатеринбург (343)384-55-89
Иваново (4932)77-34-06
Ижевск (3412)26-03-58
Казань (843)206-01-48

Калининград (4012)72-03-81
Калуга (4842)92-23-67
Кемерово (3842)65-04-62
Киров (8332)68-02-04
Краснодар (861)203-40-90
Красноярск (391)204-63-61
Курск (4712)77-13-04
Липецк (4742)52-20-81
Магнитогорск (3519)55-03-13
Москва (495)268-04-70
Мурманск (8152)59-64-93
Набережные Челны (8552)20-53-41

Нижний Новгород (831)429-08-12
Новокузнецк (3843)20-46-81
Новосибирск (383)227-86-73
Орел (4862)44-53-42
Оренбург (3532)37-68-04
Пенза (8412)22-31-16
Пермь (342)205-81-47
Ростов-на-Дону (863)308-18-15
Рязань (4912)46-61-64
Самара (846)206-03-16
Санкт-Петербург (812)309-46-40
Саратов (845)249-38-78

Смоленск (4812)29-41-54
Сочи (862)225-72-31
Ставрополь (8652)20-65-13
Тверь (4822)63-31-35
Томск (3822)98-41-53
Тула (4872)74-02-29
Тюмень (3452)66-21-18
Ульяновск (8422)24-23-59
Уфа (347)229-48-12
Челябинск (351)202-03-61
Череповец (8202)49-02-64
Ярославль (4852)69-52-93

EKI-2741 Series

Industrial Gigabit Ethernet to Fiber Optic Converters



Features

- Provides 1 x 1000 Mbps Ethernet port with RJ45 connector
- Provides 1 x 1000 Mbps fiber port with SC or SFP (mini-GBIC) type connector for 1000Base-SX/LX device
- Provides DIP switch for full/half duplex setting
- Supports MDI/MDI-X auto crossover
- Supports auto-negotiation
- Supports surge (EFT) protection 3,000 V_{DC} for power line
- Supports 4,000 V_{DC} Ethernet ESD protection
- Supports +12-48 V_{DC} power input
- Provides flexible mounting: DIN-rail & Wallmounting
- Supports operating temperatures from -10 ~ 60° C
- Provides Link Fault Pass-through (LFP)

Introduction

EKI-2741 is designed to convert Gigabit Ethernet networks to Gigabit fiber networks by transparently converting Ethernet signals to optic signals. Therefore, EKI-2741 is an ideal solution for “fiber to building” applications at central offices or local sites. EKI-2741 supports MDI/MDIX auto detection, so you don't need to use crossover wires. Furthermore, the EKI-2741 accepts a wide voltage range from +12 ~ 48 V_{DC}. Besides, it also provides 3,000 V_{DC} surge (EFT) protection against over-voltage, so it is suitable for harsh operating environments.

EKI-2741 is an enhanced gigabit Ethernet to fiber-optic converter. Aside from its standard features, the versatile EKI-2741 also has the LFP (Link Fault Pass-through) feature. When one side of the link fails, the other side continues transmitting packets, and waiting for a response that never arrives from the disconnected side. EKI-2741 will force the link to shut down as soon as noticed that the other link has failed, giving the application software a chance to react to the situation.

Specifications

Communications

- **Standard** IEEE802.3, 802.3u, 802.3ab, 802.3x, IEEE 802.3z
- **LAN** 10/100/1000Base-TX, 1000Base-SX or 1000Base-LX
- **Transmission Distance** Ethernet : Up to 100m
Fiber :
Multi-mode : Up to 550 m
Single-mode : Up to 10km (2741LX) or 110km (2741F)
SFP: Up to 110km (2741F)
- **Transmission Speed** Up to 1000 Mbps

Interface

- **Connectors** 1 x RJ-45
1 x SC type fiber connector(EKI-2741SX/LX) or
1 x SFP type fiber connector (EKI-2741F)
6-pin removable screw terminal (power & relay)
- **LED Indicators** P1, P2, P-Fail
Fiber: LNK/ACT
Ethernet: 1000M, LNK/ACT
- **DIP Switch** Port Alarm, LFP

Power

- **Power Consumption** 5.28 W (EKI-2741F)
5.18 W (EKI-2741SX)
5.30 W (EKI-2741LX)
- **Power Input** 2 x Unregulated 12 ~ 48 V_{DC}

Mechanism

- **Dimensions (W x H x D)** 37 x 140 x 95 mm
- **Enclosure** IP30, Metal shell with solid mounting kits
- **Mounting** DIN-rail, Wall

Protection

- **ESD (Ethernet)** 4,000 V_{DC}
- **Surge (EFT for power)** 3,000 V_{DC}
- **Power Reverse** YES
- **Overload** YES

Environment

- **Operating Temperature** -10 ~ 60° C (14 ~ 140° F)
Wide Temp Model -40 ~ 75° C (-40~167° F)
- **Storage Temperature** -40~85° C (-40~185° F)
- **Operating Humidity** 5 ~ 95% (non-condensing)
- **Storage Humidity** 0 ~ 95% (non-condensing)
- **MTBF** 515,600 hrs (EKI-2741F) 525,300 hrs(EKI-2741SX/LX)

Certifications

- **Safety** UL 60950-1, CAN/CSA-C22.2 No.60950
- **EMC** U.S.A.: FCC Part 15 CISPR 22
EU: EN55011, EN61000-6-4
EN55022 Class A,
EN61000-3-2/3
EN55024
IEC61000-4-2/3/4/5/6/8/11/12
EN61000-6-2
- **Shock** IEC60068-2-27
- **Freefall** IEC60068-2-32
- **Vibration** IEC60068-2-6

Ordering Information

- **EKI-2741F** Industrial Gigabit Ethernet to SFP Type Fiber Optic Converter
- **EKI-2741SX** Industrial Gigabit Ethernet to 1000Base-SX SC Type Fiber Optic Converter
- **EKI-2741LX** Industrial Gigabit Ethernet to 1000Base-LX SC Type Fiber Optic Converter

EKI-2541M

Industrial Ethernet to Fiber Optic Converters

NEW



Features

- Provides 1 x 10/100 Mbps Ethernet port with RJ45 connector
- Provides 1 x 100 Mbps multi-mode SC type fiber port
- Provides internal jumper for Link Fault Pass-through (LFP) setting
- Supports full/half duplex flow control
- Supports store and forward transmission
- Supports auto-negotiation
- Supports MDI/MDI-X auto crossover
- Provides surge (EFT) protection 3,000 V_{DC} for power line
- Supports 4,000 V_{DC} Ethernet ESD protection
- Supports +12-48 V_{DC} power input
- Provides flexible mounting: DIN-rail & Panel Mounting
- Supports operating temperatures from -10 ~ 60° C

Introduction

EKI-2541M is designed to convert Ethernet networks to fiber networks by transparently converting Ethernet signals to optic signals. The advantages of fiber optics are wide bandwidth, EMI immunity and long-distance transmission capability. Therefore, EKI-2541M is an ideal solution for “fiber to building” applications at central offices or local sites.

EKI-2541M supports MDI/MDIX auto detection, so you don't need to use crossover wires. Furthermore, the EKI-2541M can work normally from -10 ~ 60° C and accepts a wide voltage range from +12 ~ 48 V_{DC}. Besides, it also provides 3,000 V_{DC} surge (EFT) protection against over-voltage, so it is suitable for harsh operating environments.

Link Fault Pass-Through (LFP)

EKI-2541M is an enhanced Ethernet to fiber-optic converter. Aside from its standard features, the versatile EKI-2541M also has the LFP (Link Fault Pass-through) feature. When one side of the link fails, the other side continues transmitting packets, and waiting for a response that never arrives from the disconnected side. Use the internal jumper to enable the LFP function, then EKI-2541S will force the link to shut down as soon as noticed that the other link has failed, giving the application software a chance to react to the situation.

Specifications

Communications

- **Standard** IEEE802.3, 802.3u, 802.3x
- **LAN** 10/100Base-TX, 100Base-FX
- **Transmission Distance** Ethernet : Up to 100m
Fiber : Multi-mode : up to 2 km
- **Transmission Speed** Up to 100 Mbps

Interface

- **Connectors** 1 x RJ-45
1 x SC type fiber connector
6-pin removable screw terminal (power)
- **LED Indicators** P1, P2, P-Fai
Ethernet: 10/100M, LNK/ACT
Fiber: HDX/FDX, LNK/ACT
- **DIP Switch** Port/Power Alarm, LFP
Fiber: HDX/FDX, Converter/Switch

Power

- **Power Consumption** Max. 5W
- **Power Input** 2 x Unregulated 12 ~ 48 V_{DC}

Mechanism

- **Dimensions (W x H x D)** 37 x 140 x 95 mm
- **Mounting** DIN-rail, Wall

Protection

- **ESD (Ethernet)** 4,000 V_{DC}
- **Surge (EFT for power)** 3,000 V_{DC}
- **Power Reverse** Present
- **Overload** 1A/125V Replaceable Fuse

Environment

- **Operating Temperature** -10 ~ 60° C
Wide Temp Model -40 ~ 75° C
- **Storage Temperature** -10-85° C
- **Operating Humidity** 5 ~ 95% (non-condensing)
- **Storage Humidity** 0 ~ 95% (non-condensing)
- **MTBF** 577,175 hrs

Certifications

- **Safety** UL 60950-1, CAN/CSA-C22.2 No.60950
- **EMC** U.S.A.: FCC Part 15 CISPR 22
EU: EN55011, EN61000-6-4
EN55022 Class A,
EN61000-3-2/3
EN55024
IEC61000-4-2/3/4/5/6/8/11/12
EN61000-6-2
- **Shock** IEC60068-2-27
- **Freefall** IEC60068-2-32
- **Vibration** IEC60068-2-6

Ordering Information

- **EKI-2541M** Industrial Ethernet to 1000Base-LX SC Type Fiber Optic Converter

EKI-3541M

EKI-3541S

10/100T (X) to Multi-Mode SC Type Fiber Optic Industrial Media Converter

10/100T (X) to Single-Mode SC Type Fiber Optic Industrial Media Converter

NEW



Features

- Provides 1 x 10/100 Mbps Ethernet port with RJ45 connector
- Provides 1 x 100 Mbps Multi-mode/Single-mode SC type fiber port
- Supports Link Fault Pass-through (LFP) function
- Supports full/half duplex flow control
- Supports store and forward transmission
- Supports Auto-Negotiation
- Supports MDI/MDI-X auto crossover
- Supports redundant 12-48 V_{DC} power input
- Provides flexible mounting: DIN-rail and Wall mount

Introduction

EKI-3541M/3541S is designed to convert Ethernet networks to fiber networks by transparently converting Ethernet signals to optic signals. The advantages of fiber optics are wide bandwidth, EMI immunity and long-distance transmissions. Therefore, EKI-3541M/3541S is an ideal solution for "fiber to building" applications at central offices or local sites. EKI-3541M/3541S supports MDI/MDIX auto detection, so you don't need to use crossover wires. Furthermore, the EKI-3541M/3541S can work normally from -10 to 60°C and accepts a wide voltage range from 8.4 ~ 52.4 V_{DC}. Besides, it also provides 4,000 V_{DC} surge (EFT) protection against over-voltage, so it is suitable for harsh operating environments.

Link Fault Pass-Through (LFP)

EKI-3541M/3541S is an enhanced Ethernet to fiber-optic converter. Aside from its standard features, the versatile EKI-3541M/3541S also has the LFP (Link Fault Pass-through) feature. When one side of the link fails, the other side continues transmitting packets, and waiting for a response that never arrives from the disconnected side. Use the internal jumper to enable the LFP function, then EKI-3541M/3541S will force the link to shut down as soon as noticed that the other link has failed, giving the application software a chance to react to the situation.

Specifications

Communications

- **Standard** IEEE 802.3, 802.3u, 802.3x
- **LAN** 10/100Base-T (X), 100Base-FX
- **Transmission Distance** Ethernet: Up to 100 m
Fiber: Multi-mode: up to 2 km
Fiber: Single-mode: up to 30 km
- **Transmission Speed** Up to 100 Mbps
- **Optical Fiber**
 - Multi-mode (EKI-3541M)
 - Wavelength: 1310 nm
 - Tx Power: -14/-20 dBm
 - Rx Sensitivity: -31 dBm
 - Parameters: 50/125 um, 62.5/125 um
 - Single-mode (EKI-3541S)
 - Wavelength: 1310 nm
 - Tx Power: -8/-15 dBm
 - Rx Sensitivity: -34 dBm
 - Parameters: 9/125 um

Interface

- **Connectors** 1 x RJ45
1 x SC type fiber connector
6-pin removable screw terminal (power)
- **LED Indicators** P1, P2, P-Fail
LFP, LNK/ACT (FX), FDX/COL (FX)
- **DIP Switch** T(X):Speed and HDX/FDX, LFP
Fiber: HDX/FDX, T(X):Auto-Negotiation

Power

- **Power Consumption** Max. 2.4 W
- **Power Input** 12 ~ 48 V_{DC}, redundant dual inputs

Mechanism

- **Dimensions (W x H x D)** 28.5 x 120 x 85.3 mm (1.02" x 4.73" x 3.35")
- **Mounting** DIN-rail, Wall
- **Enclosure** IP40, plastic and metal shell with solid mounting kits

Protection

- **Power Reverse** Present
- **Overload current** Present

Environment

- **Operating Temperature** -10 ~ 60°C (14 ~ 140°F)
- **Storage Temperature** -40 ~ 85°C (-40 ~ 185°F)
- **Operating Humidity** 5 ~ 95% (non-condensing)
- **Storage Humidity** 0 ~ 95% (non-condensing)
- **MTBF** 597,488 hours (EKI-3541M and EKI-3541S)

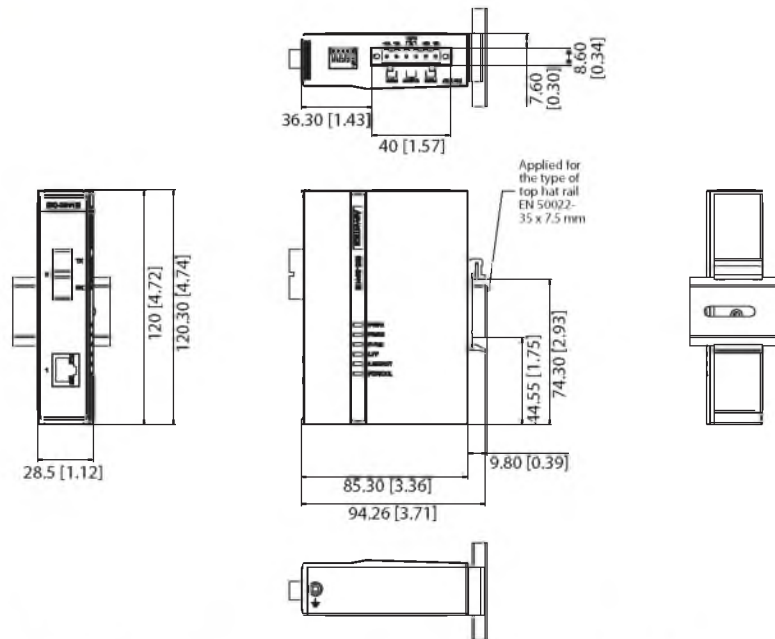
Certification

- **Safety** UL 60950-1, CAN/CSA-C22.2 No.60950
- **EMI** FCC Part 15 Subpart B Class A, EN 55011/55022 Class A
- **EMS** EN 61000-4-2 (Level 3)
EN 61000-4-3 (Level 3)
EN 61000-4-4 (Level 4)
EN 61000-4-5 (Level 3)
EN 61000-4-6 (Level 3)
EN 61000-4-8 (Level 4)
- **Shock** IEC 60068-2-27
- **Freefall** IEC 60068-2-32

Dimensions

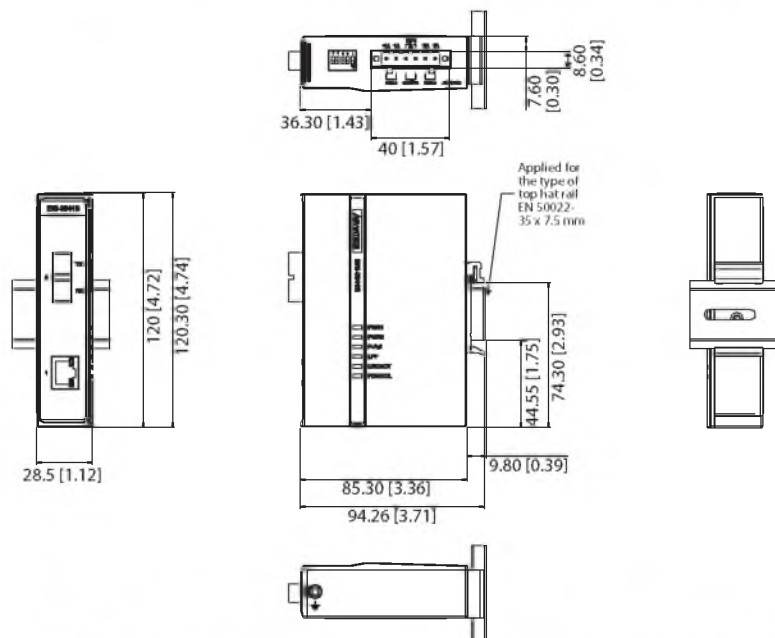
Unit: mm [inch]

EKI-3541M



Panel Cut-out Dimensions: 94.26 x 120.30 x 28.5 mm (3.71" x 4.74" x 1.44")

EKI-3541S



Panel Cut-out Dimensions: 94.26 x 120.30 x 28.5 mm (3.71" x 4.74" x 1.44")

Ordering Information

- EKI-3541M 10/100T (X) to Multi-Mode SC Type Fiber Optic Industrial Media Converter
- EKI-3541S 10/100T (X) to Single-Mode SC Type Fiber Optic Industrial Media Converter

По вопросам продаж и поддержки обращайтесь:

Архангельск (8182)63-90-72
Астана +7(7172)727-132
Белгород (4722)40-23-64
Брянск (4832)59-03-52
Владивосток (423)249-28-31
Волгоград (844)278-03-48
Вологда (8172)26-41-59
Воронеж (473)204-51-73
Екатеринбург (343)384-55-89
Иваново (4932)77-34-06
Ижевск (3412)26-03-58
Казань (843)206-01-48

Калининград (4012)72-03-81
Калуга (4842)92-23-67
Кемерово (3842)65-04-62
Киров (8332)68-02-04
Краснодар (861)203-40-90
Красноярск (391)204-63-61
Курск (4712)77-13-04
Липецк (4742)52-20-81
Магнитогорск (3519)55-03-13
Москва (495)268-04-70
Мурманск (8152)59-64-93
Набережные Челны (8552)20-53-41

Нижний Новгород (831)429-08-12
Новокузнецк (3843)20-46-81
Новосибирск (383)227-86-73
Орел (4862)44-53-42
Оренбург (3532)37-68-04
Пенза (8412)22-31-16
Пермь (342)205-81-47
Ростов-на-Дону (863)308-18-15
Рязань (4912)46-61-64
Самара (846)206-03-16
Санкт-Петербург (812)309-46-40
Саратов (845)249-38-78

Смоленск (4812)29-41-54
Сочи (862)225-72-31
Ставрополь (8652)20-65-13
Тверь (4822)63-31-35
Томск (3822)98-41-53
Тула (4872)74-02-29
Тюмень (3452)66-21-18
Ульяновск (8422)24-23-59
Уфа (347)229-48-12
Челябинск (351)202-03-61
Череповец (8202)49-02-64
Ярославль (4852)69-52-93