

Wi-Fi точки серии EKI-6311GN, 6331AN

ТЕХНИЧЕСКИЕ ХАРАКТЕРИСТИКИ

По вопросам продаж и поддержки обращайтесь:

Архангельск (8182)63-90-72
Астана +7(7172)727-132
Белгород (4722)40-23-64
Брянск (4832)59-03-52
Владивосток (423)249-28-31
Волгоград (844)278-03-48
Вологда (8172)26-41-59
Воронеж (473)204-51-73
Екатеринбург (343)384-55-89
Иваново (4932)77-34-06
Ижевск (3412)26-03-58
Казань (843)206-01-48

Калининград (4012)72-03-81
Калуга (4842)92-23-67
Кемерово (3842)65-04-62
Киров (8332)68-02-04
Краснодар (861)203-40-90
Красноярск (391)204-63-61
Курск (4712)77-13-04
Липецк (4742)52-20-81
Магнитогорск (3519)55-03-13
Москва (495)268-04-70
Мурманск (8152)59-64-93
Набережные Челны (8552)20-53-41

Нижний Новгород (831)429-08-12
Новокузнецк (3843)20-46-81
Новосибирск (383)227-86-73
Орел (4862)44-53-42
Оренбург (3532)37-68-04
Пенза (8412)22-31-16
Пермь (342)205-81-47
Ростов-на-Дону (863)308-18-15
Рязань (4912)46-61-64
Самара (846)206-03-16
Санкт-Петербург (812)309-46-40
Саратов (845)249-38-78

Смоленск (4812)29-41-54
Сочи (862)225-72-31
Ставрополь (8652)20-65-13
Тверь (4822)63-31-35
Томск (3822)98-41-53
Тула (4872)74-02-29
Тюмень (3452)66-21-18
Ульяновск (8422)24-23-59
Уфа (347)229-48-12
Челябинск (351)202-03-61
Череповец (8202)49-02-64
Ярославль (4852)69-52-93

EKI-6311GN

IEEE 802.11 b/g/n Wi-Fi AP/Client



Features

- Compliant with IEEE 802.11 b/g/n
- IP55 waterproof certification
- Embedded 8 dBi directional antenna with external N-type connector for optional antenna
- High output power 26 dBm
- MIMO 1 x 1 11n
- Passive 15 V PoE
- Supports distances up to 5 km
- WPA/WPA2-Enterprise encryption for a highly secure wireless network
- WEP/WPA/WPA2/ IEEE 802.1 x authentication support
- Spanning Tree and IGMP snooping protocol support

Introduction

The EKI-6311GN is a feature rich wireless AP/Client which provides a reliable wireless connectivity for industrial environments. The PoE injector enhances flexibility in deployment of this AP/Client even where the DC power supply is hard to fulfill. As an 802.11n compliant device, EKI-6311GN provides 3 times higher data rates than legacy 802.11g devices. With the support of STP, WMM and IGMP snooping protocols, EKI-6311GN effectively improves the reliability of wireless connectivity, especially in applications that need high reliability and high throughput data transmission. To secure wireless connections, EKI-6311GN implements the latest encryption technologies including WPA2/WPA/802.1x for powerful security authentication.

Specifications

Standard Support

- **Wireless** IEEE 802.11b/g/n
- **Ethernet** IEEE 802.3u MDI / MDIX 10/100 Fast Ethernet
- **LAN** IEEE 802.11b/g wireless LAN interface
IEEE 802.11n wireless LAN standard
Passive 15 V PoE, max. distance: 20 meters
- **Certification** US FCC Part 15 Class B & C & E
Europe ETSI 300 328, ETSI 301 489-1&17,
EN 60950 compliant and CE Mark
- **Data Rates** 802.11b 11, 5.5, 2, 1 Mbps, auto-fallback,
802.11g 54, 48, 36, 24, 18, 12, 9, 6 Mbps,
auto-fallback
- **IEEE 802.11n:** 6 M, 6.5 M, 13 M, 13.5 M, 19.5 M, 26 M, 27 M, 39 M,
40.5 M, 53 M, 54 M, 58.5 M, 65 M, 78 M, 81 M,
104 M, 108 M, 117 M, 121.5 M, 130 M, 135 M,
150 Mbps

Physical Specifications

- **Power** DC 15 V / 0.8A; AC Adapter 100 V ~ 240 V
- **Dimensions (W x H x D)** 60 x 165 x 34 mm (2.36" x 6.50" x 1.34")
- **Mounting** Wall, Pole
- **Weight** 0.5 Kg

Environment

- **Operating Temperature** Non Heater : -20 ~ 70°C (-4 ~ 158°F)
- **Storage Temperature** -30 ~ 80°C (-22 ~ 176°F)
- **Humidity** 10% ~ 95% non-condensing

Interface Operation Modes

- Access Point (AP) / Client

Antenna

- Antenna Configuration 1x1 (1 Tx, 1 Rx)
- Default embedded 8 dBi directional antenna (Vertical-Pol)
- Reserve N-type Connector (Plug) *Switchable by software
- Equipped N-to-RSMA adaptor and 5dBi dipole antenna for indoor AP applications.

Other Features

- Telnet, FTP, SNMP, Password Changes, Firmware updates, Configuration Files
- Radio on/off, WMM/Regatta Mode, Output Power Control, Fragmentation Length, Beacon Interval
- RTS/CTS threshold, DTIM Interval

Modulation Techniques

- **IEEE 802.11n** OFDM (BPSK, QPSK, 16-QAM, 64-QAM)
- **IEEE 802.11b** DSSS (DBPSK, DQPSK, CCK)
- **IEEE 802.11g** OFDM (BPSK, QPSK, 16-QAM, 64-QAM)

Channel Support

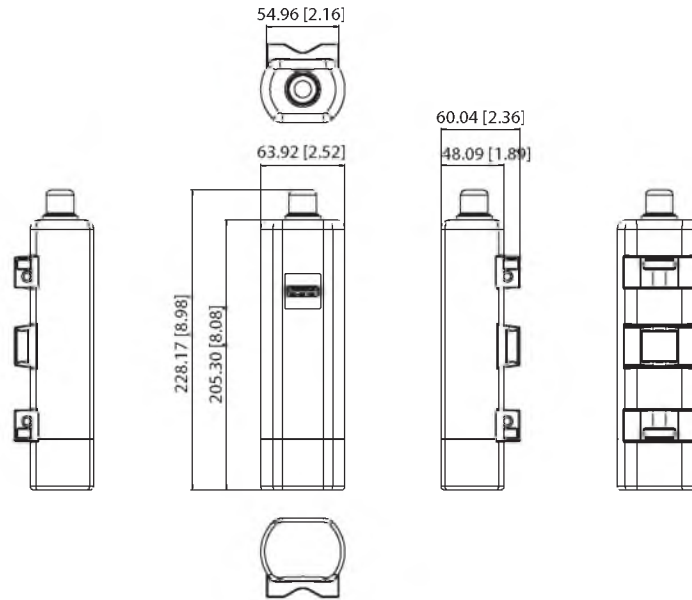
- **IEEE 802.11b/g/gn** HT20
FCC: CH1 ~ CH11; ETSI: CH1 ~ CH13
- **IEEE 802.11gn** HT40
FCC: CH3 ~ CH9; ETSI: CH3 ~ CH11

Wireless Transmission Rates

- **Transmitted Power** 802.11b: 26 dBm
802.11g: 26 dBm @ 6 Mbps, 24 dBm @ 54 Mbps
802.11gn HT20: 26 dBm @ MCS0, 22 dBm @ MCS7
802.11gn HT40: 26 dBm @ MCS0, 21 dBm @ MCS7

Dimensions

Unit: [mm]



Panel Cut-out Dimensions: 228.17 x 63.92 x 60.04 mm (8.98" x 2.52" x 2.36)

Receiver Sensitivity

- **802.11b Sensitivity** -93 dBm @ 1 Mbps; -88 dBm @ 11 Mbps
- **802.11g Sensitivity** -89 dBm @ 6 Mbps; -73 dBm @ 54 Mbps
- **802.11n HT20** -88 dBm @ MCS0; -70 dBm @ MCS7
- **802.11n HT40** -84 dBm @ MCS0; -67 dBm @ MCS7

Ordering Information

- **EKI-6311GN** 802.11 b/g/n Wireless AP/Client (US)
- **EKI-6311GN-EU** 802.11 b/g/n Wireless AP/Client (EU)

EKI-6331AN

IEEE 802.11 a/n Wi-Fi AP/Client



Features

- Compliant with IEEE 802.11 a/n
- IP55 waterproof certification
- MIMO 2 x 2 11n
- Embedded 16 dBi dual-polarity directional antenna with external R-SMA connector for optional antenna
- High output power 24 dBm
- Passive 15 V PoE
- Supports distances up to 10 km
- WEP/WPA/WPA2/ IEEE 802.1 x authentication support
- IGMP snooping protocol support

Introduction

The EKI-6331AN is a feature rich wireless AP/Client which provides a reliable 5GHz wireless connectivity for industrial environments. The PoE injector enhances flexibility in deployment of this AP/Client even where the DC power supply is hard to fulfill. As an 802.11n compliant device, EKI-6331AN provides 3 times higher data rates than legacy 802.11a devices. With MIMO 2 x 2 technology, EKI-6331AN provides both robust wireless connectivity as well as high throughput rate in wireless transmission. With the support of WMM and IGMP snooping protocols, EKI-6331AN effectively improves the reliability of wireless connectivity, especially in applications that need high reliability and high throughput data transmission. To secure wireless connections, EKI-6331AN implements the latest encryption technologies including WPA2/WPA/802.1x for powerful security authentication.

Specifications

Standard Support

- **Wireless** IEEE 802.11 a/n
- **Ethernet** IEEE 802.3u MDI / MDIX 10/100 Fast Ethernet
- **LAN** IEEE 802.11a wireless LAN interface
IEEE 802.11n wireless LAN standard
Passive 15 V PoE
- **Certification** US FCC Part 15
ETSI 301 489-1&17,
EN 60950 compliant and CE Mark
EN 301 893 (5470-5725MHz DFS)
EN 302 502 (5725-5850 MHz DFS)
- **Data Rates** IEEE 802.11a: 54, 48, 36, 24, 18, 12, 9, 6 Mbps, auto-fallback
IEEE 802.11n: 6 M, 6.5 M, 13 M, 13.5 M, 19.5 M, 26 M, 27 M, 39 M, 40.5 M, 53 M, 54 M, 58.5 M, 65 M, 78 M, 81 M, 104 M, 108 M, 117 M, 121.5 M, 130 M, 135 M, 150 Mbps, up to 300 Mbps

Physical Specifications

- **Power** 15 V_{DC} @ 0.8A; AC Adapter 100 V ~ 240 V
- **Dimensions (W x H x D)** 111 x 256 x 48 mm (4.37" x 10.08" x 1.89")
- **Mounting** Wall, Pole
- **Weight** 0.5 Kg

Environment

- **Operating Temp.** -20 ~ 70°C (-4 ~ 158°F)
- **Storage Temperature** -30 ~ 80°C (-22 ~ 176°F)
- **Humidity** 5% ~ 95% non-condensing

Interface Operation Modes

- Access Point (AP) / Client

Antenna

- Antenna Configuration 2 x 2 (2T2R)
- Default embedded 14~16 dBi (Dual-polarity)
- Reverse SMA Connectors (configured by software)

Other Features

- **Management** Telnet, FTP, SNMP, Web UI
- **Security** Open System , Shared Key, 802.1X only, WPA, WPA2, WPA-PSK (TKIP)
- **Wireless** Radio on/off, WMM/Regatta Mode, Output Power Control, Fragmentation Length, Beacon Interval, RTS/CTS threshold, DTIM Interval

Modulation Techniques

- **IEEE 802.11n** OFDM (BPSK, QPSK, 16-QAM, 64-QAM)
- **IEEE 802.11a** OFDM (BPSK, QPSK, 16-QAM, 64-QAM)

Channel Support

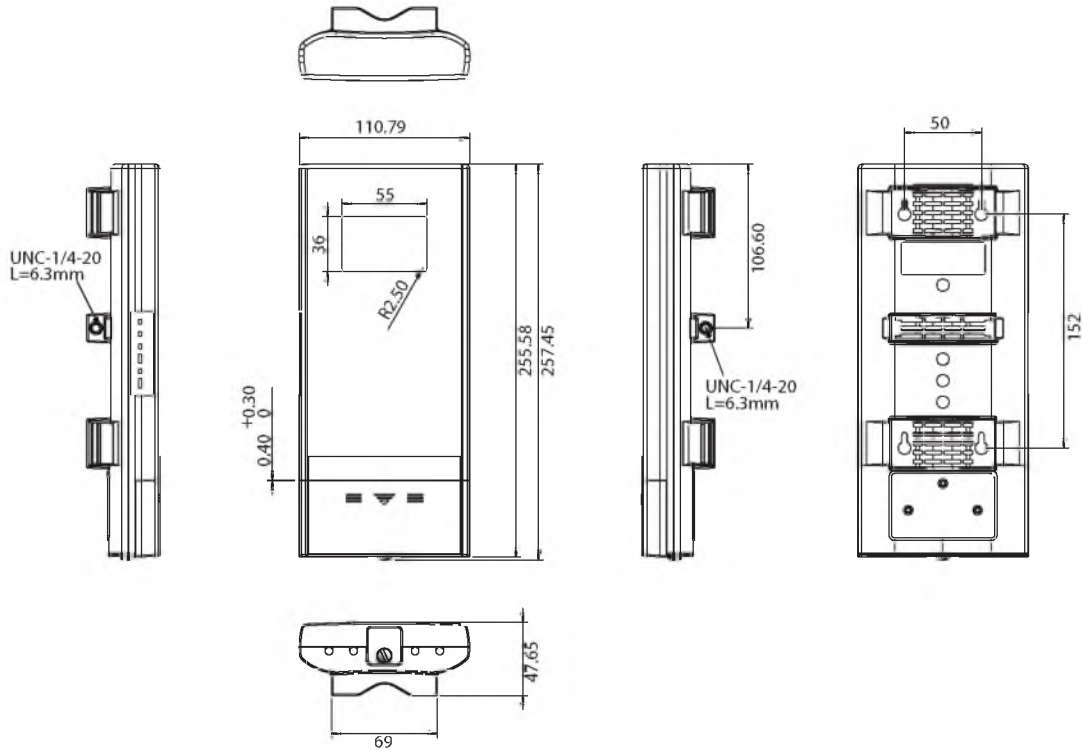
- **FCC** 5725-5850 MHz
- **CE** 5470-5725 MHz, 5725-5850 MHz

Wireless Transmission Rates

- **IEEE 802.11a** 6-24 Mbps: 24 dBm
54 Mbps: 21 dBm
- **IEEE 802.11n** HT20 - MCS0: 23 dBm
MCS15: 20 dBm
HT40 - MCS0: 23 dBm
MCS15: 19 dBm
- Note: bandedge exclusive (Controllable for different country regulations)

Dimensions

Unit: mm



Receiver Sensitivity

- IEEE 802.11a 54 Mbps: -76 dBm
- IEEE 802.11n HT20 - MCS15: -70 dBm
- HT40 - MCS15: -66 dBm

Ordering Information

- EKI-6331AN IEEE 802.11 a/n Wireless AP/Client
- EKI-6331AN-EU IEEE 802.11 a/n Wireless AP/Client (EU)

По вопросам продаж и поддержки обращайтесь:

Архангельск (8182)63-90-72
Астана +7(7172)727-132
Белгород (4722)40-23-64
Брянск (4832)59-03-52
Владивосток (423)249-28-31
Волгоград (844)278-03-48
Вологда (8172)26-41-59
Воронеж (473)204-51-73
Екатеринбург (343)384-55-89
Иваново (4932)77-34-06
Ижевск (3412)26-03-58
Казань (843)206-01-48

Калининград (4012)72-03-81
Калуга (4842)92-23-67
Кемерово (3842)65-04-62
Киров (8332)68-02-04
Краснодар (861)203-40-90
Красноярск (391)204-63-61
Курск (4712)77-13-04
Липецк (4742)52-20-81
Магнитогорск (3519)55-03-13
Москва (495)268-04-70
Мурманск (8152)59-64-93
Набережные Челны (8552)20-53-41

Нижний Новгород (831)429-08-12
Новокузнецк (3843)20-46-81
Новосибирск (383)227-86-73
Орел (4862)44-53-42
Оренбург (3532)37-68-04
Пенза (8412)22-31-16
Пермь (342)205-81-47
Ростов-на-Дону (863)308-18-15
Рязань (4912)46-61-64
Самара (846)206-03-16
Санкт-Петербург (812)309-46-40
Саратов (845)249-38-78

Смоленск (4812)29-41-54
Сочи (862)225-72-31
Ставрополь (8652)20-65-13
Тверь (4822)63-31-35
Томск (3822)98-41-53
Тула (4872)74-02-29
Тюмень (3452)66-21-18
Ульяновск (8422)24-23-59
Уфа (347)229-48-12
Челябинск (351)202-03-61
Череповец (8202)49-02-64
Ярославль (4852)69-52-93