

Промышленные мониторы общего назначения серии РМ-5000

ТЕХНИЧЕСКИЕ ХАРАКТЕРИСТИКИ

По вопросам продаж и поддержки обращайтесь:

Архангельск (8182)63-90-72
Астана +7(7172)727-132
Белгород (4722)40-23-64
Брянск (4832)59-03-52
Владивосток (423)249-28-31
Волгоград (844)278-03-48
Вологда (8172)26-41-59
Воронеж (473)204-51-73
Екатеринбург (343)384-55-89
Иваново (4932)77-34-06
Ижевск (3412)26-03-58
Казань (843)206-01-48

Калининград (4012)72-03-81
Калуга (4842)92-23-67
Кемерово (3842)65-04-62
Киров (8332)68-02-04
Краснодар (861)203-40-90
Красноярск (391)204-63-61
Курск (4712)77-13-04
Липецк (4742)52-20-81
Магнитогорск (3519)55-03-13
Москва (495)268-04-70
Мурманск (8152)59-64-93
Набережные Челны (8552)20-53-41

Нижний Новгород (831)429-08-12
Новокузнецк (3843)20-46-81
Новосибирск (383)227-86-73
Орел (4862)44-53-42
Оренбург (3532)37-68-04
Пенза (8412)22-31-16
Пермь (342)205-81-47
Ростов-на-Дону (863)308-18-15
Рязань (4912)46-61-64
Самара (846)206-03-16
Санкт-Петербург (812)309-46-40
Саратов (845)249-38-78

Смоленск (4812)29-41-54
Сочи (862)225-72-31
Ставрополь (8652)20-65-13
Тверь (4822)63-31-35
Томск (3822)98-41-53
Тула (4872)74-02-29
Тюмень (3452)66-21-18
Ульяновск (8422)24-23-59
Уфа (347)229-48-12
Челябинск (351)202-03-61
Череповец (8202)49-02-64
Ярославль (4852)69-52-93

FPM-5191G

19" SXGA Industrial Monitor with Resistive Touchscreen, Direct-VGA, and DVI Ports

NEW



Features

- 19" SXGA TFT LCD with resolution up to 1280 x 1024
- Direct VGA & DVI-D video input interface
- Lockable OSD keys with 2 user-defined contrast/brightness settings
- Flat-sealed front panel
- Robust design with anti-rust chassis and aluminum die-cast front panel
- Front accessible USB connector
- Combo RS-232 & USB interface for touchscreen function (optional)
- Supports industrial 10-30 V_{DC} power input
- Supports panel, wall, desktop, rack or VESA arm mounting
- Front panel is NEMA4/IP65 compliant

Introduction

FPM-5191G is a 19" color TFT LCD flat panel monitor specifically designed for industrial applications. With a viewing size as large as 19", it presents an ample display area as well as vivid and sharp images for your HMI. It features Direct-VGA & DVI-D signal transmission, which allows VGA control cards to be used in your system. The onscreen display allows users to adjust the images on the screen with two user-defined settings. The front access USB connector provides easy access the controller, and the industrial 10-30 Vdc wide range power support makes this product an excellent option for Factory and Machine Automation display solutions.

Specifications

General

- **Button Controls** OSD control pad on rear side with lockable function
- **Certification** BSMI, CCC, CE, FCC, UL
- **Dimension (W x H x D)** 481.9 x 355.9 x 58.5 mm (18.9" x 14" x 2.3")
- **Enclosure** Front panel: Aluminum and flat-sealed
Rear cover: Anti-rust coating
- **Mounting** Panel, wall, desktop, VESA arm, or 19" rackmount
- **Power Input** Phoenix Jack - 10 – 30 V_{DC} input
Optional external 57 W power adapter, with AC 100 V ~ 240 V input and DC +12 V @ 4.7A output
- **USB** Front USB access for extension
- **Video Port** VGA & DVI-D
- **Weight (Net)** 10 kg (22.04 lbs)

LCD Display

- **Display Type** SXGA TFT LCD
- **Display Size** 19"
- **Max. Resolution** 1280 x 1024
- **Max. Color** 16.7M
- **Viewing Angle (H/V°)** 160/160
- **Luminance (cd/m²)** 300
- **Backlight Life (hrs)** 50,000
- **Contrast Ratio** 1300 : 1

Touchscreen (Optional)

- **Sensor** AMT
- **Driver** Penmount 6000
- **Type** 5-wire Resistive
- **Interface** RS-232 & USB
- **Lifespan** 10 million with a silicone rubber of R8 finger, writing rate is by 250g at 2 times/s
- **Light Transmission** > 80%
- **OS Support** Windows® 2000/XP/CE/Vista, Linux
- **Power Consumption** +5 V @ 100 mA
- **Touch Resolution** Linearity

Environment

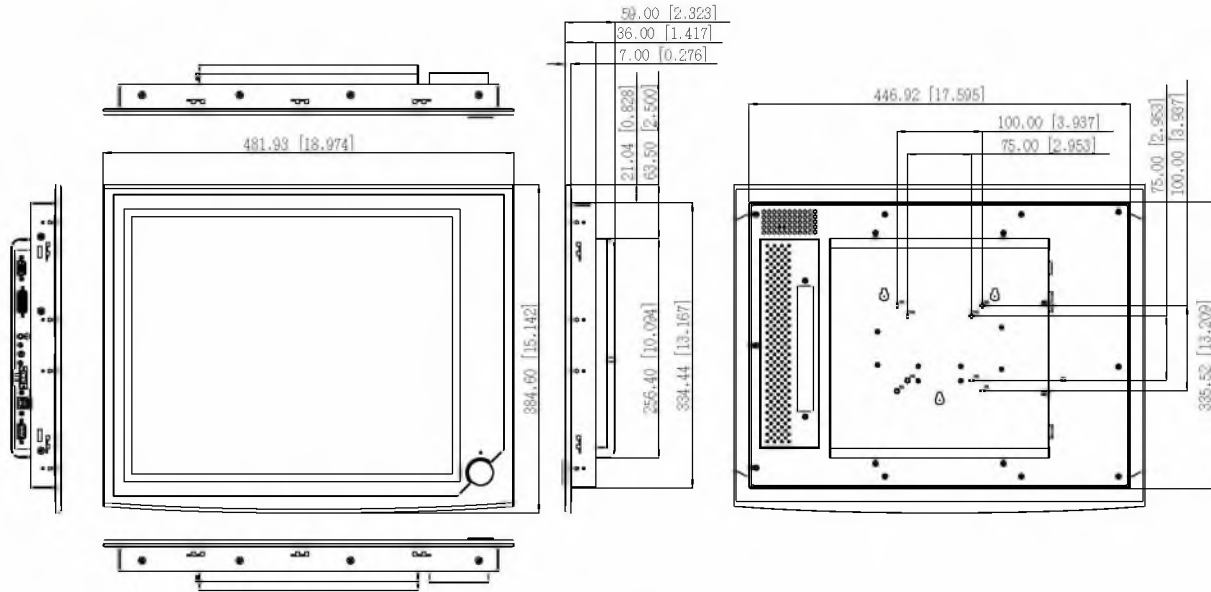
- **Operation Temperature** 0 – 50° C (32 – 122° F)
- **Storage Temperature** -20 – 60° C (-4 – 140° F)
- **Humidity (Storage)** 10 – 90% non-condensing
- **Waterproof** Front panel is NEMA4/IP65 compliant
- **Vibration** 5 – 500 Hz, 1 Grms (Operating, Random)

Ordering Information

- **FPM-5191G-X0AE** 19" SXGA Ind. Monitor
- **FPM-5191G-R3AE** 19" SXGA Ind. Monitor w/Resistive TS (RS-232 & USB)

Dimensions

Unit: mm

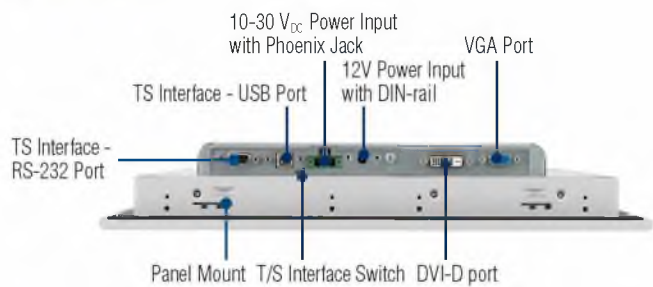


Panel Cut-out Dimensions: 454 x 338 mm

Accessories

- FPM-5191G-SMKE FPM-5191G Stand Kit
- IPPC-6192A-RMKE IPPC-6192A/FPM-5191G Rack Mount Kit
- 1702002600 Power Cable US Plug 1.8 M
- 1702002605 Power Cable EU Plug 1.8 M
- 1702031801 Power Cable UK Plug 1.8 M
- 1702031836 Power Cable China/Australia Plug 1.8 M
- 1757002742 Adapter AC 90-264V 57W SPU63-105

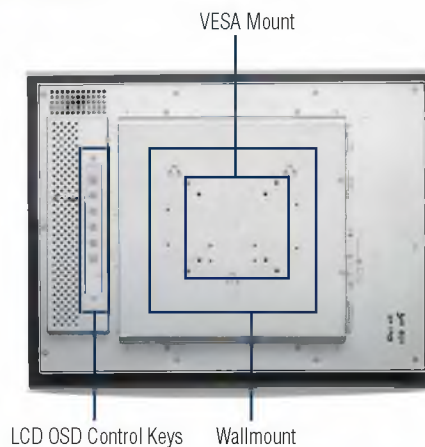
I/O View



Front Accessible USB Port



Back View



FPM-5151G

15" XGA Industrial Monitor with Resistive Touchscreen, Direct-VGA, and DVI Ports

NEW



Features

- 15" XGA TFT LCD with resolution up to 1024 x 768
- Direct VGA & DVI-D video input interface
- Lockable OSD keys with 2 user-defined contrast/brightness settings
- Flat-sealed front panel
- Robust design with anti-rust chassis and aluminum die-cast front panel
- Front accessible USB connector
- Combo RS-232 & USB interface for touchscreen (optional)
- Supports industrial 10-30 V_{DC} power input
- Supports panel, wall, desktop, rack or VESA arm mounting
- Front panel is NEMA4/IP65 compliant

Introduction

FPM-5151G is a 15" color TFT LCD flat panel monitor specifically designed for industrial applications. With a viewing size as large as 15", it presents an ample display area as well as vivid and sharp images for an HMI. It features Direct-VGA & DVI-D signal transmissions, which allows any VGA control card to be used in your system. The onscreen display allows users to adjust the images on the screen with two user-defined settings. The front access USB connector provides easy access the controller, and the industrial 10-30Vdc wide range power support makes this product an excellent option for Factory and Machine Automation display solutions.

Specifications

General

- **Button Controls** OSD control pad on rear side with lockable function
- **Certification** BSMI, CCC, CE, FCC, UL
- **Dimension (W x H x D)** 449.92 x 315.63 x 52.5 mm (17.7" x 12.4" x 2")
- **Enclosure** Front panel: Aluminum and flat-sealed
Rear cover: Anti-rust coating
- **Mounting** Panel, wall, VESA arm, or 19" stand, rackmount with optional mounting kit
- **Power Input** Phoenix Jack - 10 ~ 30 V_{DC} input
Optional - External 57 W power adapter, with AC 100 V ~ 240 V input and DC +12 V @ 4.7A output
- **USB** Front USB access for extension
- **Video** VGA & DVI-D port
- **Weight (Net)** 6 kg (13.22 lbs)

LCD Display

- **Display Type** XGA TFT LCD
- **Display Size** 15"
- **Max. Resolution** 1024 x 768
- **Max. Color** 16.2 M
- **Viewing Angle (H/V°)** 140/120
- **Luminance (cd/m²)** 250
- **Backlight Life (hrs)** 50,000
- **Contrast Ratio** 500 : 1

Touchscreen (Optional)

- **Sensor** AMT
- **Driver** Penmount 6000
- **Type** 8-wire Resistive
- **Interface** RS-232 & USB
- **Lifespan** 10 million with a silicone rubber of R8 finger, writing rate is by 250g at 2 times/s
- **Light Transmission** > 80%
- **OS Support** Windows® 2000/XP/CE/Vista, Linux
- **Power Consumption** +5 V @ 100 mA
- **Touch Resolution** Linearity

Environment

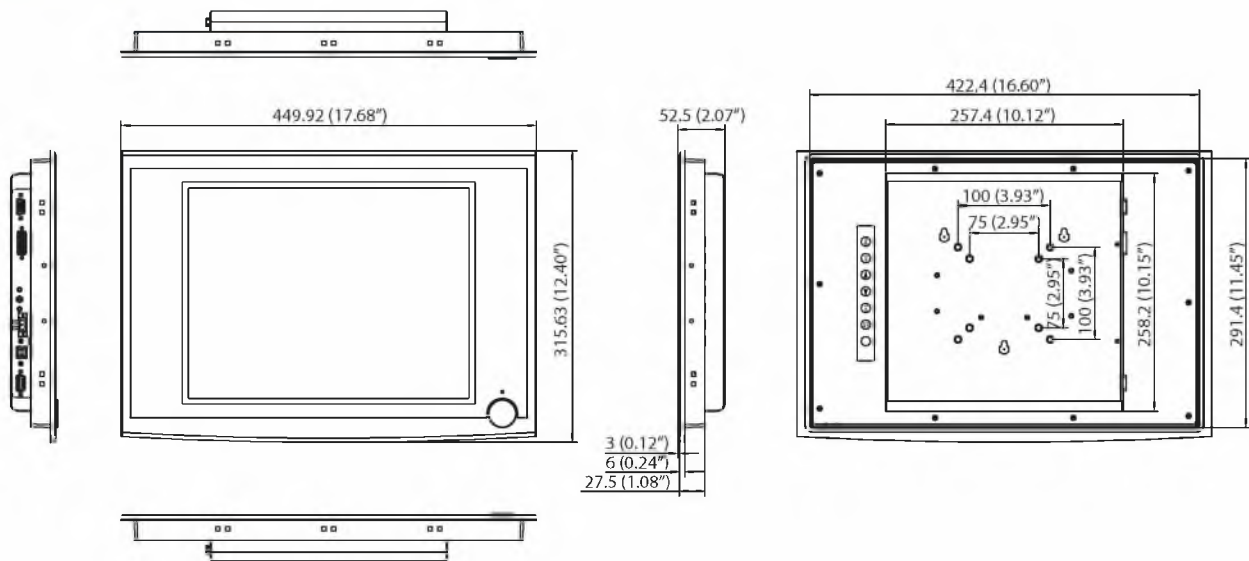
- **Operation Temperature** 0 ~ 50° C (32 ~ 122° F)
- **Storage Temperature** -20 ~ 60° C (-4 ~ 140° F)
- **Humidity (Storage)** 10 ~ 95% non-condensing
- **Waterproof** Front panel NEMA4/IP65 compliant
- **Vibration** 5 ~ 500 Hz, 1 Grms (Operating, Random)

Ordering Information

- **FPM-5151G-X0AE** 15" XGA Ind. Monitor
- **FPM-5151G-R3AE** 15" XGA Ind Monitor w/Resistive TS (RS-232 & USB)

Dimensions

Unit: mm

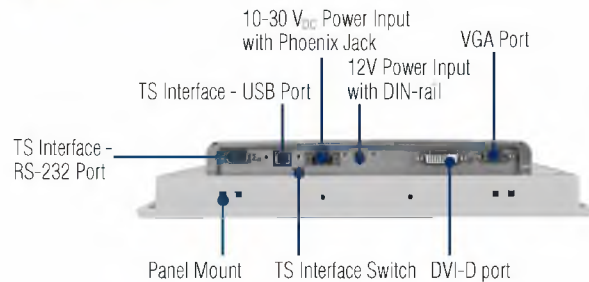


Panel Cut-out Dimensions: 424 x 293 mm

Accessories

- **IPPC-6152A-RMKE** IPCC-6152A/FPM-5151G Rack Mount Kit
- **FPM-5151G-SMKE** FPM-5151G/5171G Stand Kit
- **1702002600** Power Cable US Plug 1.8 M
- **1702002605** Power Cable EU Plug 1.8 M
- **1702031801** Power Cable UK Plug 1.8 M
- **1702031836** Power Cable China/Australia Plug 1.8 M
- **1757002742** Adapter AC 90-264V 57W SPU63-105

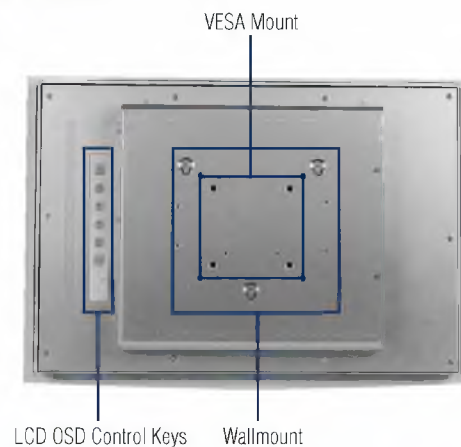
I/O View



Front Accessible USB Port



Back View



FPM-5152G

FPM-5172G

FPM-5192G

15" XGA / 17" SXGA / 19" SXGA Industrial Monitors with Resistive Touchscreens, Lockable Display Port



Features

- 15" XGA or 17" / 19" SXGA TFT LED LCD with 50,000 backlight life time
- Lockable display port input interface
- Lockable OSD keys with 2 user-defined contrast/brightness settings
- Flat-sealed front panel and IP65 certified front panel
- Robust design with anti-rust chassis and aluminum die-cast front panel
- Front accessible USB connector
- USB interface for touchscreen function
- Supports industrial 18-32V_{DC} power input with Phoenix jack
- Supports panel, wall, desktop, rack or VESA arm mounting

Introduction

The FPM-5000G series provides 15", 17" and 19" color TFT LCD with LED backlight flat panel monitors specifically designed for industrial applications. With a viewing size from 15" to 19", they present ample display areas as well as vivid and sharp images. It features display port signal transmission and onscreen display allows users to adjust the images on the screen. The front access USB connector provides easy access the controller, and the industrial 18-32V_{DC} wide range power support makes this product an excellent option for Factory and Machine Automation display solutions.

Specifications

General

- **Button Controls** OSD control pad on rear side with lockable function
- **Certification** BSMI, CCC, CE, FCC Class B, UL
- **Dimensions (W x H x D)**
 - 5152G: 449.92 x 315.63 x 50.5 mm (17.71" x 12.43" x 1.99")
 - 5172G: 481.9 x 355.9 x 55 mm (18.97" x 14.01" x 2.17")
 - 5192G: 481.93 x 384.6 x 59 mm (18.97" x 15.14" x 2.32")
- **Enclosure** Front panel: Aluminum and flat-sealed
Rear cover: Anti-rust coating
- **Mounting** Panel, wall, desktop, VESA arm, or 19" rackmount
- **Power Input** Phoenix Jack 18 ~ 32V_{DC} input
Optional external 48 W power adapter, with AC 100 V ~240 V input and DC18-32 V @max x 3.3A output
- **USB** Front USB access for extension
- **Video Port** Lockable display port
- **Weight (Net)** 6 kg (13.22 lbs) / 8 kg (17.63 lbs) / 10 kg (22.04 lbs)

LCD Display

- **Display Type** XGA/ SXGA/ SXGA TFT LCD LED backlight
- **Display Size** 15"/ 17"/ 19"
- **Max. Resolution** 1024 x 768 / 1280 x 1024 / 1280 x 1024
- **Max. Color** 16.2M / 16.7M / 16.7M
- **Viewing Angle (H/V°)** 160/140; 170/160; 170/160
- **Luminance (cd/m²)** 350
- **Backlight Life (hrs)** 50,000
- **Contrast Ratio** 700:1/1000:1 /1000:1

Touchscreen

- **Sensor** AMT
- **Driver** Penmount 6000
- **Type** 5-wire Resistive
- **Interface** USB
- **Light Transmission** > 80%
- **OS Support** Windows XP,Vista,7,8,XPe,CE and Linux
- **Touch Resolution** Linearity

Environment

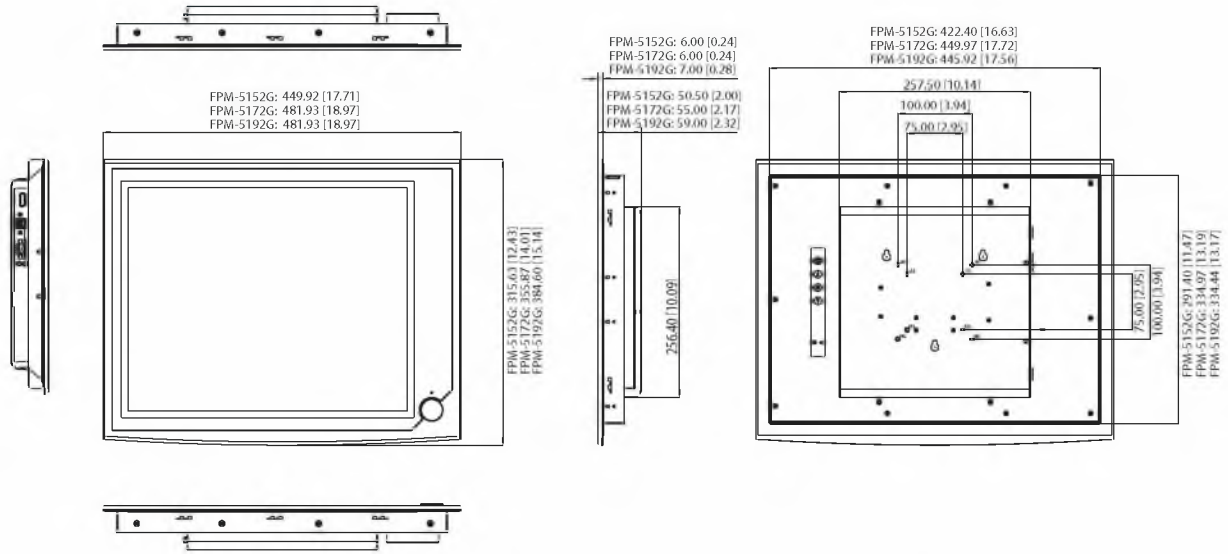
- **Operation Temperature** 0 ~ 50°C (32 ~ 122°F)
- **Storage Temperature** -20 ~ 60°C (-4 ~ 140°F)
- **Humidity (Storage)** 10 ~ 90% non-condensing
- **Waterproof** Front panel is IP65 compliant
- **Vibration** 5 ~ 500 Hz, 1 Grms (Operating, Random)

Ordering Information

- **FPM-5192G-R2AE** 19" SXGA Ind. DP Monitor w/Resistive TS (USB)
- **FPM-5172G-R2AE** 17" SXGA Ind. DP Monitor w/Resistive TS (USB)
- **FPM-5152G-R2AE** 15" XGA Ind. DP Monitor w/Resistive TS (USB)

Dimensions

Unit: [mm]



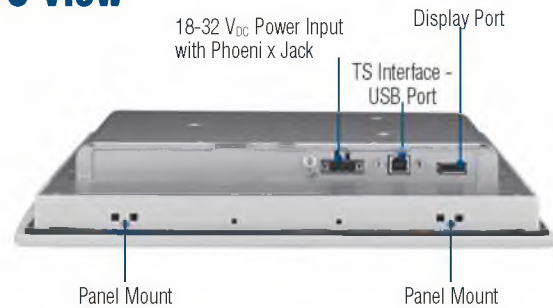
Panel Cut-out Dimensions: FPM-5152G: 424 x 293 (16.69" x 11.54")
 FPM-5172G: 454 x 338 (17.87" x 13.31")
 FPM-5192G: 454 x 338 (17.87" x 13.31")

Accessories

- FPM-5151G-SMKE FPM-5151G/5171G Stand Kit
- FPM-5191G-SMKE FPM-5191G Stand Kit
- IPPC-6152A-RMKE IPPC-6152A/FPM-5151G Rack Mount Kit
- IPPC-6172A-RMKE IPPC-6172A/FPM-5171G Rack Mount Kit
- IPPC-6192A-RMKE IPPC-6192A/FPM-5191G Rack Mount Kit
- 1757002321 ADAPTER 100-240V 63W 24V 2.62A IPU63-108 SINPRO

Note: VESA mounting screw length: M4 x 10mm

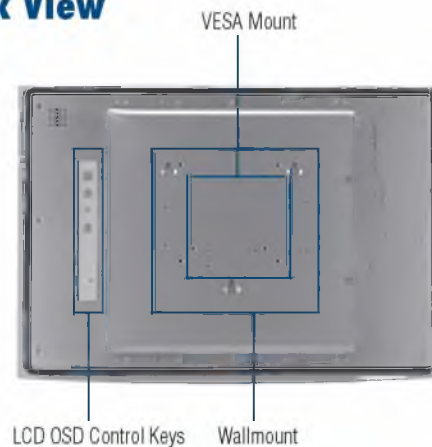
I/O View



Front Accessible USB Port



Back View



FPM-5171G

17" SXGA Industrial Monitor with Resistive Touchscreen, Direct-VGA, and DVI Ports

NEW



Features

- 17" SXGA TFT LCD with resolution up to 1280 x 1024
- Direct VGA & DVI-D video input interface
- Lockable OSD keys with 2 user-defined contrast/brightness settings
- Flat-sealed front panel
- Robust design with anti-rust chassis and aluminum die-cast front panel
- Front accessible USB connector
- Combo RS-232 & USB interface for touchscreen function (optional)
- Supports industrial 10-30 V_{DC} power input
- Supports panel, wall, desktop, rack or VESA arm mounting
- Front panel is NEMA4/IP65 compliant

Introduction

FPM-5171G is a 17" color TFT LCD flat panel monitor specifically designed for industrial applications. With a viewing size as large as 17", it presents an ample display area as well as vivid and sharp images for your HMI. It features Direct-VGA & DVI-D signal transmission, which allows VGA control cards to be used in your system. The onscreen display allows users to adjust the images on the screen with two user-defined settings. The front access USB connector provides easy access the controller, and the industrial 10-30 Vdc wide range power support makes this product an excellent option for Factory and Machine Automation display solutions.

Specifications

General

- **Button Controls** OSD control pad on rear side with lockable function
- **Certification** BSMI, CCC, CE, FCC, UL
- **Dimension (W x H x D)** 481.9 x 355.9 x 58.5 mm (18.9" x 14" x 2.3")
- **Enclosure** Front panel: Aluminum and flat-sealed
Rear cover: Anti-rust coating
- **Mounting** Panel, wall, desktop, VESA arm, or 19" rackmount
- **Power Input** Phoenix Jack - 10 ~ 30 V_{DC} input
Optional external 57 W power adapter, with AC 100 V ~ 240 V input and DC +12 V @ 4.7A output
- **USB** Front USB access for extension
- **Video Port** VGA & DVI-D
- **Weight (Net)** 8 kg (17.63 lbs)

LCD Display

- **Display Type** SXGA TFT LCD
- **Display Size** 17"
- **Max. Resolution** 1280 x 1024
- **Max. Color** 16.7M
- **Viewing Angle (H/V°)** 160/160
- **Luminance (cd/m²)** 300
- **Backlight Life (hrs)** 50,000
- **Contrast Ratio** 800 : 1

Touchscreen (Optional)

- **Sensor** AMT
- **Driver** Penmount 6000
- **Type** 8-wire Resistive
- **Interface** RS-232 & USB
- **Lifespan** 10 million with a silicone rubber of R8 finger, writing rate is by 250g at 2 times/s
- **Light Transmission** > 80%
- **OS Support** Windows® 2000/XP/CE/Vista, Linux
- **Power Consumption** +5 V @ 100 mA
- **Touch Resolution** Linearity

Environment

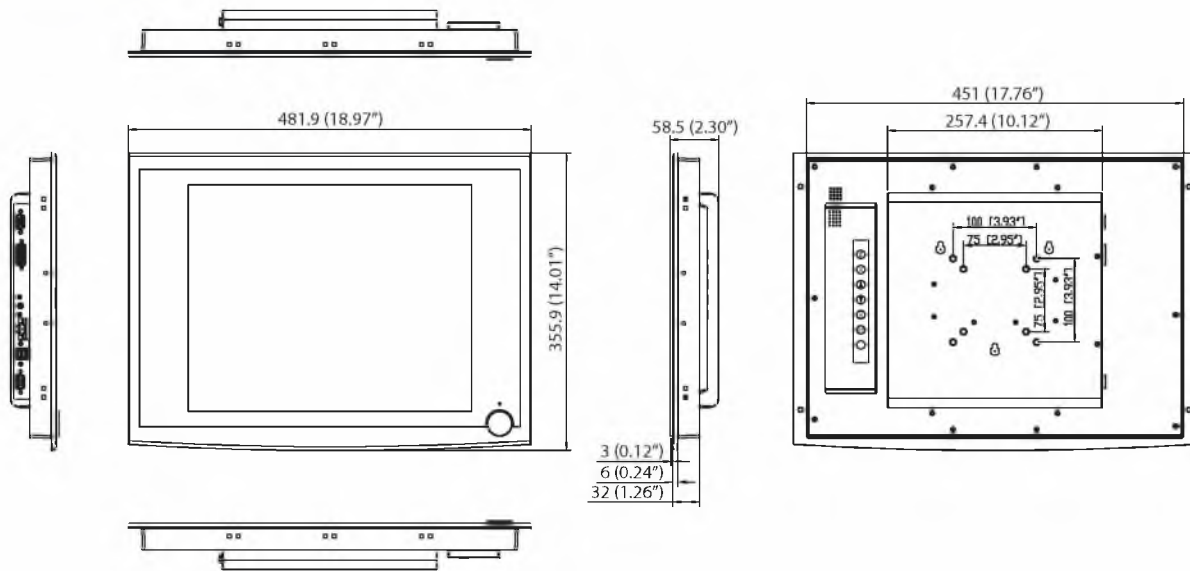
- **Operation Temperature** 0 ~ 50° C (32 ~ 122° F)
- **Storage Temperature** -20 ~ 60° C (-4 ~ 140° F)
- **Humidity (Storage)** 10 ~ 90% non-condensing
- **Waterproof** Front panel is NEMA4/IP65 compliant
- **Vibration** 5 ~ 500 Hz, 1 Grms (Operating, Random)

Ordering Information

- **FPM-5171G-X0AE** 17" SXGA Ind. Monitor
- **FPM-5171G-R3AE** 17" SXGA Ind. Monitor w/Resistive TS (RS-232 & USB)

Dimensions

Unit: mm

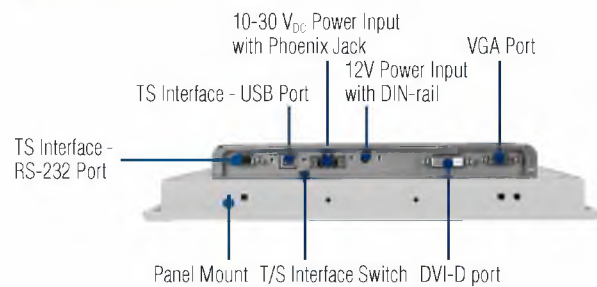


Panel Cut-out Dimensions: 454 x 338 mm

Accessories

- FPM-5151G-SMKE FPM-5151G/5171G Stand Kit
- IPPC-6172A-RMKE IPPC-6172A/FPM-5171G Rack Mount Kit
- 1702002600 Power Cable US Plug 1.8 M
- 1702002605 Power Cable EU Plug 1.8 M
- 1702031801 Power Cable UK Plug 1.8 M
- 1702031836 Power Cable China/Australia Plug 1.8 M
- 1757002742 Adapter AC 90-264V 57W SPU63-105

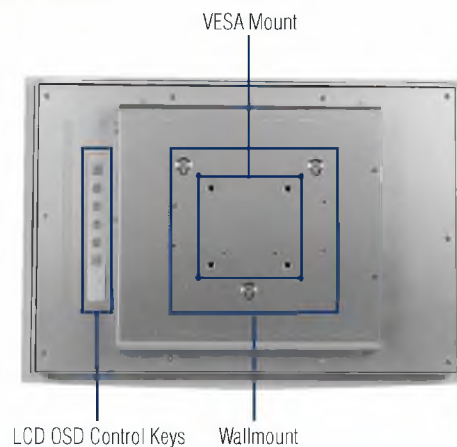
I/O View



Front Accessible USB Port



Back View



По вопросам продаж и поддержки обращайтесь:

Архангельск (8182)63-90-72
Астана +7(7172)727-132
Белгород (4722)40-23-64
Брянск (4832)59-03-52
Владивосток (423)249-28-31
Волгоград (844)278-03-48
Вологда (8172)26-41-59
Воронеж (473)204-51-73
Екатеринбург (343)384-55-89
Иваново (4932)77-34-06
Ижевск (3412)26-03-58
Казань (843)206-01-48

Калининград (4012)72-03-81
Калуга (4842)92-23-67
Кемерово (3842)65-04-62
Киров (8332)68-02-04
Краснодар (861)203-40-90
Красноярск (391)204-63-61
Курск (4712)77-13-04
Липецк (4742)52-20-81
Магнитогорск (3519)55-03-13
Москва (495)268-04-70
Мурманск (8152)59-64-93
Набережные Челны (8552)20-53-41

Нижний Новгород (831)429-08-12
Новокузнецк (3843)20-46-81
Новосибирск (383)227-86-73
Орел (4862)44-53-42
Оренбург (3532)37-68-04
Пенза (8412)22-31-16
Пермь (342)205-81-47
Ростов-на-Дону (863)308-18-15
Рязань (4912)46-61-64
Самара (846)206-03-16
Санкт-Петербург (812)309-46-40
Саратов (845)249-38-78

Смоленск (4812)29-41-54
Сочи (862)225-72-31
Ставрополь (8652)20-65-13
Тверь (4822)63-31-35
Томск (3822)98-41-53
Тула (4872)74-02-29
Тюмень (3452)66-21-18
Ульяновск (8422)24-23-59
Уфа (347)229-48-12
Челябинск (351)202-03-61
Череповец (8202)49-02-64
Ярославль (4852)69-52-93