

Специализированные мониторы серии FPM-8000

ТЕХНИЧЕСКИЕ ХАРАКТЕРИСТИКИ

По вопросам продаж и поддержки обращайтесь:

Архангельск (8182)63-90-72
Астана +7(7172)727-132
Белгород (4722)40-23-64
Брянск (4832)59-03-52
Владивосток (423)249-28-31
Волгоград (844)278-03-48
Вологда (8172)26-41-59
Воронеж (473)204-51-73
Екатеринбург (343)384-55-89
Иваново (4932)77-34-06
Ижевск (3412)26-03-58
Казань (843)206-01-48

Калининград (4012)72-03-81
Калуга (4842)92-23-67
Кемерово (3842)65-04-62
Киров (8332)68-02-04
Краснодар (861)203-40-90
Красноярск (391)204-63-61
Курск (4712)77-13-04
Липецк (4742)52-20-81
Магнитогорск (3519)55-03-13
Москва (495)268-04-70
Мурманск (8152)59-64-93
Набережные Челны (8552)20-53-41

Нижний Новгород (831)429-08-12
Новокузнецк (3843)20-46-81
Новосибирск (383)227-86-73
Орел (4862)44-53-42
Оренбург (3532)37-68-04
Пенза (8412)22-31-16
Пермь (342)205-81-47
Ростов-на-Дону (863)308-18-15
Рязань (4912)46-61-64
Самара (846)206-03-16
Санкт-Петербург (812)309-46-40
Саратов (845)249-38-78

Смоленск (4812)29-41-54
Сочи (862)225-72-31
Ставрополь (8652)20-65-13
Тверь (4822)63-31-35
Томск (3822)98-41-53
Тула (4872)74-02-29
Тюмень (3452)66-21-18
Ульяновск (8422)24-23-59
Уфа (347)229-48-12
Челябинск (351)202-03-61
Череповец (8202)49-02-64
Ярославль (4852)69-52-93

FPM-8192V

19" SXGA Transflective Marine Grade Monitor with Resistive Touchscreen



Features

- 19" SXGA TFT LCD with transflective technology for outdoor visibility
- Dimming knob controls backlight brightness from nearly 0% to 100%
- Front OSD control with PIP (picture in picture) function
- Wide voltage power input 18-36VDC
- Direct-VGA, DVI-D, Video & S-Video input interface
- Chassis ESD/grounding protection
- Robust design with anti-rust aluminum housing and IP65 complaint front panel
- DNV standard 2.4 certified and IEC-60945 & IACS-E10 approved
- Front access mounting mechanism for marine bridge systems

Introduction

FPM-8192V is a 19" UXGA monitor with transflective display & dimming knob control from 0% – 100%, designed for marine industry applications. Constructed from marine grade aluminum with a UV protected powder coating, FPM-8192V ensures reliability even in harsh outdoor conditions. FPM-8192V can also accept up to 4 common video inputs, including VGA, DVI, S-Video, and Video as well as three stage PIP (picture in picture) with floating and resizable windows. Advantech's marine display is the right choice for any marine application due to its ease of installation, outstanding viewing capabilities and reliability.

Specifications

General

- **Button Controls** Front OSD control pad with dimming control knob
- **Certifications** CE, FCC, DNV, IEC 60945, IACS-E10
- **Dimensions (WxHxD)** 483 x 444 x 75 mm (19" x 17.48" x 1.95")
- **Enclosure** Aluminum with coating
- **Mounting** Panel
- **Power Input** 45W, 18-36V, 6.3-3.15A
- **Video Port** VGA, DVI-D, Composite Video, S-Video
- **Weight** 14.5kg

LCD Display

- **Display Type** SXGA TFT LCD with transflective display
- **Display Size** 19"
- **Max. Resolution** 1280 x 1024
- **Max. Colors** 16.7M
- **Luminance (cd/m2)** 500 under ambient lighting 10,000 nits
630 under ambient lighting 30,000 nits
830 under ambient lighting 80,000 nits
- **Viewing Angle (H, V)°** 140/135
- **Backlight Life (hrs)** 50,000
- **Contrast Ratio** 550:1

Touchscreen (Optional)

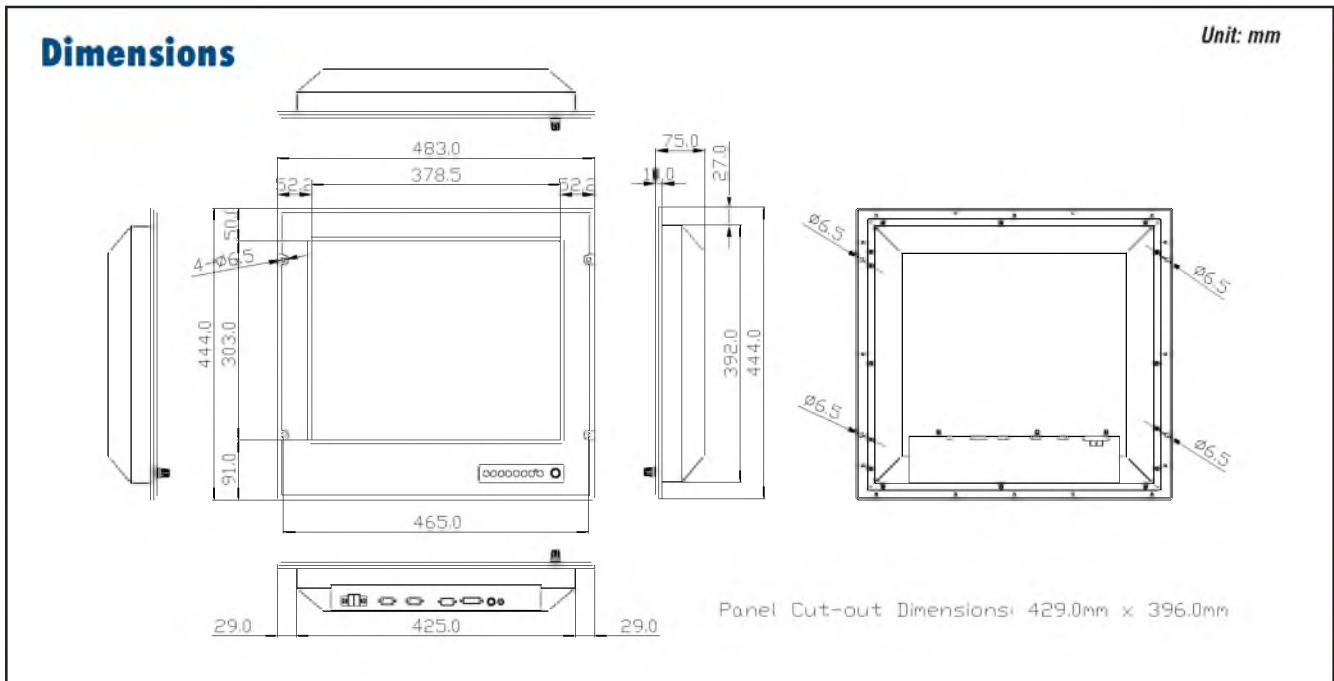
- **Sensor** ELO
- **Lifespan** 35 million touches at single point
- **Light transmission** Above 75%
- **Resolution** Linearity
- **Type** 5-wire, analog resistive
- **OS** Windows 98/2000/CE/XP/XPe
- **Power Consumption** +5V@ 100mA

Environment

- **Operating Temperature** -10 – 55° C (14 – 131° F)
- **Storage Temperature** -40 – 70° C (-40 – 158° F)
- **Humidity (Storage)** 5 – 95% non-condensing
- **Waterproof Front Panel** IP65 compliant
- **Vibration** 5 – 500 Hz, 1 Grms (operating, random)

Ordering Information

- **FPM-8192V-X0AE** 19" SXGA Transflective Marine Grade Monitor with Direct-VGA, S-Video and DVI
- **FPM-8192V-R1AE** 19" SXGA Transflective Marine Grade Monitor with Resistive Touchscreen, Direct-VGA, S-Video and DVI



Front View (Panel Mount)



I/O View



Front OSD with Dimming Knob



FPM-8151H

15" XGA Industrial Monitor for Hazardous Location, with 316L Stainless Steel Front Panel

NEW



Features

- 15" XGA TFT LCD with LED backlight
- Stainless steel 316L front panel
- IP65 compliant front panel
- -20 ~ 60°C (-4 ~ 140°F) wide operating temperature range
- Enhanced 5-wire resistive touch panel
- Direct VGA & DVI-D video input interface
- Combo RS-232 & USB interface for touchscreen function
- Supports 24 V_{DC} input and 100-240 V_{AC} input (optional AC adapter)
- OSD control pad with lockable function on front panel
- Certified with UL CID2 for hazardous environments

Introduction

The FPM-8151H is a particularly rugged and reliable 15" XGA wide temperature industrial monitor for a variety of industry applications. Equipped with a wide operating temperature range of -20 ~ 60°C (-4 ~ 140°F), it can satisfy demands in a wide range of harsh industrial applications. This model also features enhanced 5-wire resistive touch and system isolation to enhance the reliability. Moreover, FPM-8151H is designed to be safely operated in these locations and is Certified with UL Class I Division 2 for hazardous environments.

Specifications

General

- **Button Controls** OSD control pad on front panel with lockable function
2 user-defined contrast/brightness settings
- **Certification** CE, FCC Class A, UL C1D2, CB, BSMI, CCC
- **Dimensions (W x H x D)** 422 x 338 x 68 mm (16.61" x 13.31" x 2.68")
- **Enclosure** Front panel: 316L Stainless steel
Rear cover : Stainless steel
Ground Isolation Protection
- **Mounting** Panel, wall, desktop, VESA arm
- **Power Input** Phoenix Jack: 24 V_{DC} input
DC Jack: external 57 W power adapter, with
100 ~ 240 V_{AC} input and 12 V_{DC} @ 4.75 A output
(Optional)
- **Power Consumption** 12W
- **Video Port** VGA & DVI-D Port
- **Weight (Net)** 8.5 kg (18.74 lbs)

LCD Display

- **Display Type** XGA TFT LCD
- **Backlight Type** LED
- **Display Size** 15"
- **Max. Resolution** 1024 x 768
- **Max. Color** 16.2M (RGB 8-bits)
- **Viewing Angle (H/V°)** 160/140
- **Luminance (cd/m²)** 350
- **Backlight Life (hrs)** 50,000
- **Contrast Ratio** 700:1

Touchscreen

- **Sensor** AMT
- **Driver** Penmount 6000
- **Type** 5-wire resistive with enhanced ITO film
- **Interface** USB & RS-232 (Combo)
- **Lifespan** 36 million with a silicone rubber R8 finger,
writing rate is by 250g at 2 times/s
- **Light Transmission** > 80%
- **OS Support** Windows 2000, XP, Vista, 7, XPe, CE and Linux
- **Power Consumption** +5 V @ 100 mA
- **Touch Resolution** Linearity

Environment

- **Operation Temperature** -20 ~ 60°C (-4 ~ 140°F)
- **Storage Temperature** -30 ~ 80°C (-22 ~ 176°F)
- **Humidity (Storage)** 10 ~ 95% non-condensing
- **Waterproof** Front panel is IP65 compliant
- **Shock** 11ms, 10G (Non Operating, Half Sine Wave)
- **Vibration** 5 ~ 500 Hz, 1 Grms (Operating, Random)

Ordering Information

- **FPM-8151H-R3AE** 15" XGA Ind. Monitor VGA, DVI, Wide Temp

По вопросам продаж и поддержки обращайтесь:

Архангельск (8182)63-90-72
Астана +7(7172)727-132
Белгород (4722)40-23-64
Брянск (4832)59-03-52
Владивосток (423)249-28-31
Волгоград (844)278-03-48
Вологда (8172)26-41-59
Воронеж (473)204-51-73
Екатеринбург (343)384-55-89
Иваново (4932)77-34-06
Ижевск (3412)26-03-58
Казань (843)206-01-48

Калининград (4012)72-03-81
Калуга (4842)92-23-67
Кемерово (3842)65-04-62
Киров (8332)68-02-04
Краснодар (861)203-40-90
Красноярск (391)204-63-61
Курск (4712)77-13-04
Липецк (4742)52-20-81
Магнитогорск (3519)55-03-13
Москва (495)268-04-70
Мурманск (8152)59-64-93
Набережные Челны (8552)20-53-41

Нижний Новгород (831)429-08-12
Новокузнецк (3843)20-46-81
Новосибирск (383)227-86-73
Орел (4862)44-53-42
Оренбург (3532)37-68-04
Пенза (8412)22-31-16
Пермь (342)205-81-47
Ростов-на-Дону (863)308-18-15
Рязань (4912)46-61-64
Самара (846)206-03-16
Санкт-Петербург (812)309-46-40
Саратов (845)249-38-78

Смоленск (4812)29-41-54
Сочи (862)225-72-31
Ставрополь (8652)20-65-13
Тверь (4822)63-31-35
Томск (3822)98-41-53
Тула (4872)74-02-29
Тюмень (3452)66-21-18
Ульяновск (8422)24-23-59
Уфа (347)229-48-12
Челябинск (351)202-03-61
Череповец (8202)49-02-64
Ярославль (4852)69-52-93