

Корпуса серии IPC

ТЕХНИЧЕСКИЕ ХАРАКТЕРИСТИКИ

По вопросам продаж и поддержки обращайтесь:

Архангельск (8182)63-90-72
Астана +7(7172)727-132
Белгород (4722)40-23-64
Брянск (4832)59-03-52
Владивосток (423)249-28-31
Волгоград (844)278-03-48
Вологда (8172)26-41-59
Воронеж (473)204-51-73
Екатеринбург (343)384-55-89
Иваново (4932)77-34-06
Ижевск (3412)26-03-58
Казань (843)206-01-48

Калининград (4012)72-03-81
Калуга (4842)92-23-67
Кемерово (3842)65-04-62
Киров (8332)68-02-04
Краснодар (861)203-40-90
Красноярск (391)204-63-61
Курск (4712)77-13-04
Липецк (4742)52-20-81
Магнитогорск (3519)55-03-13
Москва (495)268-04-70
Мурманск (8152)59-64-93
Набережные Челны (8552)20-53-41

Нижний Новгород (831)429-08-12
Новокузнецк (3843)20-46-81
Новосибирск (383)227-86-73
Орел (4862)44-53-42
Оренбург (3532)37-68-04
Пенза (8412)22-31-16
Пермь (342)205-81-47
Ростов-на-Дону (863)308-18-15
Рязань (4912)46-61-64
Самара (846)206-03-16
Санкт-Петербург (812)309-46-40
Саратов (845)249-38-78

Смоленск (4812)29-41-54
Сочи (862)225-72-31
Ставрополь (8652)20-65-13
Тверь (4822)63-31-35
Томск (3822)98-41-53
Тула (4872)74-02-29
Тюмень (3452)66-21-18
Ульяновск (8422)24-23-59
Уфа (347)229-48-12
Челябинск (351)202-03-61
Череповец (8202)49-02-64
Ярославль (4852)69-52-93

IPC-3026

6-Slot Desktop/Wallmount Chassis for Half-Size SBC



Features

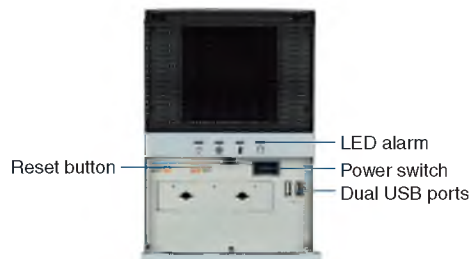
- Stylish and compact design for embedded applications
- LED indicators and alarm notification for system fault detection, including Power, HDD, Temp, Fan
- Shock-resistant disk drive bay to hold one 3.5" disk drives (or two 2.5" disk drive with front access using special bracket)
- Supports PICMG1.3/ PICMG1.0 6-slot half-size passive backplane.
- Accepts 150 W power supply



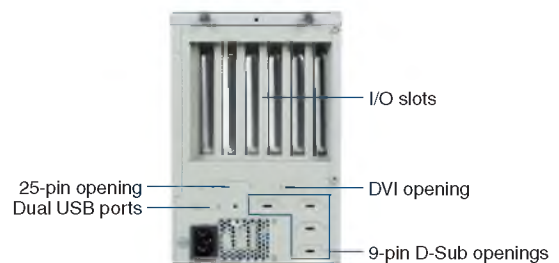
Specifications

Disk Drive Bay		Front-accessible	Internal
	3.5"	-	1
Cooling	Fan	1 (9 cm 53 CFM)	
	Air Filters	Yes	
I/O Interface	USB	2 (Front accessible), 2 (Rear accessible)	
Miscellaneous	LED Indicators	Power, HDD, Temp, Fan	
	Front Panel	Reset button, Power switch	
	Rear Panel	Reserved 4 9-pin D-Sub openings, 25-pin opening, DVI opening, dual USB ports	
Environment	Temperature	Operating 0 – 40° C (32 – 104° F)	Non-operating -20 – 60° C (-4 – 140° F)
	Humidity	10 – 85% @ 40° C, non-condensing	10 – 95% @ 40° C, non-condensing
	Vibration (5-500 Hz)	1 Grms	2 G
	Shock	10 G (with 11 ms duration, half sine wave)	30 G
Physical Characteristics	Dimensions (W x H x D)	150 x 222 x 270 mm	

Front View

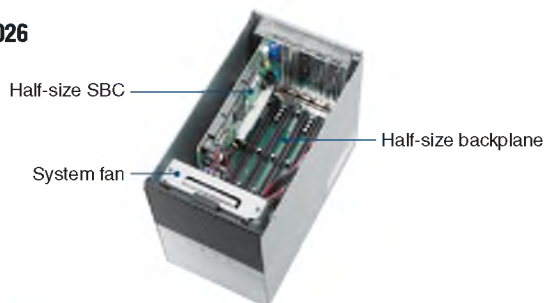


Rear View



Interior View

IPC-3026

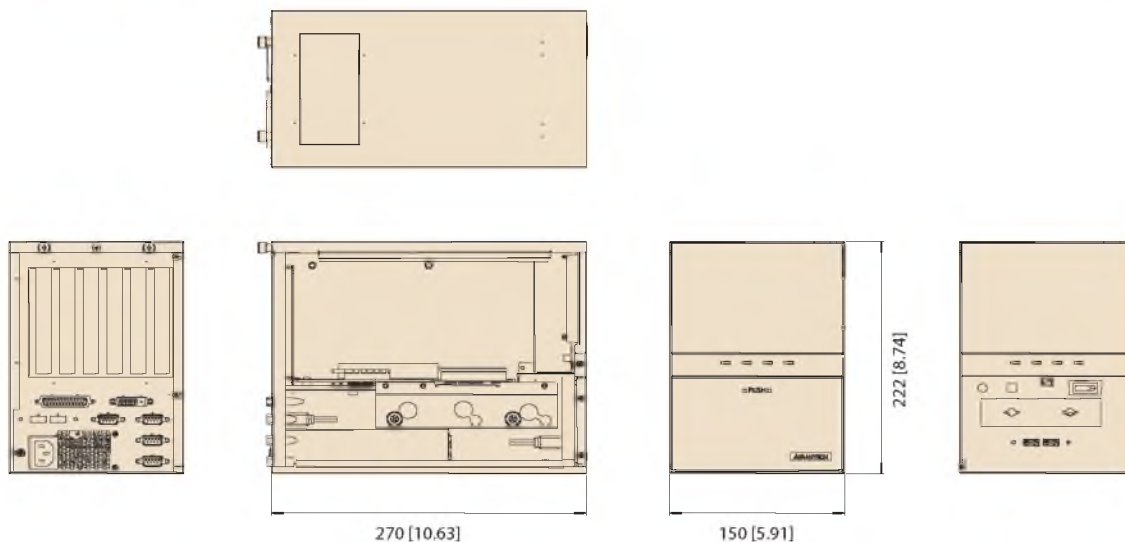


IDT-3120E



Dimensions

Unit: mm [inch]



Ordering Information

Model name	Power Supply
IPC-3026BP-15ZE	1757003464

Backplane Options

Part Number	Slot	Segment
PCA-6106-0B2E	6 ISA	Single
PCA-6105P5-0B2E	2 PCI	Single

Power Supply Options

(For detailed power supply specs, please refer to Chapter 6)

Part number	Specifications	
	Watt	Input
1757003464 [ATX, PFC]	150W	AC 100 ~ 240 V (full-range)

Optional Accessories

Ordering P/N	Description
IDT-3120E	Mobile rack for dual 2.5" SATA HDDs with a 3.5" drive bay occupancy

IPC-7120

Compact Desktop/Wallmount Chassis with Front I/O Interfaces & Expansion Slots for ATX Motherboard

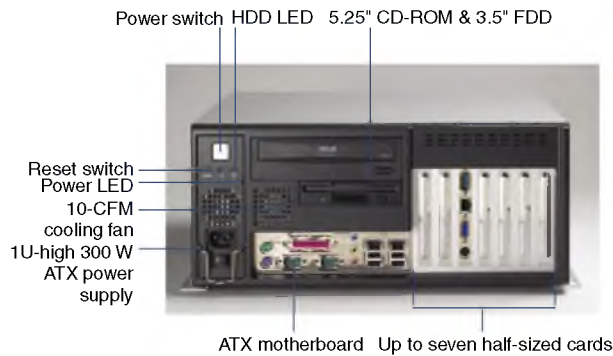


Features

- Streamlined in-chassis airflow design supporting LGA775 Pentium® 4 CPU with suggested CPU cooler
- All I/O interfaces are in the front
- Shock-resistant drive bay to hold one 5.25" and two 3.5" drives (one external & one internal)
- Supports up to seven half-sized add-in cards in the front
- LED indicators for power status and HDD activity
- Equipped with 1U-high 300 W ATX/PFC power supply
- Easy-to-replace air filter

Specifications

Disk Drive Bay		Front-accessible	Internal
	5.35"	1	
	3.5"	1	1
Cooling	Fan	1 (85 CFM) + 1 (10 CFM)	
	Air Filter	1 (133 x 112 mm)	
Miscellaneous	Control	Power on/off switch and system reset button	
	LED Indicators	Power status and HDD activity	
Environment	Temperature	Operating 0 – 40° C (32 – 104° F)	Non-Operating -20 – 60° C (-4 – 140° F)
	Humidity	10 – 85 % @ 40° C, non-condensing	
	Vibration (5 – 500 Hz)	1 Grms	2 G
	Shock	10 G (with 11 ms duration, half sine wave)	30 G
	Acoustic Noise	Less than 52 dB sound pressure at 5 – 28° C (41 – 82° F)	
	Altitude	0 to 3,048 m (0 – 10,000 ft)	
Physical Characteristics	Dimensions (W x H x D)	380 x 164 x 307 mm (15" x 6.5" x 12.1")	
	Weight	9.0 kg (19.8 lb)	



User-friendly mechanical design for installing an add-on card



Solid disk drive housing & easy-to-maintain fan filter

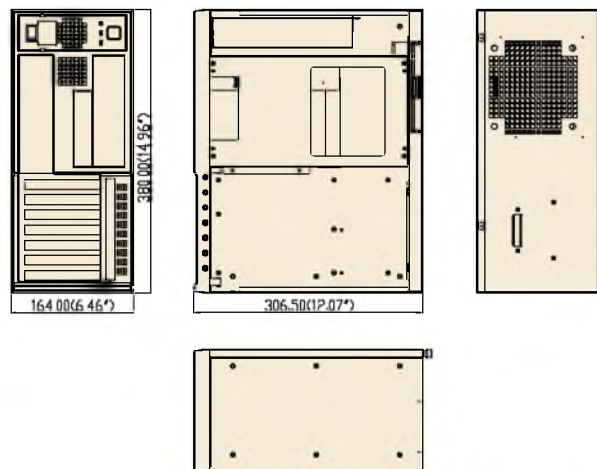


Plug ring-lock securely fastens the power cord



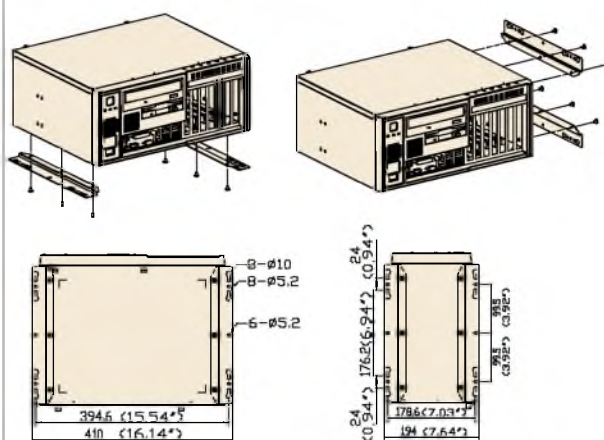
Shock-resistant drive bay for holding an internal 3.5" HDD

Dimensions



Unit: mm (inch)

Installation



Unit: mm (inch)

Power Supply Options

Part Number	Watt	Input	Output	Specifications		
				Mini-load	Safety	MTBF
1757000229G (ATX, PFC)	300 W	AC 100 ~ 240 V (full-range)	+5 V @ 25 A, +3.3 V @ 14 A, +12 V @ 16 A, -5 V @ 0.5 A, -12 V @ 1.0 A, +5 Vsb @ 2.0 A	+5 V @ 3 A, +3.3 V @ 1.0 A, +12 V @ 2 A, -5 V @ 0.05 A, -12 V @ 0.05 A, +5 Vsb @ 0.1 A	UL/TUV/CB/CCC	100,000 hrs @ 25° C

Accessories

Part Number	Description
96CD-52X-I-AS-B3	Black 5.25" 52X CD-ROM
96DVR-40X-I-AS-B	Black 5.25" 16X/40X/24X DVDRW-ROM
96FDD-144-TE-B1	Black 3.5" FDD
1750000257	2U-high Socket 478 P4 CPU cooler up to 3.2 GHz (89 W)
1750000332	2U-high LGA775 P4 CPU cooler up to 3.8 GHz

Ordering Information

Part Number	Power Supply	Motherboard	Regulation
IPC-7120-30ZE	1757000229G	-	CE

IPC-7132

Cost-effective Wallmount Chassis for ATX/mATX Motherboard and 10-slot Backplane



Features

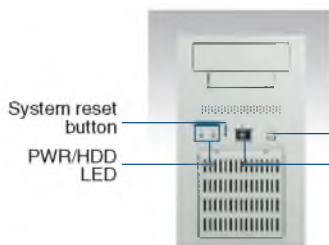
- Supports ATX/mATX MB and 10 slot Backplane
- Shock-resistant to hold one 5.25" ODD and three 3.5" HDD
- Supports optional two 2.5" HDD within one 3.5" mobile HDD tray
- Thumb-screw design for top cover opening easily
- Optional PS/2 80 plus bronze 300W/400W power supply
- Bi-directional options to mount chassis on the wall or workbench



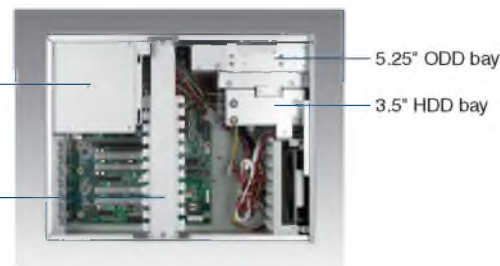
Specifications

Disk Drive Bay	3.5"	Front-accessible 1	Internal 2
	5.25"	1	-
Cooling	Fan	1 (12 cm/85 CFM)	
	Air Filters	Yes	
Front I/O interface	USB	2	
Miscellaneous	LED Indicators	Power, HDD	
	Control	Power Switch, System Reset Button	
	Rear panel	4x USB, 2x DB-9, 1x LPT port	
Environment	Temperature	Operating 0 ~ 40° C (32 ~ 104° F)	Non-operating -20 ~ 60° C (-4 ~ 140° F)
	Humidity	10 ~ 85 % @ 40° C, non-condensing	10 ~ 95 % @ 40° C, non-condensing
	Vibration (5-500 Hz)	1G	2 G
	Shock	10 G (with 11 ms duration, half sine wave)	
Physical Characteristics	Dimensions (W x H x D)	200 x 330 x 430 mm (7.9" x 13" x 16.9")	
	Weight	9.96 kg (21.93 lb)	

Front view

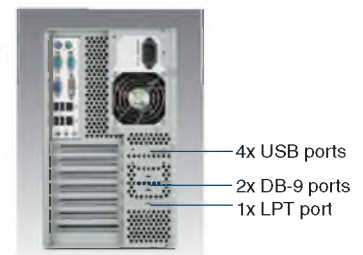


Inside view



IPC-7132MB

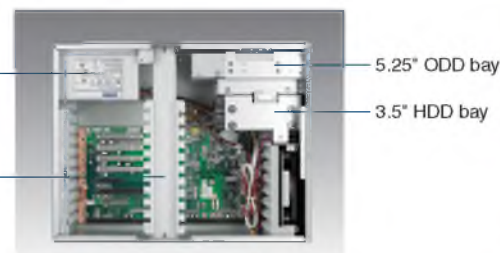
Rear view



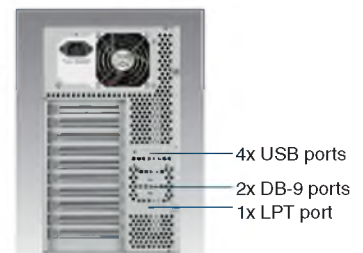
IPC-7132MB



Easy-to-maintain cooling fan



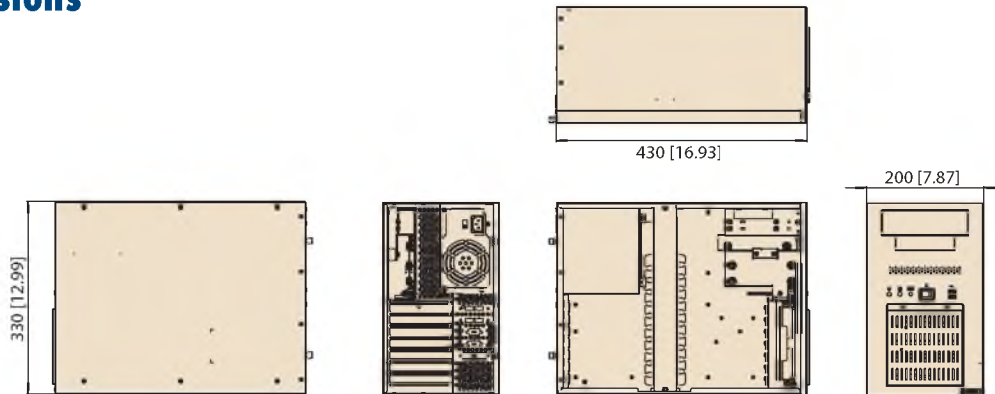
IPC-7132BP



IPC-7132BP

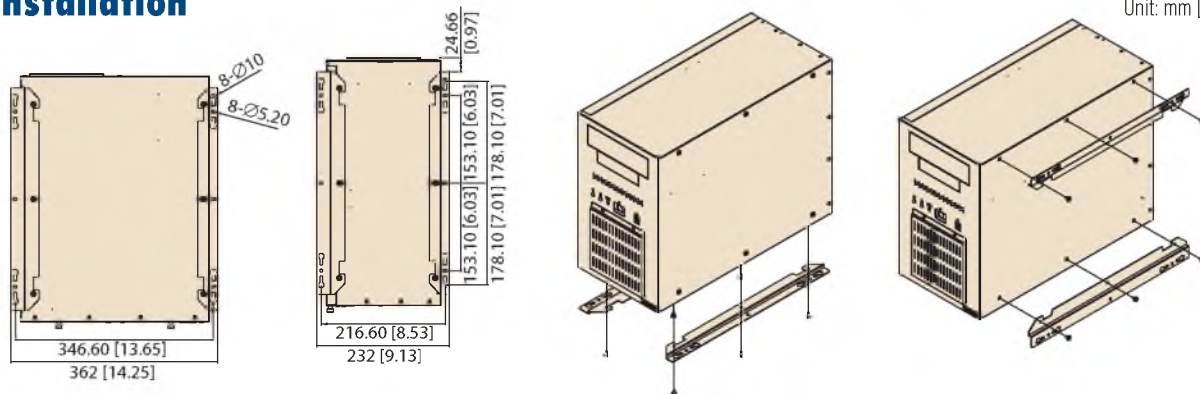
Dimensions

Unit: mm [inch]



Installation

Unit: mm [inch]



Ordering Information

Model name	Power Supply
Motherboard Version	
IPC-7132MB-00XE	Without power supply, with ATX switch
Backplane Version	
IPC-7132BP-00XE	Without power supply, with ATX switch

Backplane Options

Model	PICMG 1.3	PCIe	PCI-X	PCI
PCE-5B09-06A1E	PICMG 1.3	1 (PCIe x4)	-	6
PCE-5B09-04A1E	PICMG 1.3	3 (PCIe x4)	-	4

Power Supply Options

Part number	Watt	Input
PS8-300ATX-ZBE (ATX,PFC)	300 W	AC 100 ~ 240 V (full range)
PS8-400ATX-ZE (ATX,PFC)	400 W	AC 100 ~ 240 V (full range)

Optional Accessories

Part Number	Description
IDT-3120E	Mobile HDD tray for dual 2.5" SATA HDDs
1750006427	87.87 CFM, system fan 120 x 120 x 25.0 mm
1990001392	Filter cover for IPC-7220 A1

IPC-7130

Desktop/Wallmount Chassis with Dual SAS/SATA HDD Trays for ATX/MicroATX Motherboard

NEW



CE FCC RoHS

Features

- Stylish design with 7 expansion slots in the rear
- Shock-resistant drive bay holds one 5.25" disk drive and three 3.5" disk drives (two 3.5" HDD trays and one internal 3.5" drive bay)
- Lockable front door prevents unauthorized access
- LED indicators and alarm notification for system fault detection, including Power, HDD, Temp, Fan
- Bidirectional options to mount chassis on the wall or workbench
- Optional PS/2 300 W/ 400 W power supply

Specifications

Disk Drive Bay	3.5"	Front-accessible 2 SAS / SATA HDDs	Internal 1
	5.25"	1	-
Cooling	Fan	1 (12 cm/85 CFM) + 1 (6 cm/27.7CFM)	
	Air Filters	Yes	
I/O Interface	USB	2 (Front accessible)	
Miscellaneous	LED Indicators	Power, fan, temperature, HDD	
	Front Panel	Power, HDD, Temp, Fan	
Environment	Temperature	Operating 0 ~ 40° C (32 ~ 104° F)	Non-operating -20 ~ 60° C (-4 ~ 140° F)
	Humidity	10 ~ 85 % @ 40° C, non-condensing	
	Vibration (5-500 Hz)	0.5 G	
	Shock	10 G (with 11 ms duration, half sine wave)	
Physical Characteristics	Dimensions (W x H x D)	200 x 320 x 480 mm (7.9" x 12.6" x 18.9")	

Inside view



Easy-to-maintain power supply bracket



Hold-down clamp

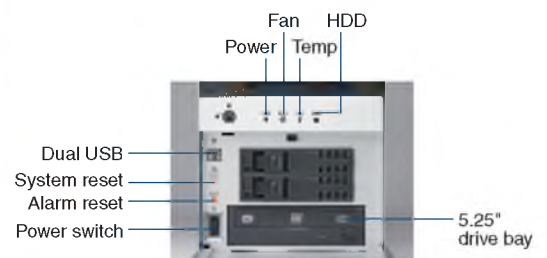


Easy-to-maintain reusable fan filter



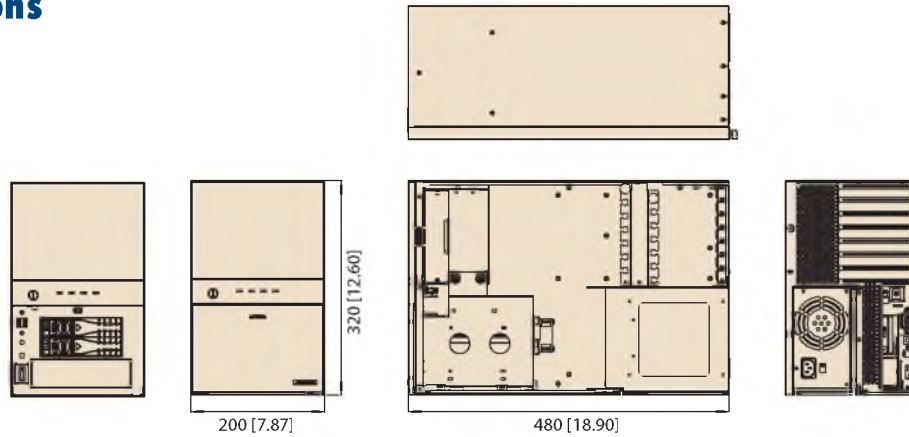
Dual SAS/SATA HDD trays

Rear view



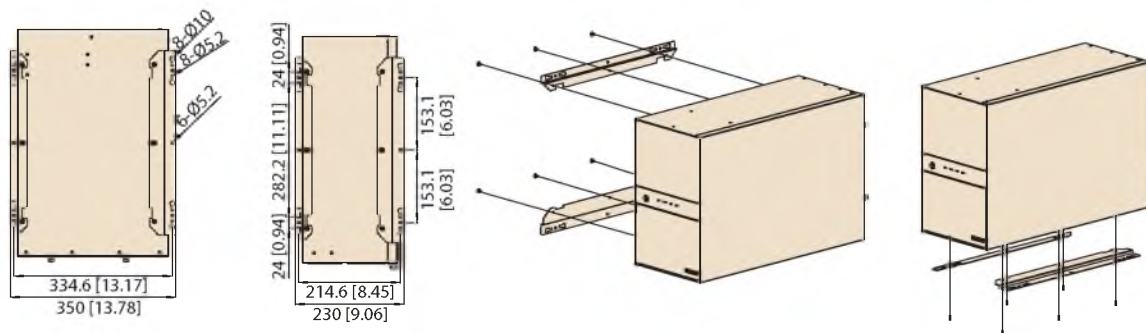
Dimensions

Unit: mm [inch]



Installation

Unit: mm [inch]



Ordering Information

Part Number	Power Supply
IPC-7130-00XE	Without power supply, with ATX switch

Optional Accessories

Part Number	Description
1750006427	87.87 CFM, system fan 120 x 120 x 25.0 mm
2130006149S000	Filter cover for IPC-6608 A1

Power Supply Options

Part Number	Watt	Input
PS8-300ATX-ZBE (ATX,PFC)	300 W	AC 100 - 240 V (full range)
PS8-400ATX-ZE (ATX,PFC)	400 W	AC 100 - 240 V (full range)
RPS-300ATX-ZE (ATX, PFC)	300 W	AC 100 - 240 V (full range)
1+1 (Redundant)		

IPC-5120/7120

Desktop/Wallmount Chassis for MicroATX/ATX Motherboard with Front I/O Interfaces



IPC-7120



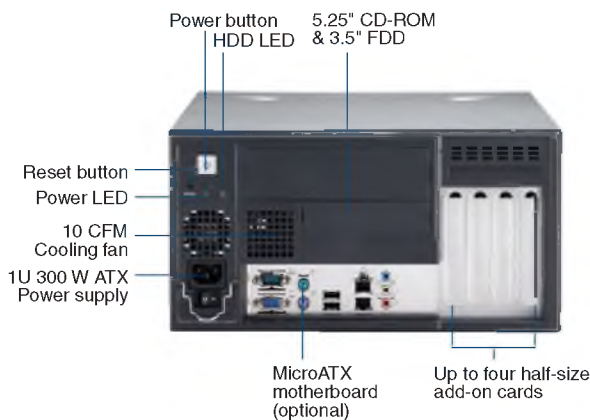
Features

- All I/O interfaces are in the front
- Shock-resistant drive bay to hold one 5.25" and two 3.5" disk drives
- Supports up to four half-size add-on cards in the front
- LED indicators for power status and HDD activity
- Equipped with 1U, 300 W ATX/PFC power supply
- Easy-to-replace air filter

Specifications

Drive Bay	5.25"	Front-accessible	1	Internal	-
	3.5"		1		1
Cooling	Fans		1 (12 cm / 85 CFM) + 1 (4 cm / 10 CFM)		
	Air Filter		Yes		
Miscellaneous	LED Indicators		Power status and HDD activity		
	Control		Power switch and system reset button		
Environment	Temperature	Operating	0 ~ 40° C (32 ~ 104° F)	Non-Operating	-20 ~ 60° C (-4 ~ 140° F)
	Humidity		10 ~ 85% @ 40° C, non-condensing		10 ~ 95% @ 40° C, non-condensing
	Vibration (5 ~ 500 Hz)		1 Grms		2 G
	Shock		10 G (with 11 ms duration, half sine wave)		30 G
	Physical Characteristics	Dimensions (W x H x D)		IPC-5120: 320 x 164 x 316.5 mm (12.6" x 6.5" x 12.5")	
	Weight		IPC-5120: 8.0 kg (17.6 lb)		IPC-7120: 9.0 kg (19.8 lb)

Front View



Inside View



Easy-to-maintain fan filter



Shock-resistant drive bay for holding an internal 3.5" HDD



Plug ring-lock securely fastens the power cord

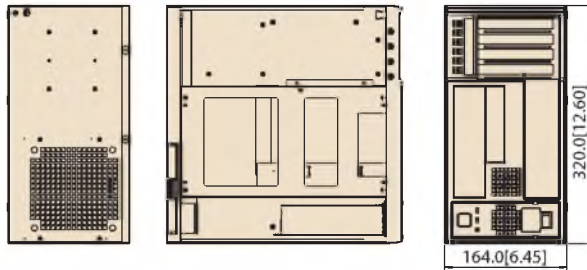


User-friendly mechanical design for installing an add-on card

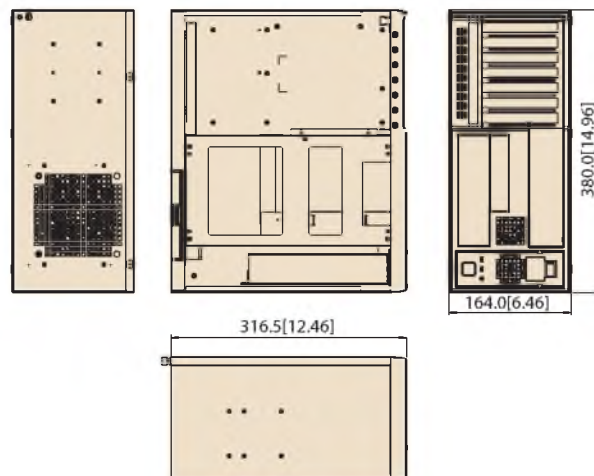
Dimensions

Unit: mm [inch]

IPC-5120



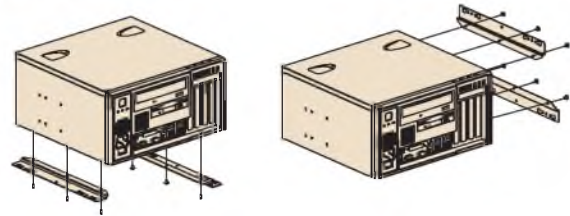
IPC-7120



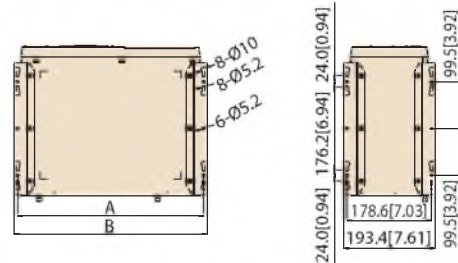
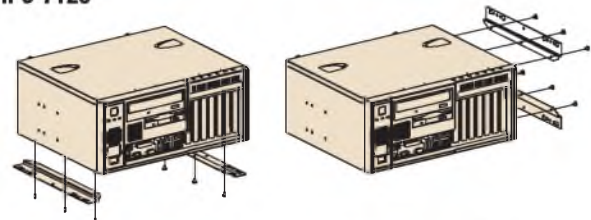
Installation

Unit: mm [inch]

IPC-5120



IPC-7120



Dimensions

	IPC-5120	IPC-7120
A	334.6 [13.17]	394.6 [15.53]
B	350.0 [13.78]	410.0 [16.14]

Ordering Information

Part Number	Power Supply	Motherboard	Regulations
IPC-5120-25ZBE	1757000557	-	CE
IPC-5120-30ZBE	1757000229G	-	CE
IPC-7120-25ZBE	1757000557	-	CE
IPC-7120-30ZBE	1757000229G	-	CE

Power Supply Options

(For detailed power supply specs, please refer to Chapter 6)

Part Number	Specifications	
	Watts	Input
1757000557 (ATX, PFC)	250 W	AC100-240V (full-range)
1757000229G (ATX, PFC)	300 W	AC100-240V (full-range)

IPC-6006

6-Slot Backplane Card Cage



Features

- Optimized open-frame card cage design for embedded systems
- Adjustable hold-down clamp protects cards from vibration
- Plug-in termination resistors for high-speed signals
- Terminal-block connectors supply power from board
- Supports 6-slot backplanes
- Mounting holes provided for installing one PS/2 power supply, one 3.5" HDD, and one cooling fan

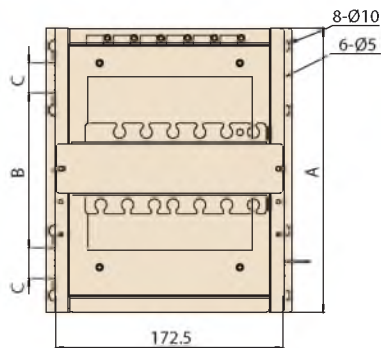
Specifications

Model Name	IPC-6006	IPC-6006S
Supported Backplanes	PCA-6106-0B2E PCA-6106P3-0D2E PCA-6106P4-0A2E PCA-6105P5-0B2E PCA-6106P3-0D2E	PCA-6106-0B2E PCA-6105P5-0B2E
Dimensions (W x H x D)	158 x 186 x 368 mm (6.2" x 7.3" x 14.5")	158 x 186 x 215 mm (6.2" x 7.3" x 8.4")
Weight	2.2 kg (4.8 lb)	1.6 kg (3.5 lb)

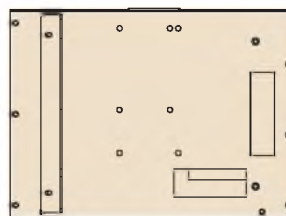
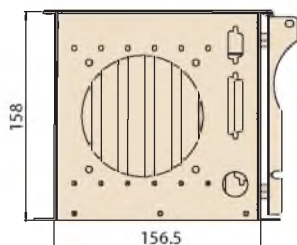


Dimensions

Unit: mm [inch]



Dimensions	
IPC-6006	IPC-6006S
A	368
B	270
C	24



Ordering Information

Part Number	Description
IPC-6006-BAREE	Card cage without backplane
IPC-6006S-BAREE	Half-size card cage without backplane

Passive Backplane Options

Part Number	Slot	Segment
PCA-6106-0B2E	6 ISA	Single
PCA-6106P3-0D2E	2 ISA, 2 PCI, 1 PICMG/PCI, 1 PICMG	Single
PCA-6106P4-0A2E	4 PCI, 2 PICMG	Single
PCA-6105P5-0B2E	5 PCI	Single

IPC-6606/6608

6/8-Slot Desktop/Wallmount Chassis with PS/2 or Redundant Power Supply



Features

- Bidirectional options to mount the chassis on the wall or workbench
- Supports versatile 6/8-slot backplanes to hold 6/8 full-size cards
- One/two front-accessible 5.25" disk drives and one 3.5" FDD
- High-speed cooling fan supports abundant cooling and streamlined ventilation
- Shockproof and anti-vibration drive bay design for industrial applications
- Two front-accessible USB ports
- Optional redundant 300 W ATX available for IPC-6608 series



Specifications

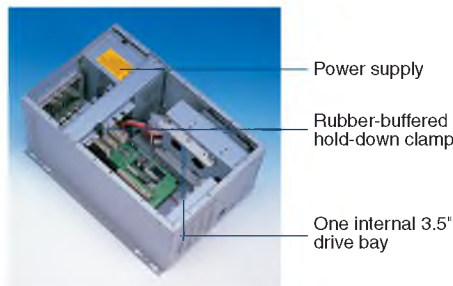
Model Name		IPC-6606	IPC-6608
Drive Bay	5.25"	1	2
	3.5"	2 (1 front-accessible, 1 internal)	1
Front I/O Interface	USB	2	2
Cooling	Fan	1 (9 cm / 53 CFM)	1 (12 cm / 85 CFM)
	Air Filter	Yes	
Miscellaneous	LED Indicators	Power and HDD	
	Control	Power switch and reset button	
Environment	Temperature	0 - 40° C (32 - 104° F), operating	
	Humidity	10 - 85% @ 40° C, non-condensing	
Physical Characteristics	Dimensions (W x H x D)	173 x 254 x 396 mm (6.8" x 10" x 15.6")	173 x 315 x 410 mm (6.8" x 12.4" x 16.1")
	Weight	9 kg (19.8 lb)	11 kg (24.2 lb)

Front View

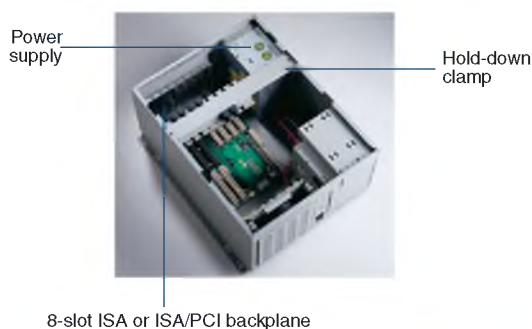
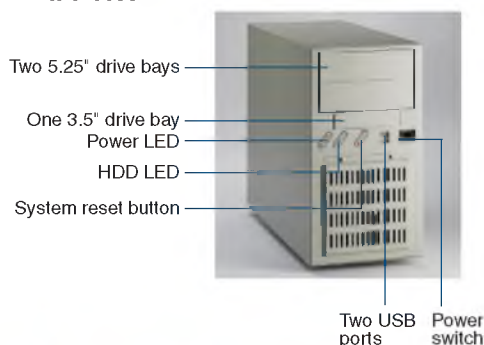
IPC-6606



Inside View



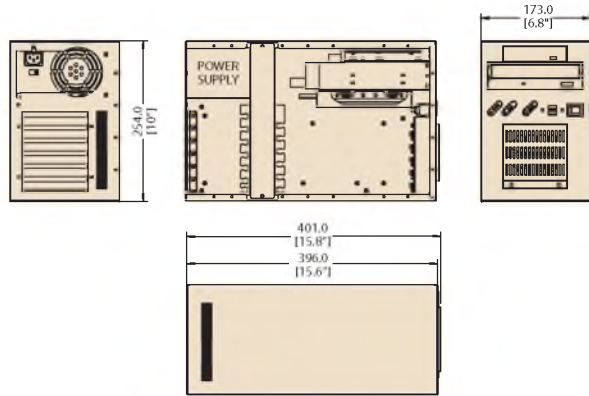
IPC-6608



Dimensions

Unit: mm [inch]

IPC-6606



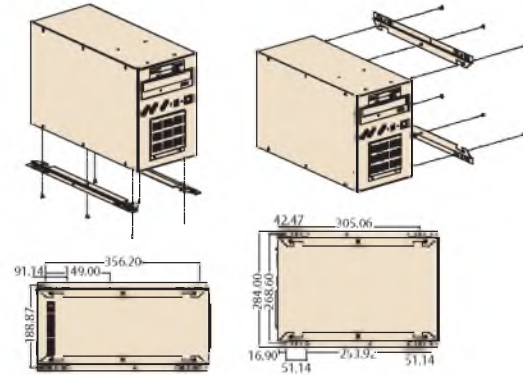
IPC-6608



Installation

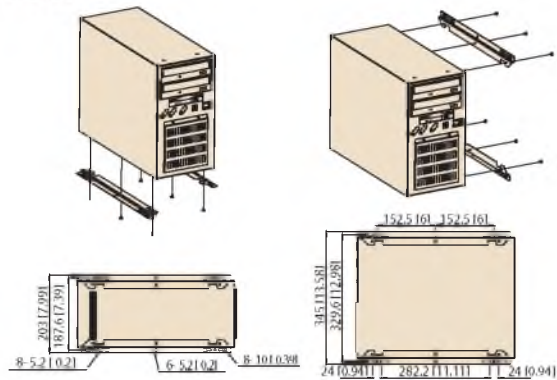
Unit: mm [inch]

IPC-6606



Bidirectional mounting

IPC-6608



Ordering Information

Part Number	Power Supply	Backplane	Regulation	Switch
IPC-6606				
IPC-6606BP-00XE	-	-	-	AT/ATX
IPC-6606BP-25ZE	1757000117G	-	CE	AT
IPC-6606P3-25ZE	1757000117G	PCA-6106P3-0D2E	CE	AT
IPC-6606P3-30CE	1757003840	PCA-6106P3-0D2E	CE	ATX
IPC-6606BP-30CE	1757003840	-	CE	ATX
IPC-6608				
IPC-6608BP-00E	-	-	-	AT/ATX
IPC-6608BP-25ZE	1757000117G	-	CE	ATX
IPC-6608BP-30CE	1757003840	-	CE	ATX

Optional Accessories

Part Number	Description
1999806020	Fan filter 100 x 90 x 3 mm (for IPC-6606)
1999806030	Fan filter 127 x 127 x 5 mm (for IPC-6608)
IDT-3120E	Mobile rack for converting a 3.5" drive bay to dual 2.5" SATA HDD trays
IDT-5230E	Mobile rack for converting dual 5.25" drive bays to three 3.5" SAS/SATA HDD trays

Power Supply Options

(For detailed power supply specs, please refer to Chapter 7)

Part Number	Specifications	
	Watts	Input
PS-250ATX-ZE (ATX, PFC)	250 W	AC 115 / 230 V (selectable)
PS8-300ATX-ZBE (ATX, PFC)	300 W	AC 110 ~ 240 V (full-range)
RPS-300ATX-ZE (ATX, PFC) (Only for IPC-6608)	300 W	AC 100 ~ 240 V (full-range)
RPS-400ATX-ZE (Only for IPC-6608)	400 W	AC 100 ~ 240 V

IPC-6908

8-Slot Desktop/Wallmount Chassis with Front Alarm Notification



Features

- 8-slot desktop/wallmount industrial computer chassis
- Shock-resistant drive bay with rubber cushions
- LED indicators and audible alarm notification for system fault detection
- Easy-to-open top-cover, no screwdriver required
- One hot-swappable 9 cm / 53 CFM system fans
- Various 8-slot backplane options
- 250 W / 300 W / 400 W ATX PS/2 and 300W ATX redundant power supply options

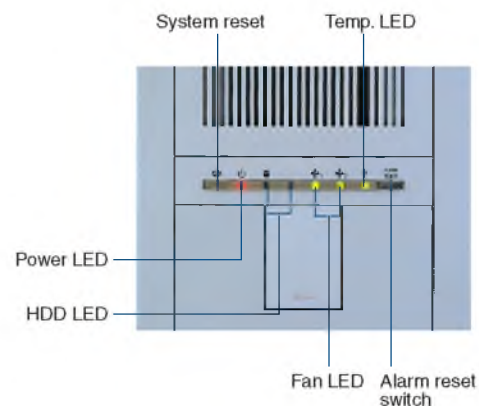


Specifications

Drive Bay	5.25"	Front-accessible	Internal
	3.5"	2	-
Cooling	Fan	1 (hot-swappable, 9 cm / 53 CFM each)	
	Air Filter	Yes	
Miscellaneous	LED Indicators	Power, HDD, temperature and fan	
	Control	System reset and alarm reset	
Environment	Temperature	Operating	Non-Operating
		0 ~ 40° C (32 ~ 104° F)	-20 ~ 60° C (-4 ~ 140° F)
	Humidity	10 ~ 85% @ 40° C, non-condensing	
	Vibration (5 ~ 500 Hz)	1 Grms	
Physical Characteristics	Dimensions (W x H x D)	200 x 300 x 463 mm (7.9" x 11.8" x 18.2")	
	Weight	12 kg (26.4 lb)	

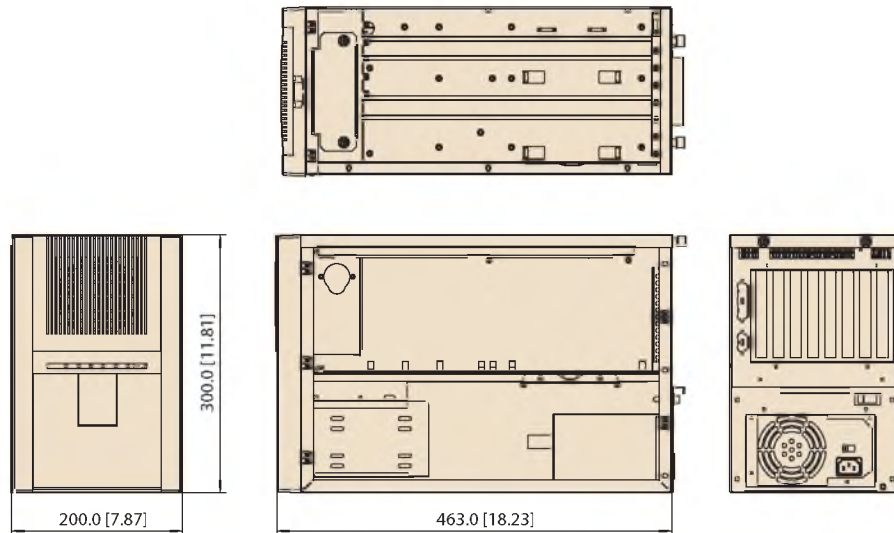


Hot-swappable cooling fan module contains one 53 CFM cooling fans



Dimensions

Unit: mm [inch]



Ordering Information

Part Number	Power Supply	Backplane	Regulations	Switch
IPC-6908BP-BE	-	-	-	AT/ATX
IPC-6908BP-30CE	1757003840	-	CE	ATX

Optional Accessories

Part Number	Description
1701400971	HDD cable, ATA 33, 62 cm + 35 cm
1701400973	HDD cable, ATA 66/100, 62 cm + 35 cm
1999908000	Fan filter 92 x 92 x 5 mm
IDT-3120E	Mobile rack for converting a 3.5" drive bay to dual 2.5" SATA HDD trays
IDT-5230E	Mobile rack for converting dual 5.25" drive bays to three 3.5" SAS/SATA HDD trays

Power Supply Options

(For detailed power supply specs, please refer to Chapter 6)

Part Number	Specifications	
	Watts	Input
PS-250ATX-ZE (ATX, PFC)	250 W	AC 115 / 230 V (selectable)
PS8-300ATX-ZBE (ATX, PFC)	300 W	AC 100 ~ 240 V (full-range)
PS8-400ATX-ZE (ATX, PFC)	400 W	AC 100 ~ 240 V (full-range)
PS-300ATX-DC48E (ATX)	300 W	DC -48 V
RPS-300ATX-ZE (ATX, PFC)	300 W	AC 100 ~ 240 V (full-range)

IPC-7220

Quiet Desktop/Wallmount Chassis Ready for ATX Motherboard



Features

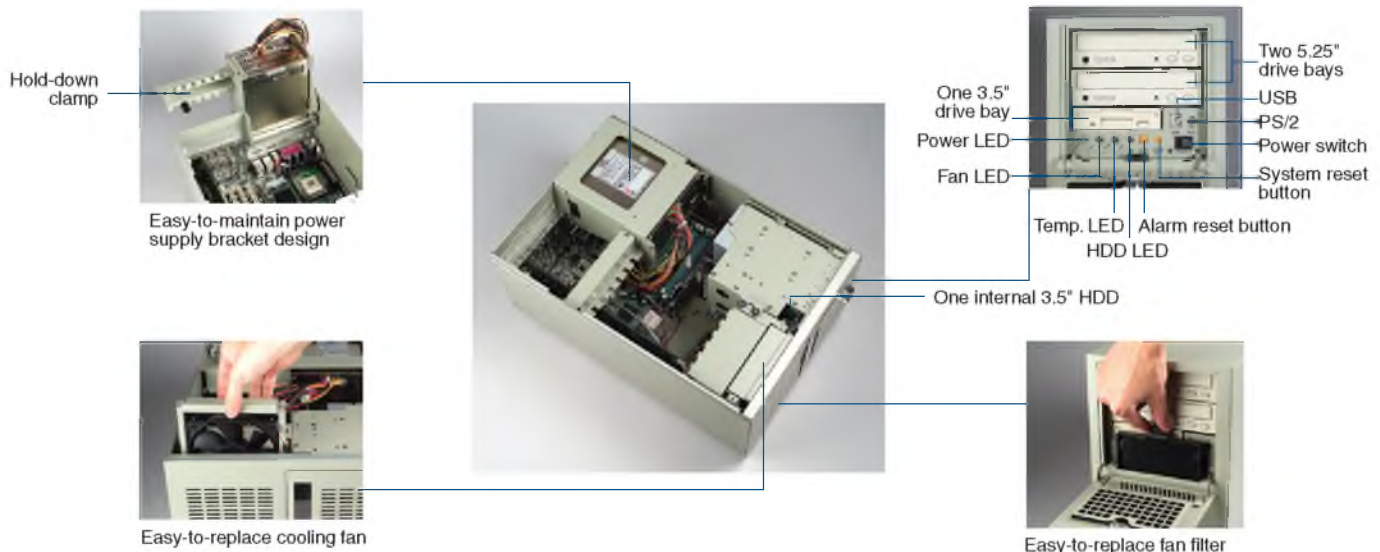
- Quiet version provides low-noise solution
- Shock-resistant drive bay designed to hold two 5.25" and two 3.5" disk drives (one front-accessible & one internal)
- Lockable front door prevents unauthorized access
- LED indicators for fault detection and alarm notification
- Easy-to-maintain air filters
- Optional 300W, 400W redundant power supply

Quiet



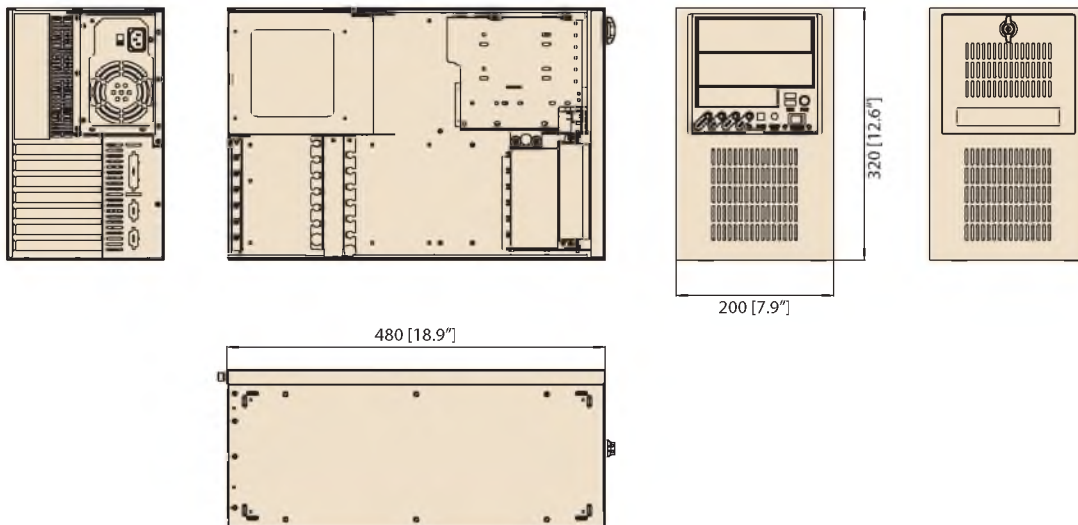
Specifications

Drive Bay	5.25"	Front-accessible	Internal
	3.5"	2	-
Cooling	Fan	1 (12 cm / 85 CFM)	
	Air Filters	2 (one 7 x 12 cm and one 12 x 12 cm)	
Front I/O Interface	USB	2	
	PS/2	PS/2 keyboard and mouse, or PS/2 keyboard depends on the enclosed motherboard	
Miscellaneous	LED Indicators	Power, HDD, temperature and fan	
	Control	Power switch, system reset and alarm reset buttons	
	Rear Panel	Reserved Two 9-pin D-Sub openings, one LPT opening	
Environmental	Temperature	Operating	Non-Operating
		0 - 40° C (32 - 104° F)	-20 - 60° C (-4 - 140° F)
	Humidity	10 - 85% @ 40° C, non-condensing	10 - 95% @ 40° C, non-condensing
	Vibration (5 - 500 Hz)	1 Grms	2 G
	Shock	10 G (with 11 ms duration, half sine wave)	30 G
Physical Characteristics	Dimensions (W x H x D)	200 x 320 x 480 mm (7.9" x 12.6" x 18.9")	
	Weight	14 kg (30.8 lb)	



Dimensions

Unit: mm [inch]



Ordering Information

Model Name	Power Supply
MB Version	
IPC-7220-00XE	Without power supply, with ATX switch
Quiet Version	
IPC-7220-00XQE	Barebone Chassis with low-noise fans, w/o power supply, ready for AIMB-767/781/782/581

Optional Accessories

Part Number	Description
2130007989S000	Fan filter 133 x 112 x 5 mm
2130004793S000	Door filter
IDT-3120E	Mobile rack for converting a 3.5" drive bay to dual 2.5" SATA HDD trays
IDT-5230E	Mobile rack for converting dual 5.25" drive bays to three 3.5" SAS/SATA HDD trays

Power Supply Options

(For detailed power supply specs, please refer to Chapter 6)

Part Number	Watts	Specifications Input
PS8-300ATX-ZBE (ATX, PFC)	300 W	AC 100 ~ 240 V (full-range)
RPS-300ATX-ZE (ATX, PFC) (1+1 redundant)	300 W	AC 100 ~ 240 V (full-range)
PS8-400ATX-ZE (ATX, PFC)	400 W	AC 100 ~ 240 V (full-range)
RPS-400ATX-ZE (ATX, PFC) (1+1 redundant)	400 W	AC 100 ~ 240 V (full-range)

IPC-6608

8-slot Desktop/Wallmount Chassis with PS/2 Power Supply



Features

- Equipped with an 8-slot ISA or ISA/PCI backplane to hold eight full-length cards
- Two front accessed 5.25" half-height disk drive and one 3.5" FDD
- High pressure cooling fan supports abundant cooling and streamlined ventilation
- Vibration protected driver mounting for industrial applications

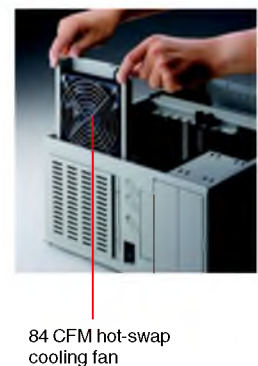
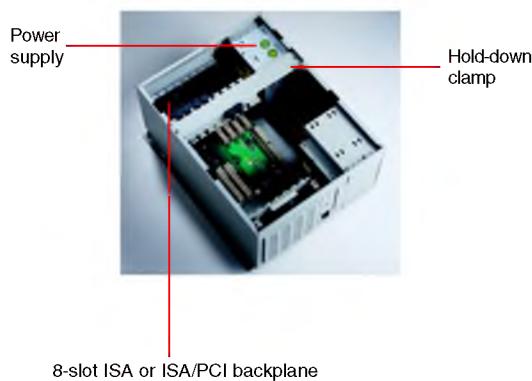
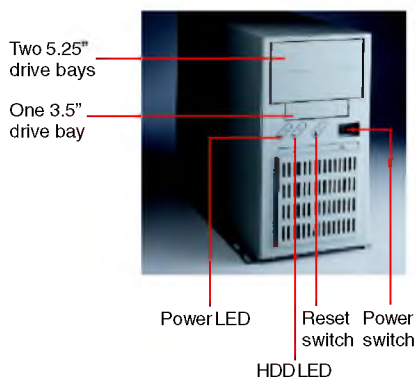
Introduction

Specifically designed for factory floors and other harsh industrial environments, the IPC-6608 Wall-mount industrial computer chassis is ideal for system integrators or users who require a compact, rugged PC/AT compatible system. The IPC-6608 features an 8-slot passive

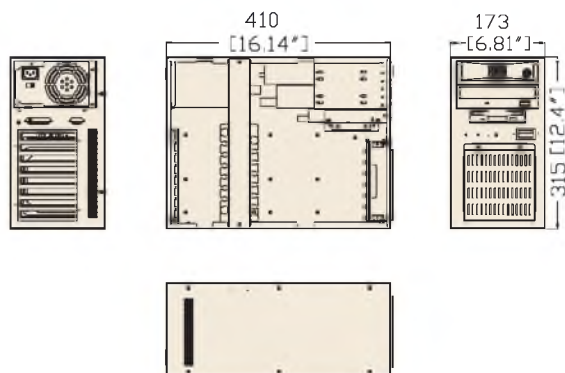
backplane and a wide selection of power supplies to meet different application needs. The chassis is only 6.8" wide and can easily be mounted bi-directionally on panels or walls with the supplied bracket.

Specifications

Drive Bay	3.5"	Front-accessible
	5.25"	1
Cooling	Fan	1 (hot-swap, 84 CFM)
	Air Filter	Yes
Miscellaneous	Control	Front panel power switch and reset switch
	Indicator	LEDs for power On/Off and HDD activity
Environment	Temperature	0 ~ 40 °C (32 ~ 104 °F), operating
	Humidity	10 ~ 95 % @ 40 °C, non-condensing
Physical	Dimensions (W x H x D)	173 x 315 x 410 mm (6.8" x 12.4" x 16.1")
	Weight	5.6 Kg (12.3 lb)

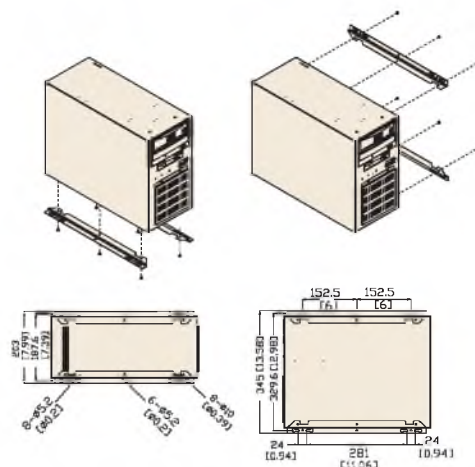


Dimension Diagram



Unit: mm (inch)

Installation



Unit: mm (inch)

Passive Backplane Options

B/P Model Name	Slot	Segment
PCA-6108E-0C1	8 ISA	Single
PCA-6108P4-C	3 ISA, 3 PCI, 1 PICMG/PCI, 1 PICMG	Single
PCA-6108P6-B	1 ISA, 5 PCI, 1 PICMG/PCI, 1 PICMG	Single

Ordering Information

Part Number	With Power Supply	With Backplane	Regulation
IPC-6608BP-00	--	--	None
IPC-6608BP-25Z	PS-250ATX-Z	--	UL, cUL, CE
IPC-6608BP-26P	PS-260-610E	--	UL, cUL
IPC-6608BP-30Z	PS-300ATX-Z	--	UL, cUL, CE
IPC-6608BP-25R	RPS-250-SDTP	--	None

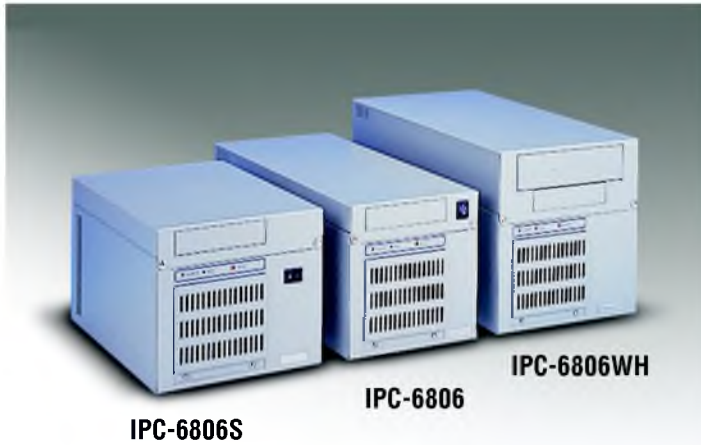
Power Supply Options

Part Number	Specifications					
	Watt	Input	Output	Mini-load	Safety	MTBF
PS-250ATX-Z (ATX, PFC)	250 W	AC 95 ~ 132 V AC 190 ~ 264 V (Selectable)	+5 V @ 27 A +3.3 V @ 20 A +12 V @ 13 A -12 V @ 0.8 A -5 V @ 0.3 A +5 Vsb @ 2 A	+5 V @ 0.5 A +12 V @ 0.3 A	UL/cUL/CSA, (UL60950 3rd)/CE EN61000-3-2Class D/TUV/CB	100,000 hours @ 25 °C full load
PS-260-610E (AT)	260 W	AC 110/220 V	+5 V @ 25 A +12 V @ 9 A -5 V @ 0.5 A -12 V @ 2 A	+5 V @ 1 A +12 V @ 0.1 A	UL/CSA/CE/ TUV	140,000 hours @ 50 °C full load
PS-300ATX-Z (ATX, PFC)	300 W	AC 90 ~ 135 V AC 180 ~ 265 V (Full-range)	+5 V @ 30 A +3.3 V @ 24 A +12 V @ 15 A -12 V @ 0.8 A -5 V @ 0.3 A +5 Vsb @ 2 A	+5 V @ 1 A +12 V @ 0.5 A +3.3 V @ 0.3 A	UL/cUL/CSA/ CE EN61000-3-2 Class D/TUV/ Nordic/CB	100,000 hours @ 25 °C 275 W load
RPS-250-SDTB (AT)	230 W/ 200 W @ 40 °C	AC 110/220 V	+5 V @ 25 A +12 V @ 12 A -5 V @ 1 A -12 V @ 1 A	+5 V @ 4 A +12 V @ 1 A	UL/CSA/TUV	250,000 hours @ 30 °C full load



IPC-6806

6-slot Desktop/Wallmount Chassis with Open Frame PFC Power Supply



Features

- Supports 6-slot ISA or ISA/PCI backplane to hold six cards
- Equipped with one 49-CFM cooling fan with air filter
- IPC-6806WH is especially equipped with a front-mounted 5.25" drive bay reserved for a CD-ROM drive
- Equipped with 200 W PFC/150 W PFC/100 W open frame power supply

Introduction

Specially designed for factory floor and other harsh industrial environments, the IPC-6806 wallmount IPC chassis is ideal for system integrators or users who require a compact, rugged PC/AT-compatible

system. The IPC-6806 features a 6-slot passive backplane and a 150-watt power supply. The chassis is less than 8" wide and can be easily mounted on panels or walls with the supplied brackets.

Common Specifications for IPC-6806 Series

Cooling	Fan	1 (49 CFM)
	Air Filter	Yes
Miscellaneous	Control	Power On/Off switch and CPU reset button
	Indicator	LEDs for power On/Off and HDD activity
Environment	Temperature	0 ~ 50 °C (32 ~ 122 °F), operating
	Humidity	10 ~ 95 % @ 40 °C, non-condensing

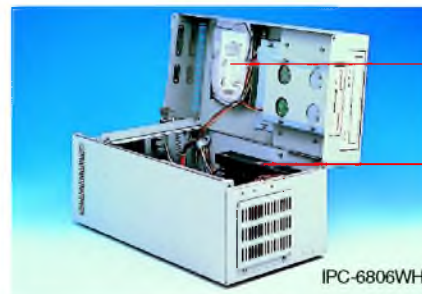
Selection Guide

Model Name	IPC-6806BP-20ZB	IPC-6806WHB-20Z	IPC-6806SBP-15Z
Disk Drive Bay	3.5" FDD x1 3.5" HDD x1	5.25" CD-ROM x1 3.5" FDD x1 3.5" HDD x1	3.5" FDD x1 3.5" HDD x1
Power Supply	200 W PFC	200 W PFC	150 W PFC
Backplane	PCA-6106-B, PCA-6106P3-0C1, PCA-6105P5-0B1	PCA-6106-B, PCA-6106P3-0C1, PCA-6105P5-A2, PCA-6105P5-0B1	PCA-6106-B, PCA-6105P5-0B1 (for half-sized card only)
Dimensions (W x H x D)	166 x 170 x 393 mm (6.5" x 6.7" x 15.4")	198 x 213 x 393 mm (7.8" x 8.4" x 15.4")	196 x 170 x 282 mm (7.7" x 6.7" x 11.1")
Weight	5.6 Kg (12.3 lb)	6 Kg (13.2 lb)	4.5 Kg (9.9 lb)



One 49-CFM cooling fan with air filter

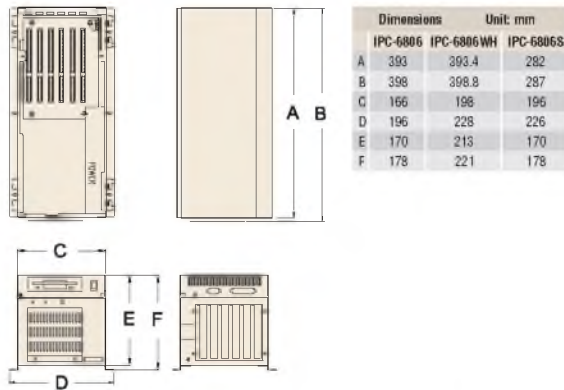
3.5" FDD



One internal 3.5" drive bay

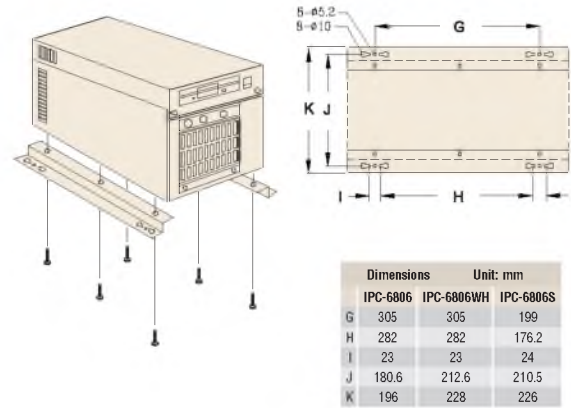
Easy access to internal components

Dimension Diagram



Unit: mm (inch)

Installation



Unit: mm (inch)

Passive Backplane Options

B/P Model Name	Slot	Segment
PCA-6106-B	6 ISA	Single
PCA-6106P3-0C1	2 ISA, 2 PCI, 1 PICMG/PCI, 1 PICMG	Single
PCA-6105P5-0B1	5 PCI	Single

Power Supply Options

Part Number	Specifications					
	Watt	Input	Output	Mini-load	Safety	MTBF
OP-20PZ (IPC-6806, IPC-6806WH)	200 W	AC 90 ~ 264 V (Full-range)	+5 V @ 16 A +12 V @ 9 A -5 V @ 0.2 A -12 V @ 0.7 A +3.3 V @ 14 A +5 Vsb @ 1.5 A	+5 V @ 2 A +12 V @ 1 A -5 V @ 0.1 A -12 V @ 0.1 A +3.3 V @ 1 A +5 Vsb @ 0.1 A	UL/TÜV/ CB	50,000 hours
OP-15PZ (IPC-6806S only)	150 W	AC 90 ~ 264 V (Full-range)	+5 V @ 14 A +12 V @ 6 A -5 V @ 0.5 A -12 V @ 0.8 A +3.3 V @ 10 A +5 Vsb @ 1.5 A	+5 V @ 2 A +12 V @ 1 A -5 V @ 0.1 A -12 V @ 0.1 A +3.3 V @ 1 A +5 Vsb @ 0.1 A	UL/TÜV/ CB	50,000 hours

Ordering Information

Part Number	With Power Supply	With Backplane	Regulation
IPC-6806BP-20ZB	OP-20PZ	--	UL, cUL, CE
IPC-6806-20ZB	OP-20PZ	PCA-6106-B	UL, cUL, CE
IPC-6806P3-20ZB	OP-20PZ	PCA-6106P3-0C1	UL, cUL, CE
IPC-6806WHB-20Z	OP-20PZ	--	UL, cUL, CE
IPC-6806WH-20Z	OP-20PZ	PCA-6106-B	UL, cUL, CE
IPC-6806WHP-20Z	OP-20PZ	PCA-6106P3-0C1	UL, cUL, CE
IPC-6806SP5-15Z	OP-15PZ	PCA-6105P5-0B1	UL, cUL, CE
IPC-6806SBP-15Z	OP-15PZ	--	UL, cUL, CE
IPC-6806S-15Z	OP-15PZ	PCA-6106-B	UL, cUL, CE



По вопросам продаж и поддержки обращайтесь:

Архангельск (8182)63-90-72
Астана +7(7172)727-132
Белгород (4722)40-23-64
Брянск (4832)59-03-52
Владивосток (423)249-28-31
Волгоград (844)278-03-48
Вологда (8172)26-41-59
Воронеж (473)204-51-73
Екатеринбург (343)384-55-89
Иваново (4932)77-34-06
Ижевск (3412)26-03-58
Казань (843)206-01-48

Калининград (4012)72-03-81
Калуга (4842)92-23-67
Кемерово (3842)65-04-62
Киров (8332)68-02-04
Краснодар (861)203-40-90
Красноярск (391)204-63-61
Курск (4712)77-13-04
Липецк (4742)52-20-81
Магнитогорск (3519)55-03-13
Москва (495)268-04-70
Мурманск (8152)59-64-93
Набережные Челны (8552)20-53-41

Нижний Новгород (831)429-08-12
Новокузнецк (3843)20-46-81
Новосибирск (383)227-86-73
Орел (4862)44-53-42
Оренбург (3532)37-68-04
Пенза (8412)22-31-16
Пермь (342)205-81-47
Ростов-на-Дону (863)308-18-15
Рязань (4912)46-61-64
Самара (846)206-03-16
Санкт-Петербург (812)309-46-40
Саратов (845)249-38-78

Смоленск (4812)29-41-54
Сочи (862)225-72-31
Ставрополь (8652)20-65-13
Тверь (4822)63-31-35
Томск (3822)98-41-53
Тула (4872)74-02-29
Тюмень (3452)66-21-18
Ульяновск (8422)24-23-59
Уфа (347)229-48-12
Челябинск (351)202-03-61
Череповец (8202)49-02-64
Ярославль (4852)69-52-93