

Промышленные компьютеры для монтажа в панели управления серии IPРС

ТЕХНИЧЕСКИЕ ХАРАКТЕРИСТИКИ

По вопросам продаж и поддержки обращайтесь:

Архангельск (8182)63-90-72
Астана +7(7172)727-132
Белгород (4722)40-23-64
Брянск (4832)59-03-52
Владивосток (423)249-28-31
Волгоград (844)278-03-48
Вологда (8172)26-41-59
Воронеж (473)204-51-73
Екатеринбург (343)384-55-89
Иваново (4932)77-34-06
Ижевск (3412)26-03-58
Казань (843)206-01-48

Калининград (4012)72-03-81
Калуга (4842)92-23-67
Кемерово (3842)65-04-62
Киров (8332)68-02-04
Краснодар (861)203-40-90
Красноярск (391)204-63-61
Курск (4712)77-13-04
Липецк (4742)52-20-81
Магнитогорск (3519)55-03-13
Москва (495)268-04-70
Мурманск (8152)59-64-93
Набережные Челны (8552)20-53-41

Нижний Новгород (831)429-08-12
Новокузнецк (3843)20-46-81
Новосибирск (383)227-86-73
Орел (4862)44-53-42
Оренбург (3532)37-68-04
Пенза (8412)22-31-16
Пермь (342)205-81-47
Ростов-на-Дону (863)308-18-15
Рязань (4912)46-61-64
Самара (846)206-03-16
Санкт-Петербург (812)309-46-40
Саратов (845)249-38-78

Смоленск (4812)29-41-54
Сочи (862)225-72-31
Ставрополь (8652)20-65-13
Тверь (4822)63-31-35
Томск (3822)98-41-53
Тула (4872)74-02-29
Тюмень (3452)66-21-18
Ульяновск (8422)24-23-59
Уфа (347)229-48-12
Челябинск (351)202-03-61
Череповец (8202)49-02-64
Ярославль (4852)69-52-93

IPPC-7157A

15" XGA TFT LCD Pentium® D/Pentium® 4/ Celeron® D Industrial Panel PC with 7 x PCI/PCle Slots and Membrane Keypad

NEW



Features

- Pentium® D up to 3.2 GHz/Pentium 4 up to 3.8 GHz/Celeron® D up to 3.06 GHz
- 15" XGA TFT LCD with touchscreen (optional) provides vivid, sharp images
- Offers 7 expansion slots for PCI and PCIe interface
- Detachable side-open front panel makes maintenance fast & easy
- Programmable membrane function keys for varied application access
- Heavy-duty design with anti-rust chassis with aluminum front panel (NEMA4/IP65)
- One front accessible USB 2.0 port

Introduction

The IPPC-7157 is a brand new ID designed Industrial Panel PC with 15" XGA TFT LCD. It supports ATX industrial mother board with 7 PCI/PCle expansion slots. IPPC-7157 provides many powerful features such as detachable side-open front panel module, a front-access USB2.0 port, programmable membrane function keys & touch pad, OSD Control, NEMA4/IP65 compliant aluminum front panel, optional analog resistive touchscreen (USB Interface).

Specifications

General

- **Button Control** Membrane Keypad 1 - 43 operating keys
Membrane Keypad 2 - 10 programmable macro function keys
- **BIOS** Award™ 8 Mbit FWH
- **Certifications** BSMI, CCC, CE, FCC
- **Cooling System** 1 x 49 CFM fan w/50,000 hrs MTBF
- **Dimensions (W x H x D)** 482 x 354.8 x 162 mm (18.97" x 13.96" x 6.37")
- **Disk Drive Bay** Supports one FDD, two 3.5" HDD & one CD-ROM (all optional)
- **Enclosure** Front Panel - Aluminum.
Chassis - anti-rust
- **Mounting** 19" Rack
- **Power Input** 100-240 Vac, 10A, 60-50 Hz
- **Power Output** +5 V @ 30 A, +12 V @ 15 A, +3.3 V @ 28 A,
-5 V @ 0.3 A, -12 V @ 0.8 A, +5 VSB @ 2 A
- **Power Supply** Watt: 300 W, MTBF: 100,000 hrs
- **Weight (Gross)** 18 kg (39.7 lb)

System Hardware

- **Audio Ports** 1 x Mic-in, 1 x Line-out
- **Chipset** Intel 945G + ICH7R
- **CPU** Socket 775,
Intel Pentium D up to 3.2 GHz (Dual-core)
Intel Pentium 4 up to 3.8 GHz
Intel Celeron D up to 3.06 GHz
- **Expansion Slots** 1 x PCIe x16 4.0 GB/s per direction
1 x PCIe x4 1.0 GB/s per direction
5 x PCI 32-bit/33 MHz
- **Keyboard/Mouse** 2 x PS/2 for mouse & keyboard interface
- **LAN** 2 x 10/100/1000Base-T

- **Memory** Four 240-pin Dual channel DDR2 DIMM sockets supports up to 4 GB (Clock 266)
- **Parallel Port** 1 x enhanced parallel port, supports SPP/EPP/ECP parallel mode. BIOS configurable to LPT1, LPT2, LPT3 or disabled
- **Serial Port** 1 x RS-232/422/485 on pin header
1 x RS-232 on rear I/O
- **USB Port** 1 x USB 2.0 on front panel
4 x USB 2.0 on rear I/O

LCD Display

- **Backlight Life** 50,000 hrs
- **Contrast Ratio** 500 : 1
- **Display Size** 15"
- **Display Type** XGA TFT LCD
- **Luminance** 250 cd/m²
- **Max. Colors** 16.2 M (RGB 6-bit + FRC data)
- **Max. Resolution** 1024 x 768
- **OSD Control** ON/OFF, Brightness down, up (behind the front panel)
- **Viewing Angle (H/V°)** 140/120

Touchscreen (Optional)

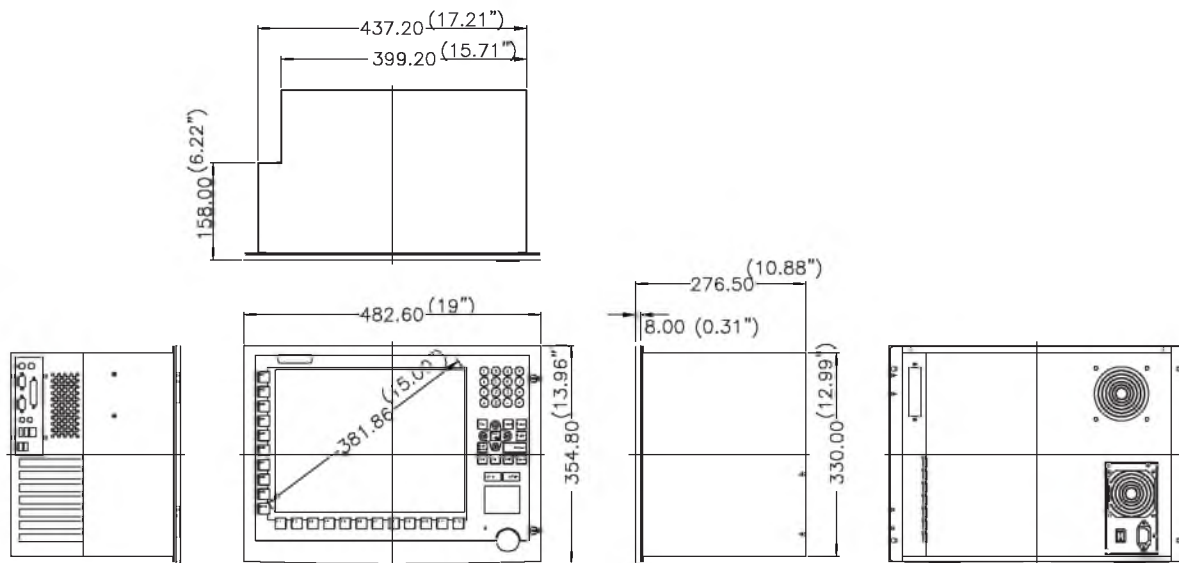
- **Interface** USB
- **Lifespan** 10 million with a silicone rubber of R8 finger, writing rate is by 250g at 2 times/s
- **Light Transmission** > 80% (AMT)
- **OS Support** Windows® 95/98/ME/2000/XP/CE/NT/Vista. Linux
- **Type** 8-wire Resistive

Environment

- **Humidity** 5 - 85% RH @ 40° C (non-condensing)
- **Ingress Protection** Front panel NEMA4/IP65
- **Operating Temperature** 0 - 50° C (32 - 122° F)
- **Storage Temperature** -20 - 60° C (-4 - 140° F)
- **Vibration Protection** 5 - 500 Hz, 1 G_{RMS} random vibration (operating)

Dimensions

Unit: mm



CUT OUT Dimensions 439.20(17.29")x332.00(13.07")

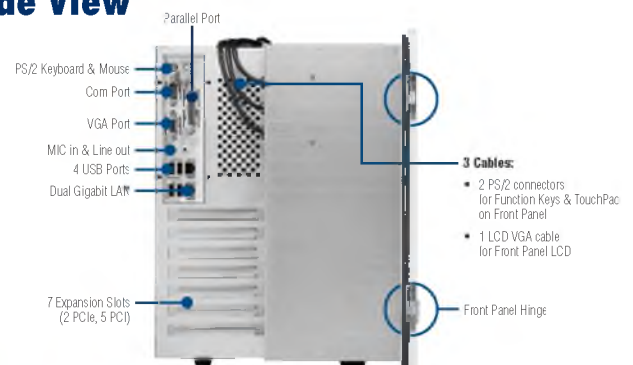
Ordering Information

- **IPPC-7157A-X1AE** 15" Pentium D Industrial Panel PC with 7 x PCI/PCle slots
- **IPPC-7157A-R1AE** 15" Pentium D Industrial Panel PC with 7 x PCI/PCle slots and resistive touchscreen

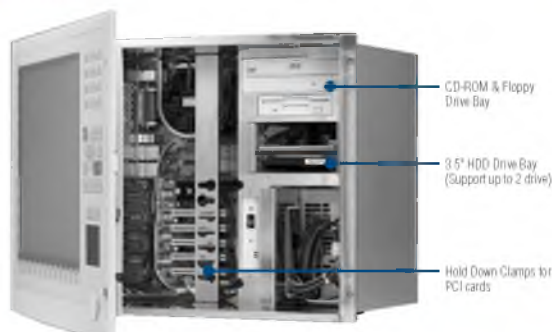
Accessories

- **1702002600** Power Cable US Plug 1.8 M
- **1702002605** Power Cable EU Plug 1.8 M
- **1702031801** Power Cable UK Plug 1.8 M
- **1702031836** Power Cable China/Australia Plug 1.8 M

Side View



Open View

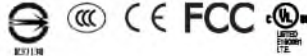


Rear View



IPPC-9151G

15" XGA TFT LCD Pentium® 4 Industrial Panel PC with 2 x PCI Slots



Features

- Intel® Pentium® 4 processor up to 2.8 GHz
- 15" XGA TFT LCD provides vivid, sharp and large images
- Offers two expansion slots for PCI add-on cards
- Front access USB connector
- Heavy-duty stainless steel chassis with aluminum front panel
- Strengthened glass protects the front panel from shock damage and is NEMA4/IP65 compliant
- Built-in CD-ROM supports one 3.5" IDE/SATA HDD Drive
- Hard anodic coating to prevent panel abrasion and acid corrosion
- Supports industrial mounting rack and panel mounting
- Supports resistive touchscreen (Optional)

Introduction

IPPC-9151G is a fully functional computer system with support for CPUs of different classes (Pentium 4 up to 2.8 GHz) and resolution up to 1024 x 768 to meet the demands of today's high-end industrial software. IPPC-9151G is a rugged unit with an aluminum panel, tempered glass 15" TFT LCD, a stainless steel structure and two expansion slots. IPPC-9151G is rugged enough to handle the toughest industrial operating environments. With optional mounting accessories, from panels to racks, it can be mounted anywhere.

Specifications

General

- **BIOS** Award® 256 KB Flash BIOS
- **Certifications** BSMI, CCC, CE, FCC, UL
- **Cooling System** 2 x 10.1 CFM fans w/50,000 hrs MTBF
- **Dimensions (W x H x D)** 428 x 310 x 162 mm (16.85" x 12.2" x 6.37")
- **Disk Drive Bay** Supports one 3.5" IDE/SATA HDD and built-in slim CD-ROM
- **Enclosure** Stainless steel back case, 10 mm aluminum front panel
- **Mounting** Panel, rack
- **Power Input** 100 ~ 240 V_{AC} @ 50 ~ 60 Hz, 4-2 A
- **Power Output** + 5 V @ 15 A, +12 V @ 5 A, -12 V @ 0.5 A
- **Power Supply** 180 W, MTBF: 100,000 hrs
- **Weight (Gross)** 13 kg (28.66lb)

System Hardware

- **Audio Ports** Mic-in, Line-in, Line-out, and game port
- **Chipset** Intel 845 GV
- **CPU** Socket 478 Intel Pentium 4 up to 2.8 GHz
Intel Celeron® up to 2.5 GHz (400/533 MHz)
- **Expansion Slots** 2 x low-profile PCI
- **IEEE-1394 Ports** 2 x IEEE 1394 ports (Firewire)
- **Keyboard/Mouse** 1 x PS/2 mouse and keyboard interface
- **LAN** 1 x 10/100Base-T
- **Memory** Two 184 pin DDR DIMM sockets supports up to 2 GB (Clock 266)
- **Parallel Ports** 1 x standard parallel port
1 x enhanced parallel port, supports SPP/EPP/ECP parallel mode.
BIOS configurable to LPT1, LPT2, LPT3 or disabled
- **PCMCIA Slots** 2 x Type II
- **Serial Ports** 1 x RS-232, 1 x RS-232/422/485
- **USB Ports** 5 x USB 2.0 (one at front)
- **Video Ports** S-Video

LCD Display

- **Backlight Life** 50,000 hrs
- **Contrast Ratio** 400 : 1
- **Display Size** 15"
- **Display Type** XGA TFT LCD
- **Luminance** 350 cd/m²
- **Max. Colors** 262K,144K
- **Max. Resolution** 1024 x 768
- **OSD Control** LCD ON/OFF, Brightness drop, up
- **Viewing Angle (H/V°)** 120/100

Touchscreen (Optional)

- **Interface** USB
- **Lifespan** 10 million touches at single point
- **Light Transmission** 80%
- **OS Support** Windows 95/98/2000/XP, Linux
- **Type** Analog resistive (8-wire)

Environment

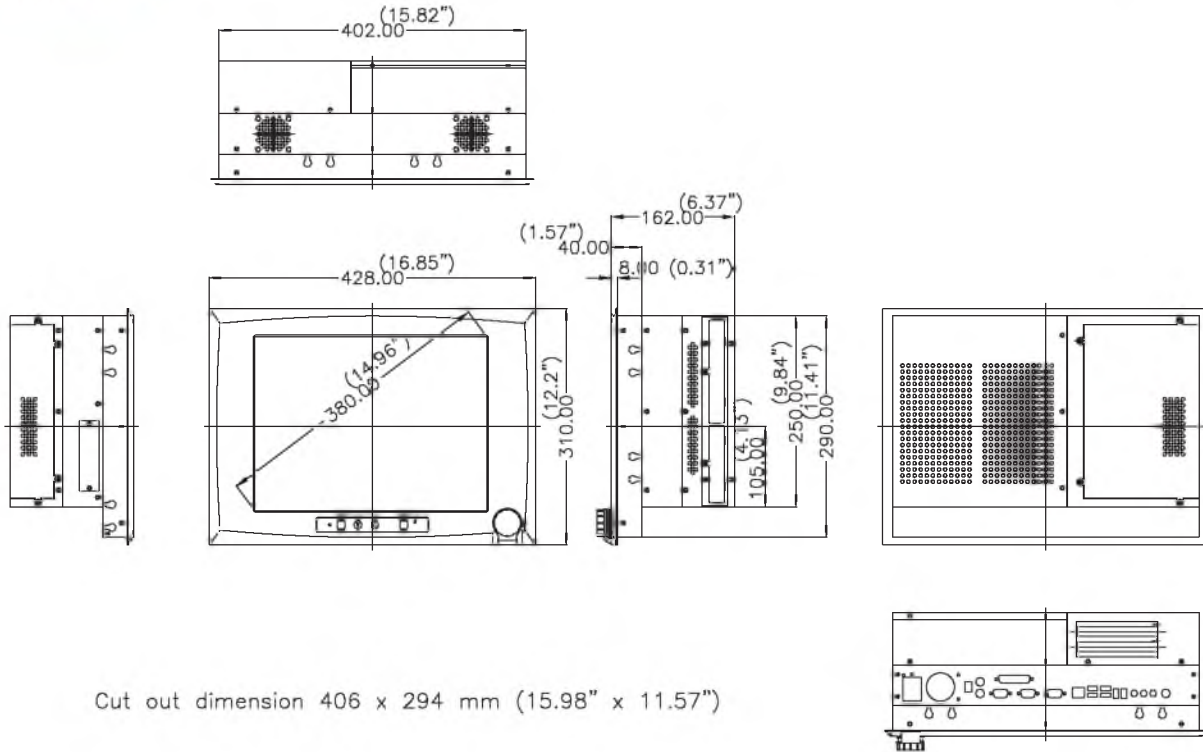
- **Humidity** 5 ~ 85% @ 40° C (non-condensing)
- **Ingress Protection** Front panel: NEMA4/IP65
- **Operating Temperature** 0 ~ 50° C (32 ~ 122° F)
- **Storage Temperature** -20 ~ 60° C (-4 ~ 140° F)
- **Vibration Protection** 5 ~ 500 Hz, 1 G_{RMS} random vibration

Ordering Information

- **IPPC-9151G-XAE** 15" XGA LCD Industrial Panel PC with 2 x PCI Slots
- **IPPC-9151G-RAE** 15" XGA LCD IPPC with 2 x PCI Slots and T/S

Dimensions

Unit: mm



Accessories

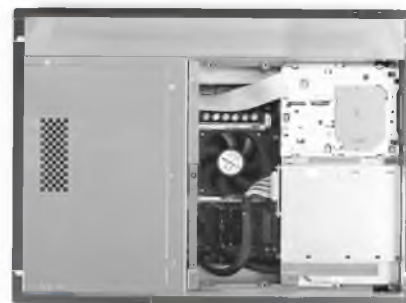
- **IPPC-9151G-RMKE** Mounting kit for standard 19" industrial rack

Notes:

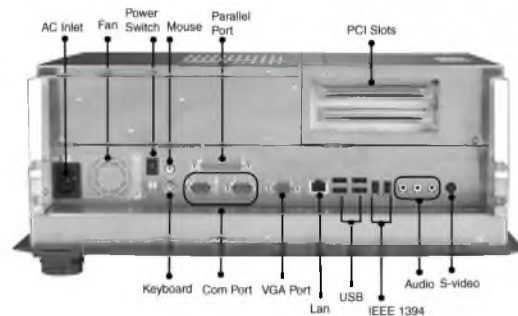
1. When used in a panel mounted environment, the panel's thickness can not be over 10 mm.

- **1702002600** Power Cable US Plug 1.8 M
- **1702002605** Power Cable EU Plug 1.8 M
- **1702031801** Power Cable UK Plug 1.8 M
- **1702031836** Power Cable China/Australia Plug 1.8 M

Back View



Bottom View



IPPC-8151S

15" XGA TFT LCD Celeron® M Fanless Industrial Panel PC with Stainless Steel

NEW



Features

- 316L stainless steel and food-safe sealing materials
- Robust and fanless design for reliable operation
- Anti-corrosive and chemical resistant touchscreen
- Designed with NEMA4X (IP66) dustproof and waterproof protection
- 15" XGA TFT LCD with chemical resistant touchscreen
- Supports Intel Celeron M 1 GHz/1 MB L2 processor with 1 GB memory
- Dual Gigabit Ethernet ports for control & monitoring
- Supports rich I/O and PCI slots
- Supports VESA/panel/stand/desk/wall/ and ceiling mounting (optional)
- All-around IP66 protection with enclosure kit (optional)
- Supports I/O connectors with IP66 protection (optional)

Introduction

To satisfy the stringent standards required in food, beverage, clinical, chemical or pharmaceutical applications, Advantech offers the IPPC-8151S designed with 316L stainless steel, food-safe sealing materials and an anti-corrosive and chemical resistant touchscreen. Its fanless design and NEMA4X/IP66 waterproof and dustproof protection can ensure reliable operation in any hazardous environment. With the optional enclosure kit and IP66 I/O connector kit, IPPC-8151S can provide a fully enclosed IP66 protection for all sides. Except for the panel mounting, IPPC-8151S also supports VESA, stand, desk, wall and ceiling mounting with the optional enclosure kit and stand kit.

Specifications

General

- **BIOS** Award 4MB Flash BIOS
- **Certifications** UL, CE, FCC, CCC, BSMI
- **Enclosure** Fanless with 316L stainless steel
- **Dimensions (W x H x D)** 400.00 x 313.6 x 90.44 mm (15.75" x 12.35" x 3.55")
- **OS Support** Windows 2000, XP Professional and WinXPe
- **Power Input** 10 ~ 30 V_{DC}, 18A
- **Power Output** +3.3 V @ 8 A, +5 V @ 10 A, -12 V @ 4 A, +5 Vsb @ 0.75 A, -12 V @ 1 A
- **Power Supply** 85 W
- **Weight (Gross)** 12 Kg (26.45 lbs)

System Hardware

- **CPU** Intel Celeron M 1.06GHz 1MB L2 on board
- **Chipset** Intel 945GME
- **Memory** 1GB SO-DIMM DDR2 200pin 667MHz (Supports 4GB Maximum)
- **LAN** 10/100/1000Base-T Ethernet x 2
- **Expansion** 1 x half-length PCI Slot
- **Storage** 1 x CompactFlash Slot, 1 x SATA HDD interface (2.5" HDD bay)
- **I/Os** 3 x RS-232, 4 x USB 2.0, 2 x PS2 (Keyboard, Mouse), 1 x VGA Port, 1 x Parallel Port, Mic-in, Line-in, Line-out

LCD Display

- **Backlight Life** 50,000 hrs
- **Contrast Ratio** 400:1
- **Display Size** 15"
- **Display Type** XGA TFT LCD
- **Luminance** 350 cd/m²
- **Max. Colors** 262,144
- **Max. Resolution** 1024 x 768
- **Viewing Angle (H/V°)** 120/100

Touchscreen

- **Lifespan** 10 millions times touch at single point
- **Light Transmission** >80%
- **Type** Analog resistive 5-wire

Environment

- **Humidity** 5 ~ 85% @ 40° C (non-condensing)
- **Ingress Protection** Front panel: NEMA 4X / IP66
- **Operating Temperature** 0 ~ 50° C (32 ~ 122° F)
- **Storage Temperature** -20 ~ 60° C (-4 ~ 140° F)
- **Vibration Protection** 5 ~ 500 Hz, 1Grms random vibration

Ordering Information

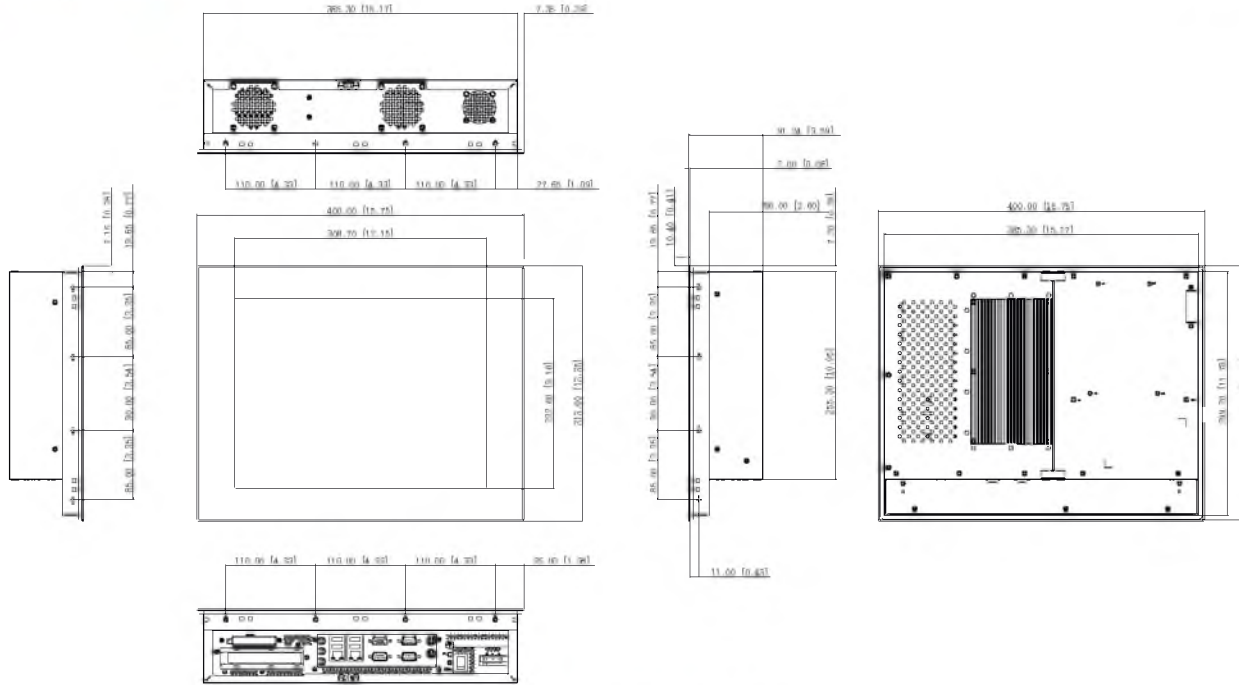
- **IPPC-8151S-ROAE** 15" Stainless Panel PC, Celeron M, 1GHz, TS

Accessories

- **IPPC-8151S-EMKE** IPPC-8151S IP66 all-around Enclosure kit
- **IPPC-8151S-SMKE** IPPC-8151S kit for desk, wall and ceiling mounting
- **IPPC-8151S-IMKE** IPPC-8151S IP66 I/O connector kit

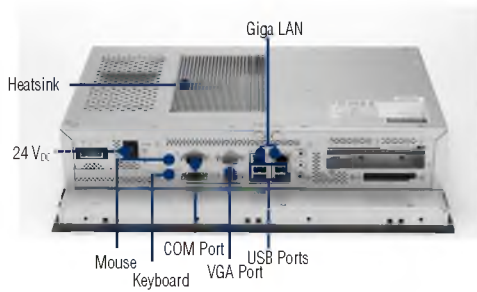
Dimensions

Unit: mm



Panel Cut-out Dimension: 388 x 301.5 mm

I/O View



I/O Connector Kit



Enclosure Kit



Stand Kit



IPPC-7158B

15" XGA TFT LCD Industrial Panel PC with 14 x ISA/PCI/PICMG Slots, Passive Backplane and Membrane Keypad

NEW



Features

- 15" XGA TFT LCD with touch screen (optional) provides vivid, sharp images
- Offers 14 expansion slots for PCI, PICMG and ISA.
- Detachable side-open front panel makes maintenance fast & easy
- Programmable membrane function keys for varied application access
- Heavy-duty design with anti-rust chassis with aluminum front panel which meet NEMA4/IP65
- One Front access USB 2.0 port

Introduction

The IPPC-7158 is a brand new Industrial Panel PC with 15" XGA TFT LCD. It supports passive backplane boards with ISA/PCI/PICMG expansion slots. IPPC-7158 provides many powerful features such as a detachable side-open front panel, a front-accessible USB 2.0 port, programmable membrane function keys & touch pad, OSD Control, NEMA4/IP65 compliant aluminum front panel, and optional analog resistive touchscreen (USB Interface).

Specifications

General

- **Button Control** Membrane Keypad 1 43 operating keys
Membrane Keypad 2 10 programmable macro function keys
- **BIOS** Award™ 8 Mbit FWH
- **Certifications** BSMI, CCC, CE, FCC
- **Cooling System** 1 x 49 CFM fan w/50,000 hrs MTBF
- **Dimensions (W x H x D)** 482 x 354.8 x 162 mm (18.97" x 13.96" x 6.37")
- **Disk Drive Bay** Supports one FDD, two 3.5" HDD & one CD-ROM (all optional)
- **Enclosure** Front Panel – Aluminum.
Chassis – anti-rust
- **Mounting** 19" Rack
- **Power Input** 100-240 Vac, 10 A, 60-50 Hz
- **Power Output** + 5 V @ 30 A, +12 V @ 15 A, +3.3 V @ 28 A.
-5 V @ 0.3 A, -12 V @ 0.8 A, +5 VSB @ 2 A
- **Power Supply** Watt: 300 W, MTBF: 100,000 hrs
- **Weight (Gross)** 18 kg (39.7 lb)

System Hardware

- **Backplane Segments** 1
- **Slots** 2 ISA, 10 PCI, 2 PICMG
- **Size** 315 x 260 mm (12.4" x 10.24")
- **PCI Bridge** Pericom PI7C8150MA
- **PCI Slot** Primary: 3 slots,
Secondary: 7 slots

LCD Display

- **Backlight Life** 50,000 hrs
- **Contrast Ratio** 450 : 1
- **Display Size** 15"
- **Display Type** XGA TFT LCD
- **Luminance** 250 cd/m²
- **Max. Colors** 16.2 M (RGB 6-bit + FRC data)
- **Max. Resolution** 1024 x 768
- **OSD Control** ON/OFF, Brightness down, up (behind the front panel)
- **Viewing Angle (H/V°)** 140/120

Touchscreen (Optional)

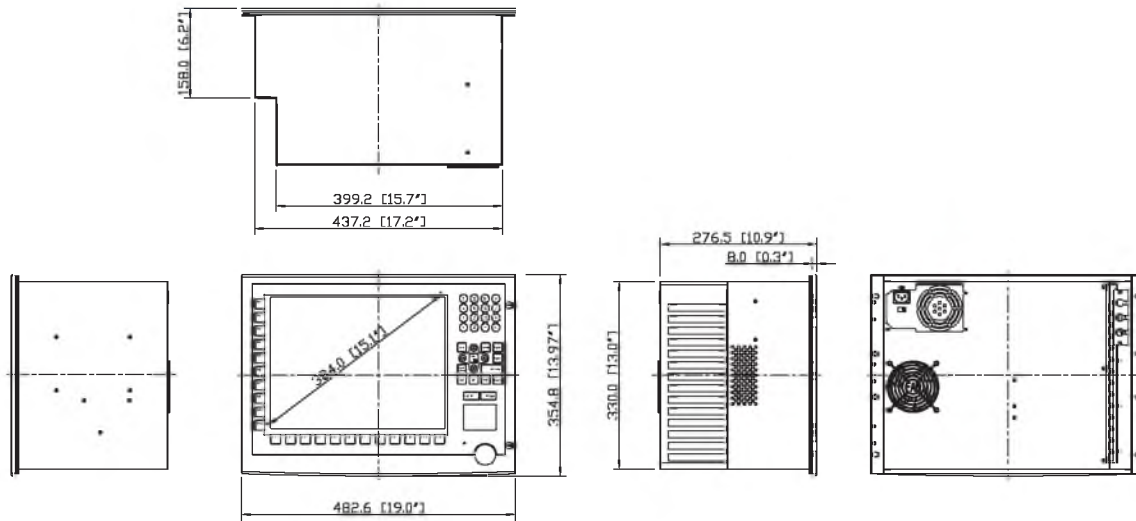
- **Interface** USB
- **Lifespan** 10 million with a silicone rubber of R8 finger, writing rate is by 250g at 2 times/s
- **Light Transmission** > 80% (AMT)
- **OS Support** Windows Vista/2000/XP, Windows CE, Linux
- **Type** 8-wire Resistive

Environment

- **Humidity** 5 – 85% RH @ 40° C (non-condensing)
- **Ingress Protection** Front panel NEMA4/IP65
- **Operating Temperature** 0 – 50° C (32 – 122° F)
- **Storage Temperature** -20 – 60° C (-4 – 140° F)
- **Vibration Protection** 5 – 500 Hz, 1 G_{RMS} random vibration (operating)

Dimensions

Unit: mm



CUTOUT Dimensions 439.20(17.29")x332.00(13.07")

Ordering Information

- IPPC-7158B-X1AE** 15" XGA TFT LCD Passive Backplane Industrial Panel PC with 14 x ISA/PCI/PICMG Slots and Membrane Keypad
- IPPC-7158B-R1AE** 15" XGA TFT LCD Passive Backplane Industrial Panel PC with 14 x ISA/PCI/PICMG Slots and Membrane Keypad and resistive touchscreen

Accessories

- 1702002600** Power Cable US Plug 1.8 M
- 1702002605** Power Cable EU Plug 1.8 M
- 1702031801** Power Cable UK Plug 1.8 M
- 1702031836** Power Cable China/Australia Plug 1.8 M

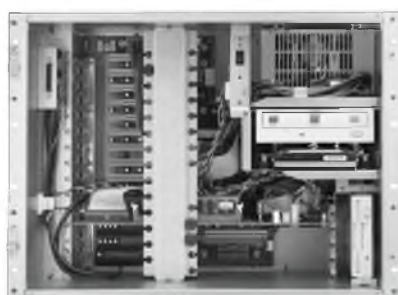
CPU Card Suggestions

Part No	CPU Grade	Description
PCA-6186VE-00B2E	Intel Pentium 4 (400/533 MHz FSB)	Socket 478 Pentium 4/Celeron processor card with VGA/LAN/HISA
PCA-6186LV-00B2E	Intel Pentium 4 (400/533 MHz FSB)	Socket 478 Pentium 4/Celeron processor card with VGA/HISA
PCA-6003VE-00A2E	Intel Pentium III (133 MHz FSB)	Socket 370 Pentium/Celeron processor card with VGA/LAN

Side View



Open View



Rear View



По вопросам продаж и поддержки обращайтесь:

Архангельск (8182)63-90-72
Астана +7(7172)727-132
Белгород (4722)40-23-64
Брянск (4832)59-03-52
Владивосток (423)249-28-31
Волгоград (844)278-03-48
Вологда (8172)26-41-59
Воронеж (473)204-51-73
Екатеринбург (343)384-55-89
Иваново (4932)77-34-06
Ижевск (3412)26-03-58
Казань (843)206-01-48

Калининград (4012)72-03-81
Калуга (4842)92-23-67
Кемерово (3842)65-04-62
Киров (8332)68-02-04
Краснодар (861)203-40-90
Красноярск (391)204-63-61
Курск (4712)77-13-04
Липецк (4742)52-20-81
Магнитогорск (3519)55-03-13
Москва (495)268-04-70
Мурманск (8152)59-64-93
Набережные Челны (8552)20-53-41

Нижний Новгород (831)429-08-12
Новокузнецк (3843)20-46-81
Новосибирск (383)227-86-73
Орел (4862)44-53-42
Оренбург (3532)37-68-04
Пенза (8412)22-31-16
Пермь (342)205-81-47
Ростов-на-Дону (863)308-18-15
Рязань (4912)46-61-64
Самара (846)206-03-16
Санкт-Петербург (812)309-46-40
Саратов (845)249-38-78

Смоленск (4812)29-41-54
Сочи (862)225-72-31
Ставрополь (8652)20-65-13
Тверь (4822)63-31-35
Томск (3822)98-41-53
Тула (4872)74-02-29
Тюмень (3452)66-21-18
Ульяновск (8422)24-23-59
Уфа (347)229-48-12
Челябинск (351)202-03-61
Череповец (8202)49-02-64
Ярославль (4852)69-52-93