

Одноплатные промышленные компьютеры половинного размера с шиной ISA серии PCA-6700

ТЕХНИЧЕСКИЕ ХАРАКТЕРИСТИКИ

По вопросам продаж и поддержки обращайтесь:

Архангельск (8182)63-90-72
Астана +7(7172)727-132
Белгород (4722)40-23-64
Брянск (4832)59-03-52
Владивосток (423)249-28-31
Волгоград (844)278-03-48
Вологда (8172)26-41-59
Воронеж (473)204-51-73
Екатеринбург (343)384-55-89
Иваново (4932)77-34-06
Ижевск (3412)26-03-58
Казань (843)206-01-48

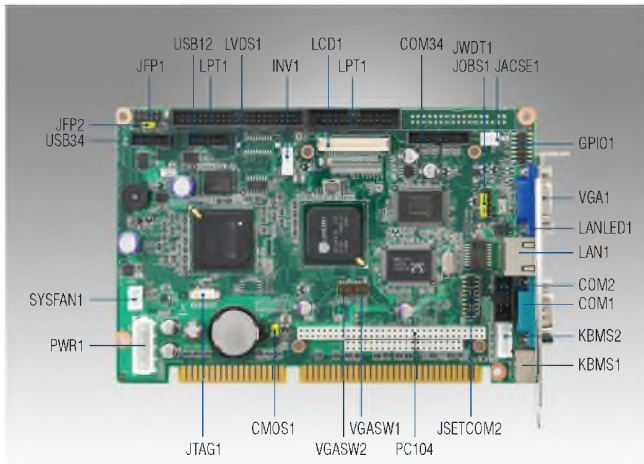
Калининград (4012)72-03-81
Калуга (4842)92-23-67
Кемерово (3842)65-04-62
Киров (8332)68-02-04
Краснодар (861)203-40-90
Красноярск (391)204-63-61
Курск (4712)77-13-04
Липецк (4742)52-20-81
Магнитогорск (3519)55-03-13
Москва (495)268-04-70
Мурманск (8152)59-64-93
Набережные Челны (8552)20-53-41

Нижний Новгород (831)429-08-12
Новокузнецк (3843)20-46-81
Новосибирск (383)227-86-73
Орел (4862)44-53-42
Оренбург (3532)37-68-04
Пенза (8412)22-31-16
Пермь (342)205-81-47
Ростов-на-Дону (863)308-18-15
Рязань (4912)46-61-64
Самара (846)206-03-16
Санкт-Петербург (812)309-46-40
Саратов (845)249-38-78

Смоленск (4812)29-41-54
Сочи (862)225-72-31
Ставрополь (8652)20-65-13
Тверь (4822)63-31-35
Томск (3822)98-41-53
Тула (4872)74-02-29
Тюмень (3452)66-21-18
Ульяновск (8422)24-23-59
Уфа (347)229-48-12
Челябинск (351)202-03-61
Череповец (8202)49-02-64
Ярославль (4852)69-52-93

PCA-6742

Advantech EVA-X4300 ISA Half-size SBC with
VGA/LCD/LAN/CFC/USB and PC/104



Features

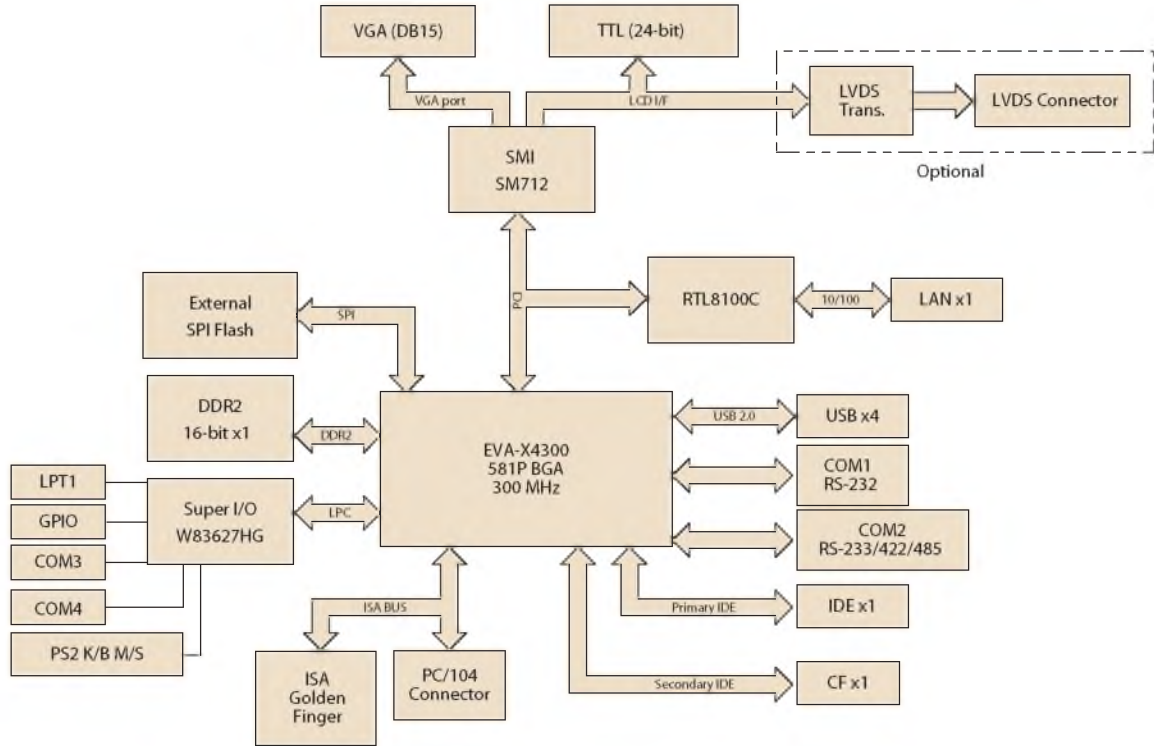
- Low power fanless EVA-X4300
- Onboard 128/64 DDR2 RAM
- 10/100 Mbps Ethernet
- 1024 x 768 @ 18/24-bit TTL/LVDS support



Specifications

Processor System	CPU	Advantech EVA-X4300 up to 300 MHz	
	Max. Speed	300 MHz	
	L1 Cache	32 KB	
	Chipset	Advantech EVA-X4300 up to 300 MHz	
	BIOS	Award integrated 256 KB ROM in Advantech EVA-X4300	
Bus	PCI	32-bit/33 MHz	
	ISA	8/16-bit 8 MHz	
Memory	Technology	Default onboard DDR2 128 MB	
	Socket	-	
Graphics	Controller	Chipset integrated VGA controller VGA mode: SM712 graphics chip supports 1024 x 768 @ 24-bit true color LCD mode: SMI SM712 2D graphics chip supports 1024 x 768 @ 18/24-bit TFT	
	VRAM	4 MB display memory	
	LVDS	Yes (Optional)	
	TTL	Up to 24-bit TTL for TFT LCD	
	Dual Display	Supports CRT+LCD simultaneously display	
Ethernet	Interface	10/100 Mbps	
	Controller	Realtek RTL8100CL	
	Connector	RJ-45 x 1	
EIDE	Mode	PIO 4	
	Channel	1	
SATA (150 MB/s)	Port	-	
I/O Interface	USB	4 ports (USB 2.0 and USB1.1 under DOS)	
	Serial	4 COM (1 x RS-232/422/485 on one 2.54 mm pitch wafer box, 1 x RS-232 on rear I/O, 2 x RS-232 on one 2.0 mm pitch wafer box)	
	Parallel	1 (via super I/O)	
	FDD	-	
	GPIO	8 bit; COMS Level (0 ~ 3.3 V)	
	PS/2	6-pin DIN socket on bracket for PS/2 keyboard and mouse. (via super I/O) 6-pin (2.54 mm) wafer box connector for keyboard only	
	Watchdog Timer	Output	System reset/IRQ11
	Interval	Programmable, 1~255 sec/min	
Miscellaneous	Audio Output	-	
	Solid State Disk	CompactFlash socket (Type I/II), shared with secondary IDE	
Power Requirement	Typical	+5 V @ 1.6 A	
	Max	+5 V @ 2 A	
Environment	Temperature	Operating	Non-Operating (Storage)
		0 ~ 60° C (32 ~ 140° F) (operating humidity: 40° C @ 85% RH Non-Condensing)	-40° C ~ 85° C and 60° C @ 95% RH Non-Condensing
Physical	Dimensions	185 mm (L) x 122 mm (W) (7.3" x 4.8")	
OS		DOS, Win CE 5.0	

Board Diagram



Ordering Information

P/N	CPU	LVDS	TTL	USB	GPIO	FE LAN	FDD
PCA-6742LV-00A1E	EVA-X4300	-	-	4	-	-	-
PCA-6742VE-00A1E	EVA-X4300	(Optional)	24-bit	4	1	RTL 8100C	-

Bracket View



PCA-6742LV-00A1E



PCA-6742VE-00A1E

Optional Accessories

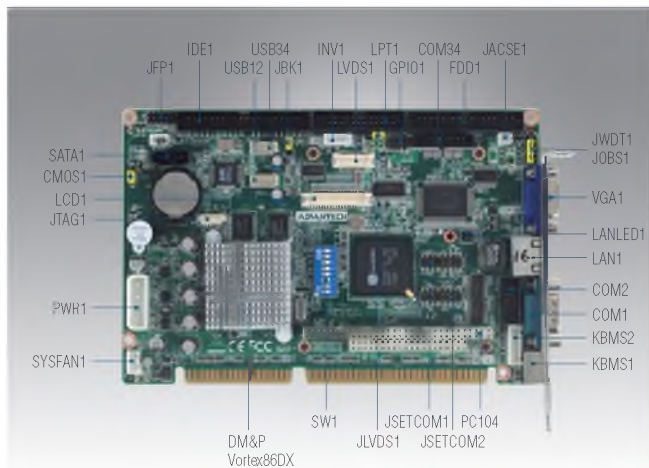
Part Number	Description
1703100260	USB cable with 2 ports (2.0 mm pitch)
1700008762	Dual-COM port cable kit for COM 3-4
PCA-SATAP2-00A1E	IDE/SATA Adapter for CPU cards

Packing List

Part Number	Description	Quantity
1701260305	COM2 + LPT cable	x 1
1700060202	Y-cable for PS/2 Keyboard, PS/2 Mouse	x 1
1701400452	EIDE (HDD) cable	x 1
9689000002	Jumper pack	x 1
1700008887	USB cable with 4 ports (2.0 mm pitch)	x 1
-	Utility CD	x 1
-	Startup manual	x 1

PCA-6743

DM&P Vortex86DX ISA Half-size SBC with LVDS/LAN/PC104/CFC/8 COM and PC/104



Features

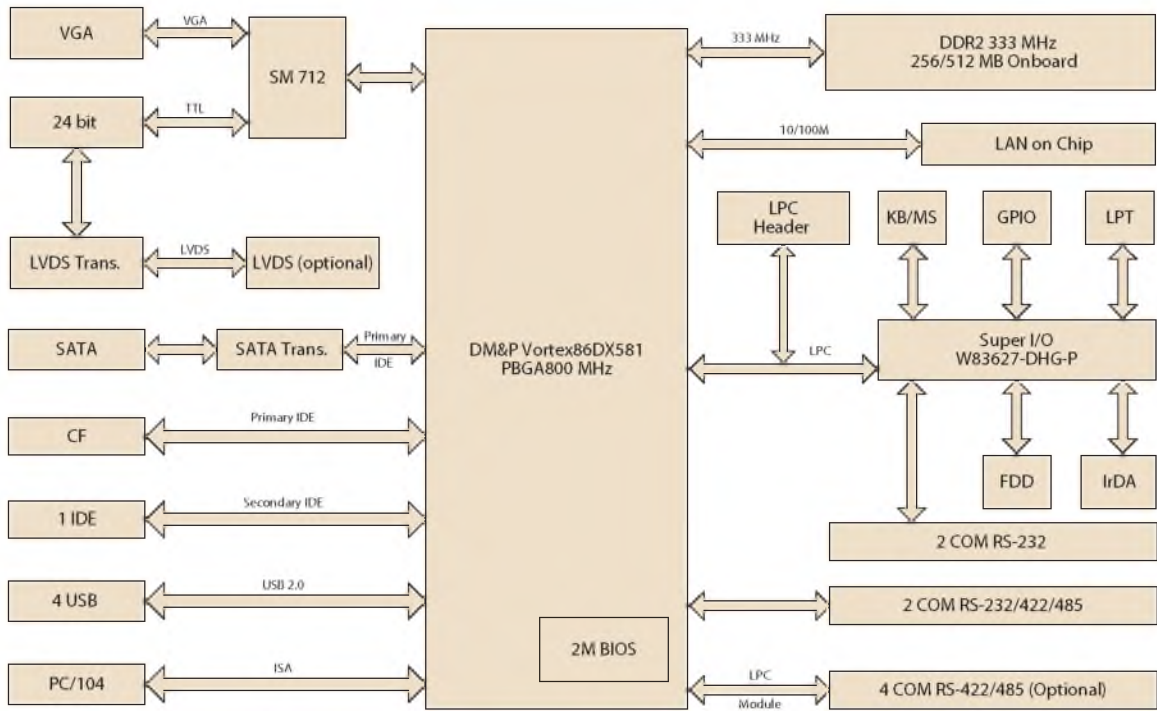
- Ultra low power, fanless DM&P Vortex86DX processor and 512/256 MB onboard DDR2 memory
- VGA+LCD dual video outputs
- Integrated floating-point unit and support for FDD/PC104
- Optional module for 4 x RS-485 w/auto-flow control



Specifications

Processor System	CPU	DM&P Vortex86DX	
	Max. Speed	800 MHz	
	L1 Cache	16 KB I/D-Cache	
	L2 Cache	256 KB	
	Chipset	DM&P Vortex86DX	
Bus	BIOS	Award integrated in DM&P Vortex86DX	
	ISA	Full 16-bit ISA Bus signal	
Memory	Technology	Default onboard DDR2 256MB (For VE SKU) Default onboard DDR2 512MB (For F SKU)	
	Socket	-	
Graphics	Controller	Chipset integrated VGA controller VGA mode: SM712 graphics chip supports 1024 x 768 @ 24-bit true color LCD mode: SMI SM712 2D graphics chip supports 1024 x 768 @ 18/24 bit TFT	
	VRAM	Shared 4 MB	
	LVDS	18/24 bit LVDS (optional)	
	TTL	Up to 24-bit TTL for TFT LCD	
	Dual Display	Supports VGA+LCD simultaneous display	
Ethernet	Interface	10/100 Mbps	
	Controller	LAN on Vortex86DX	
	Connector	RJ-45 x 1	
EIDE	Mode	UDMA 100	
	Channel	1 (2 IDE devices from secondary IDE)	
SATA (150 MB/s)	Port	1 (F SKU)	
I/O Interface	USB	4 (USB 2.0 ports)	
	Serial	F SKU: 2 RS-232/422/485 (1 Real I/O and 1 Pin header) + 2 RS-232 (with Pin header) VE SKU: 2 RS-232 (1 Real I/O and 1 Pin header) Optional: PCA-COM485; Add 4 RS-422/485 with Auto-Flow Control (Need to check if IRQ is available or not)	
	Parallel	1 (EPP/ECP/SPP)	
	FDD	1	
	GPIO	8-bit 4 in/4 out	
	PS/2	1 (6-pin DIN socket on bracket for PS/2 keyboard and mouse, 6-pin wafer box connector for keyboard only)	
	Watchdog Timer	Output	System reset/IRQ11
Miscellaneous	Interval	Programmable, 1-255 sec/min	
	Audio Output	-	
Power Requirement	Solid State Disk	Compact Flash socket (Type I/II) from primary master	
	Voltage	+12 V	+5 V
Environment	Current	0.04 A	1.44 A
	Temperature	Operating 0 ~ 60° C (32 ~ 140° F) (operating humidity: 40° C @ 85% RH Non-Condensing)	Non-Operating -40° C ~ 85° C and 60° C @ 95% RH Non-Condensing
Physical	Dimensions	185 mm (L) x 122 mm (W) (7.3" x 4.8")	

Block Diagram



Ordering Information

P/N	VGA	TTL	LVDS	SATA	COM	PC104	LPT	FDD	Onboard RAM
PCA-6743VE-Q0A1E	1	1	Optional	-	2 RS-232	-	1	1	256 MB
PCA-6743F-Q0A1E	1	1	Optional	1	2 RS-232 2 RS-232/422/485	1	1	1	512 MB

Optional Accessories

Part Number	Description
PCA-COM485-00A1E	4 x RS-422/485 COM module

Bracket View



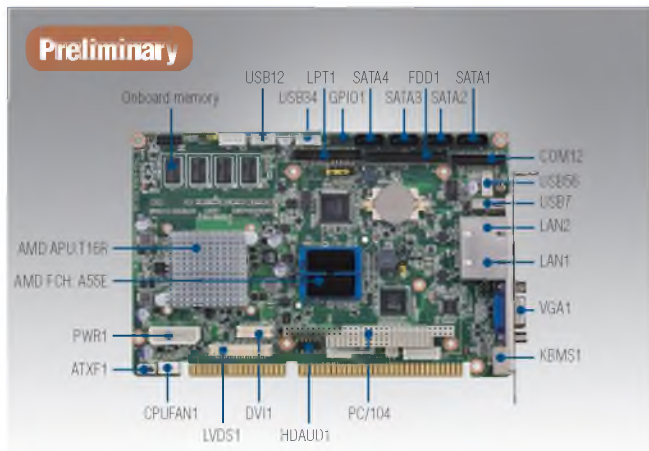
PCA-6743VE-Q0A1E
PCA-6743F-Q0A1E

Packing List

Part Number	Description	Quantity
1700060202	Y cable for PS/2 keyboard, PS/2 mouse	x 1
1701400607	E-IDE (HDD) cable (2.54 mm 40P 600 mm)	x 1
1700014398	4-port USB cable kit (2.0 mm pitch)	x 1
1701340705	FDD cable (2.54 mm 700 mm) (For F SKU)	x 1
1701260305	COM2 (2.54 mm) + LPT (2.54 mm) cable (For F SKU)	x 1
1700008762	Dual-COM port cable kit for COM 3-4 (2.00 mm) (For F SKU)	x 1
1700003194	Serial ATA HDD data cable	x 1
1703150102	Serial ATA HDD power cable	x 1

PCA-6763

AMD T16R ISA Half-size SBC with Dual Independent Display/ Dual GbE/SATA/ USB/m-SATA/COM/LPT



Features

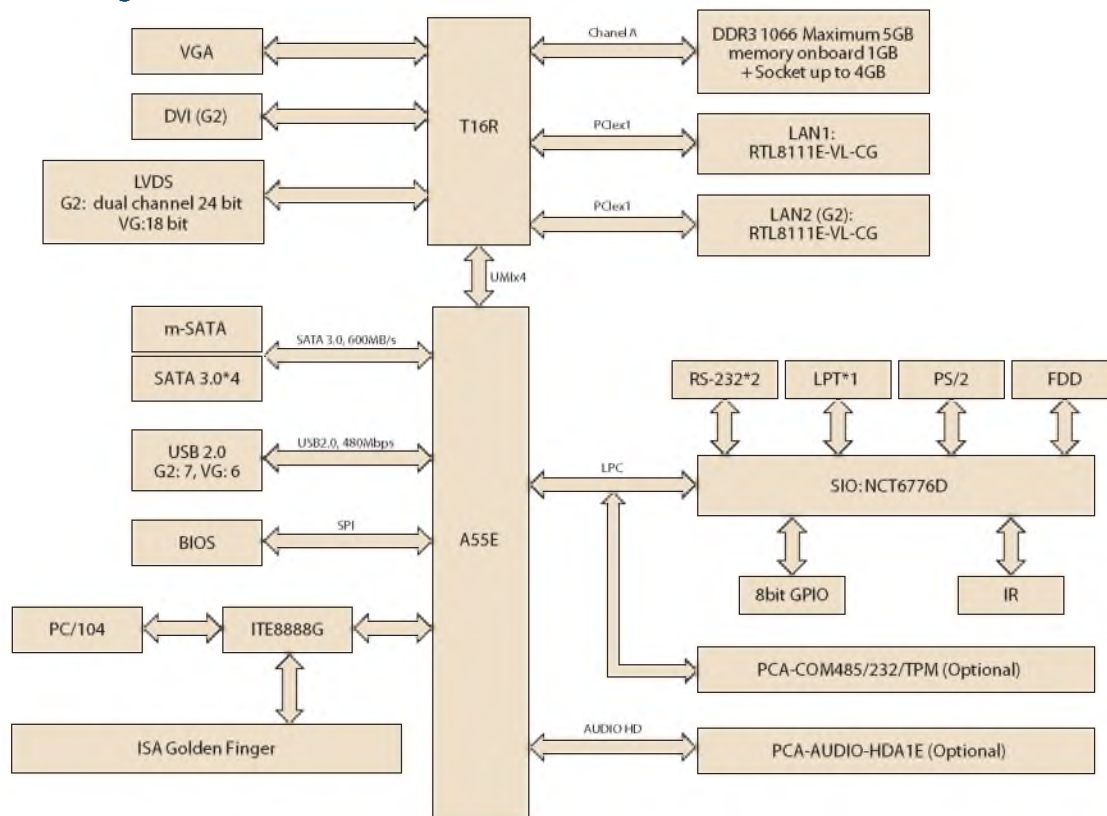
- Ultra low power, fanless AMD Accelerated Processing Unit T16R
- DDR3 1066 memory onboard 1GB+ DDR3 1066 SO-DIMM socket 4GB
- Dual independent display
- Up to 2 GbE LAN supported
- Up to 7 USB 2.0 (480 Mbps)
- 4 SATA 3.0 (600 MB/s) and 1 m-SATA (600 MB/s)
- legacy I/O, such as FDD/ PC/104/ COM/ LPT supported
- Optional module for 4 RS-422/485 or 4 RS-232, TPM and HD audio



Specifications

Processor System	CPU	AMD G-Series APU T16R				
	Max. Speed	615 MHz				
	L2 Cache	512 KB				
	Chipset	AMD Fusion controller hub A55E				
	BIOS	AMI-EFI 32 Mbit SPI				
Bus	ISA	Full 16-bit ISA Bus signal				
Memory	Technology	DDR3 1066 1GB onboard+ DDR3 1066 up to 4GB on 1 x 204-pin SODIMM socket				
	Controller	AMD G-Series T16R (Integrated with AMD GPU Radeon HD 6250)				
Graphics	VRAM	Optimized shared memory Architecture up to 384 MB system memory				
	Dual Display	G2: Choosing two interface from VGA (Default), LVDS, and DVI VG: VGA (Default)+LVDS				
	VGA	Up to 1920 x 1200 @ 60Hz				
	LVDS	G2: 48 bit (Dual channel 24 bit) LVDS up to 1920 x 1200 @ 60Hz VG: 18 bit LVDS up to 1024 x 768 @ 60Hz				
	DVI	Up to 1920 x 1200 @ 60Hz				
Ethernet	Interface	10/100/1000 Mbps				
	Controller	LAN1: Realtek RTL8111E-VL-CG LAN2: Realtek RTL8111E-VL-CG				
	Connector	RJ-45 x 2				
I/O Interface	USB	G2: USB2.0 x 7 (1 on bracket, 6 onboard) VG: USB2.0 x 6 (6 onboard)				
	SATA	SATA 3.0 x 4				
	m-SATA	1				
	AUDIO	HD AUDIO interface*1 for PCA-AUDIO-HDA1E (Optional)				
	Serial	RS-232 x 2 onboard Optional: RS-422/485 x 4 (PCA-COM485-00A1E) or RS-232 x 4 (PCA-COM232-00A1E) on module				
	Parallel	1 (EPP/ECP/SPP)				
	FDD	1				
	GPIO	8 bit				
	PS/2	1 (6-pin DIN socket on bracket for PS/2 keyboard and mouse, 6-pin wafer box connector)				
	Watchdog Timer	Output	System reset/IRQ11			
Interval		Programmable, 1-255 sec/min				
Power Requirement	Voltage	+12V	+5V	+3.3V	+5VSB	-12V -5V
	Current	0.17A	1.87V	0A	0V	0A 0A
Environment	Temperature	Operating			Non-Operating	
		0 - 60° C (32 - 140° F) (operating humidity: 40° C @ 85% RH Non-Condensing)			-40° C - 85° C and 60° C @ 95% RH Non-Condensing	
Physical	Dimensions	185 mm (L) x 122 mm (W) (7.3" x 4.8")				

Board Diagram



Ordering Information

P/N	GbE LAN	Memory	VGA	DVI	LVDS	USB	SATA	COM	LPT	PC104	FDD	mSATA
PCA-6763G2-00A1E	2	onboard 1GB+ Socket up to 4GB	1	1	48 bit	7	4	2 RS-232	1	1	1	1
PCA-6763VG-00A1E	1	onboard 1GB+ Socket up to 4GB	1	-	18 bit	6	4	2 RS-232	1	1	1	1

Optional Accessories

Part Number	Description
PCA-COM485-00A1E	4 x RS-422/485 COM module
PCA-COM232-00A1E	4 x RS-232 COM module
PCA-AUDIO-HDA1E	Extension module for 7.1 channel High Definition audio
PCA-TPM-00A1E	Trusted platform module compliant with TCG 1.2
1700008822	DVI cable
1701340603	FDD cable

Packing List

Part Number	Description	Quantity
1700008762	Dual-COM port cable kit (for G2 SKU)	x 1
1700014398	4-port USB cable kit (2.0 mm pitch)	x 1
1700060202	Y cable for PS/2 keyboard, PS/2 mouse	x 1
1700003194	SATA HDD data cable	x 1
1703150102	SATA HDD power cable	x 1
1700002343	ATX feature cable	x1
1700002223	LPT port cable kit (for G2 SKU)	x1
1700008954	LPT+COM cable kit (for VG SKU)	x1

Bracket View



PCA-6763VG-00A1E



PCA-6763G2-00A1E

По вопросам продаж и поддержки обращайтесь:

Архангельск (8182)63-90-72
Астана +7(7172)727-132
Белгород (4722)40-23-64
Брянск (4832)59-03-52
Владивосток (423)249-28-31
Волгоград (844)278-03-48
Вологда (8172)26-41-59
Воронеж (473)204-51-73
Екатеринбург (343)384-55-89
Иваново (4932)77-34-06
Ижевск (3412)26-03-58
Казань (843)206-01-48

Калининград (4012)72-03-81
Калуга (4842)92-23-67
Кемерово (3842)65-04-62
Киров (8332)68-02-04
Краснодар (861)203-40-90
Красноярск (391)204-63-61
Курск (4712)77-13-04
Липецк (4742)52-20-81
Магнитогорск (3519)55-03-13
Москва (495)268-04-70
Мурманск (8152)59-64-93
Набережные Челны (8552)20-53-41

Нижний Новгород (831)429-08-12
Новокузнецк (3843)20-46-81
Новосибирск (383)227-86-73
Орел (4862)44-53-42
Оренбург (3532)37-68-04
Пенза (8412)22-31-16
Пермь (342)205-81-47
Ростов-на-Дону (863)308-18-15
Рязань (4912)46-61-64
Самара (846)206-03-16
Санкт-Петербург (812)309-46-40
Саратов (845)249-38-78

Смоленск (4812)29-41-54
Сочи (862)225-72-31
Ставрополь (8652)20-65-13
Тверь (4822)63-31-35
Томск (3822)98-41-53
Тула (4872)74-02-29
Тюмень (3452)66-21-18
Ульяновск (8422)24-23-59
Уфа (347)229-48-12
Челябинск (351)202-03-61
Череповец (8202)49-02-64
Ярославль (4852)69-52-93