

# Одноплатные промышленные компьютеры стандарта PCMG 1.3 серии PCE-4000, PCE-5000

## ТЕХНИЧЕСКИЕ ХАРАКТЕРИСТИКИ

**По вопросам продаж и поддержки обращайтесь:**

Архангельск (8182)63-90-72  
Астана +7(7172)727-132  
Белгород (4722)40-23-64  
Брянск (4832)59-03-52  
Владивосток (423)249-28-31  
Волгоград (844)278-03-48  
Вологда (8172)26-41-59  
Воронеж (473)204-51-73  
Екатеринбург (343)384-55-89  
Иваново (4932)77-34-06  
Ижевск (3412)26-03-58  
Казань (843)206-01-48

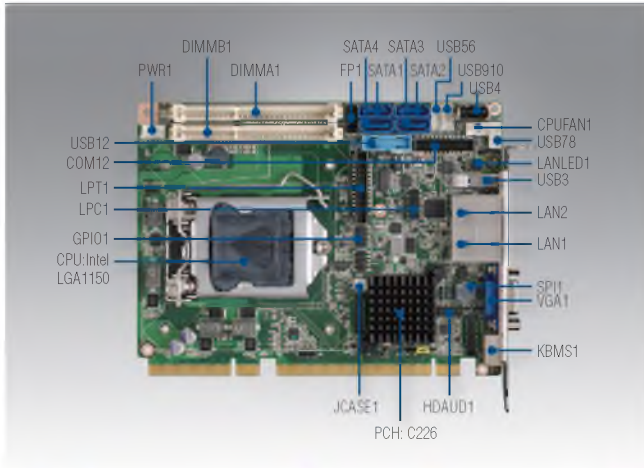
Калининград (4012)72-03-81  
Калуга (4842)92-23-67  
Кемерово (3842)65-04-62  
Киров (8332)68-02-04  
Краснодар (861)203-40-90  
Красноярск (391)204-63-61  
Курск (4712)77-13-04  
Липецк (4742)52-20-81  
Магнитогорск (3519)55-03-13  
Москва (495)268-04-70  
Мурманск (8152)59-64-93  
Набережные Челны (8552)20-53-41

Нижний Новгород (831)429-08-12  
Новокузнецк (3843)20-46-81  
Новосибирск (383)227-86-73  
Орел (4862)44-53-42  
Оренбург (3532)37-68-04  
Пенза (8412)22-31-16  
Пермь (342)205-81-47  
Ростов-на-Дону (863)308-18-15  
Рязань (4912)46-61-64  
Самара (846)206-03-16  
Санкт-Петербург (812)309-46-40  
Саратов (845)249-38-78

Смоленск (4812)29-41-54  
Сочи (862)225-72-31  
Ставрополь (8652)20-65-13  
Тверь (4822)63-31-35  
Томск (3822)98-41-53  
Тула (4872)74-02-29  
Тюмень (3452)66-21-18  
Ульяновск (8422)24-23-59  
Уфа (347)229-48-12  
Челябинск (351)202-03-61  
Череповец (8202)49-02-64  
Ярославль (4852)69-52-93

# PCE-4128

LGA 1150 4th Gen Intel® Xeon® and Core™ i7/i5/i3  
Half-size SHB with PCIe 3.0/Triple independent  
display/Dual GbE LAN/SATA 3.0/m-SATA/ USB 3.0



## Features

- Complies with PICMG 1.3
- Supports Intel Xeon E3 1200v3 series, Core i7/i5/i3 LGA1150 processors with C226
- Dual Channel DDR3 1066/1333/1600 up to 16 GB
- Supports PCIe 3.0, USB 3.0, SATA3.0, SW Raid 0, 1, 5, 10
- Supports triple displays
- Support dual 10/100/1000 Mbps Ethernet
- Supports out-of-band remote management with AMT9.0
- Supports Advantech TPM module (LPC I/O)
- Supports SUSIAccess and Embedded Software APIs

### Software APIs:



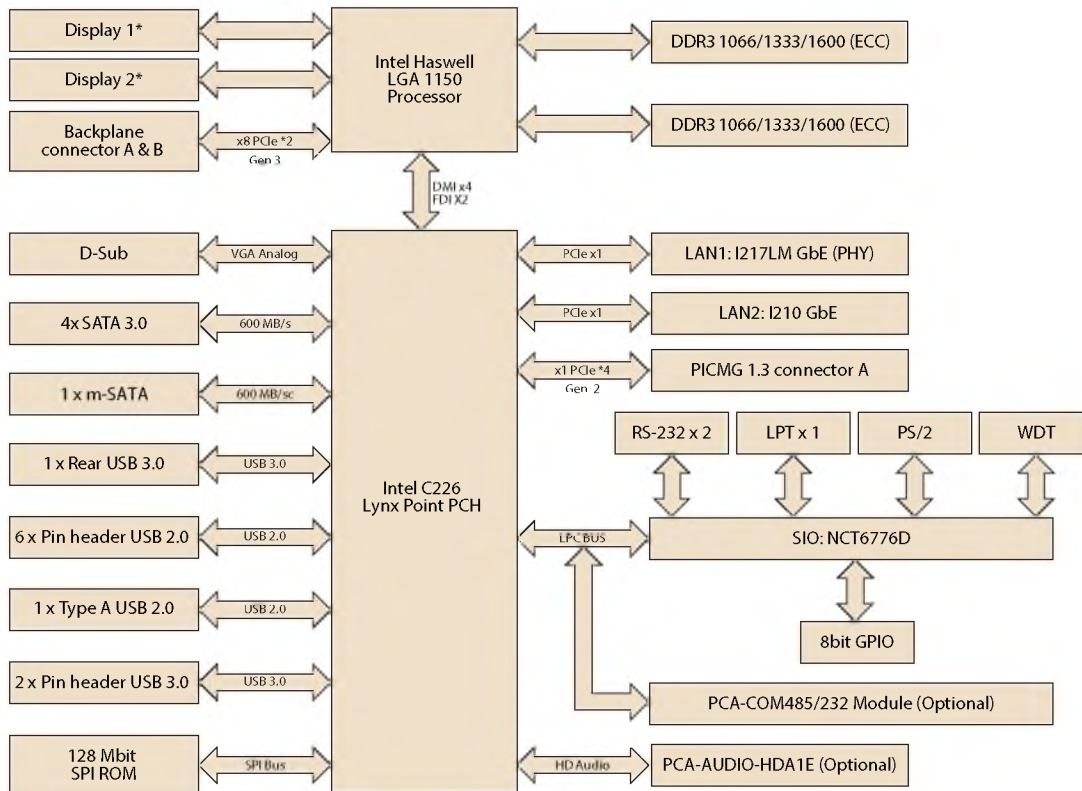
### Utilities:



## Specifications

Processor System	CPU	E3-1275v3	E3-1225v3	E3-1268v3	i5-4570TE	i3-4360	i3-4330	i3-4330TE	G3420	G3320TE	G1820	G1820TE	
	Base Frequency	3.5GHz	3.2GHz	2.3GHz	2.7GHz		3.5GHz	2.4GHz	3.2 GHz	2.3 GHz	2.7 GHz	2.2 GHz	
	L3 Cache	8MB	8MB	8MB	4MB		4MB	4MB	3MB	3MB	2MB	2MB	
	SKU/Chipset	Intel C226											
	BIOS	AMI 128Mbit SPI Flash											
Bus	PCI-Express	Two x8 or one x16, plus four x1 to backplane											
Memory	Technology	Dual channel DDR3 ECC 1066/1333/1600 MHz (ECC function enable depends on processor support)											
	Max. Cap.	16 GB (8 GB per DIMM)											
	Socket	DDR3 204-pin SO-DIMM X2											
Graphics	Controller	Chipset integrated Intel GT2 P4600 or GT2 4600 or GT1 HD graphics (Depends on CPU support)											
	VRAM	Shared system memory is subject to OS											
	CRT	Supports resolution up to 1920 x 1200 pixel at 60MHz											
	Triple Display	CRT + 2 Display* (* Display type depends on optional stack board)											
Ethernet	Interface	10/100/1000 Mbps											
	Controller	LAN 1: Intel I217LM LAN 2: Intel I210AT											
	Connector with LED	RJ45 x 2											
Rear I/O	USB 3.0	1											
	Ethernet	2											
	VGA	1											
	PS/2	1 (PS/2 Y cable supports 1 x keyboard and 1 x mouse)											
Internal Connector	USB	Seven USB2.0 (6 pin headers + 1 USB Type A); Three USB3.0 (1 on rear IO + 2 pin header)											
	SATA 3.0	4 (600 MB/sec, supports S/W RAID 0, 1, 5, 10)											
	COM	2											
	Parallel	1											
	GPIO	8bit											
Watchdog Timer	Output	System reset											
	Interval	Programmable 1-255 sec											
Miscellaneous	Audio	Intel High Definition audio interface (required an audio extension module P/N: PCA-AUDIO-HDA1E)											
Power Requirement	Test environment	Intel Xeon E3-1275 v3 (3.5GHz), DDR3 1600 8GB *2											
	Voltage	12V	5V	3.3V	5VSB	-5V	-12V						
	Current	7.36	0.96	0.83	0.13	0	0						
Environment		Operating								Non-operating			
	Temperature/Humidity	0 - 60° C(32-140° F); Depends on CPU frequency and cooler solution Operating humidity: 40° C @ 85% RH Non-Condensing								-40 - 85° C and 60° C @ 95% RH Non-Condensing			
Physical	Dimensions	167.64 mm x 126.39 mm (6.6" x 4.98")											

## Board Diagram



\*Display type depends on optional stack board

## Ordering Information

Part Number	PCH	Memory	Backplane	LAN	VGA	Display	COM	SATA III	USB 2.0	USB 3.0	S/W Raid	AMT
PCE-4128G2-00A1E	C226	ECC	PCE-3BXX PCE-4BXX	2	1	2*	RS-232 x2 onboard Optional RS-422/485 x4, or RS-232 x4 via module	4	7	3	Yes	Yes

\*Display type depends on optional stack board

## Optional Accessories

Part Number	Description
PCA-COM485-00A1E	4 x RS-244/485 module
PCA-COM232-00A1E	4 x RS-232 module
PCA-AUDIO-HDA1E	Audio module
PCA-TPM-00A1E	TPM module(Trust Platform management)
1960047831N001	2U cooler for Xeon E3-1275v3, E3-1225v3, E3-1268v3, i7-4770S, i7-4770TE, i5-4570S, i5-4570TE, i3-4330, i3-4330TE, G3420, G3220TE, G1820, G1820TE
1960053207N001	1.5U cooler for i7-4770S, i7-4770TE, i5-4570S, i5-4570TE, i3-4330, i3-4330TE, G3420, G3220TE, G1820, G1820TE
1960053065N001	1U blower for i5-4570S, i5-4570TE, i3-4330, i3-4330TE, G3420, G3220TE, G1820, G1820TE

## Packing List

Part Number	Description	Quantity
1700003194	Serial ATA HDD data cable	x1
1703150102	Serial ATA HDD power cable	x1
1700008762	2-port COM cable	x1
1700002223	1-port LPT cable	x1
1700060202	Keyboard and mouse Y-cable	x1
1700014398	4-port USB cable kit	x1
1700020277-01	2 ports USB3.0 cable W/BKT	x1
1703040100	Power converter	x1
9689000002	Jumper package	x1
2190000902	Warranty Card	x1
2006302800	Startup manual	x1
2066302800	Utility CD	x1

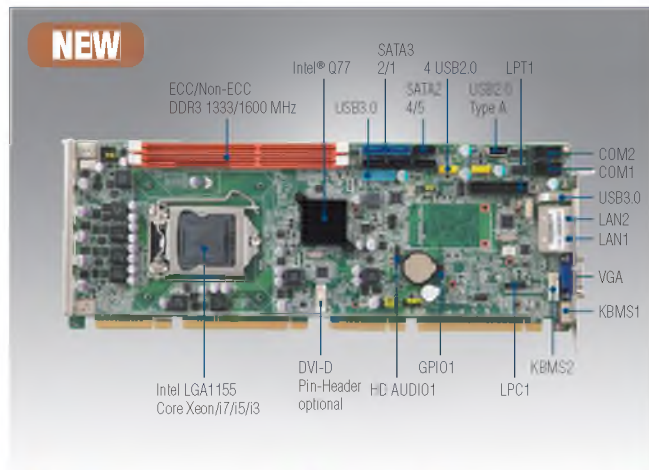
## Bracket View



PCE-4128G2-00A1E

# PCE-5127

LGA1155 Intel® Core™ i7/i5/i3 SHB  
DDR3/SATA 3.0/USB3.0/Dual GbE



## Features

- LGA1155 Intel® Core™ i7/i5/i3 and Pentium processors
- Dual Channel (Non-ECC) DDR3 1333/1600 up to 16 GB
- Supports USB3.0, SATA3.0, SW Raid 0, 1, 5, 10
- Out-of-band remote management with iAMT8.0 and TPM 1.2 (optional)
- Supports embedded software APIs and utilities

### Software APIs:



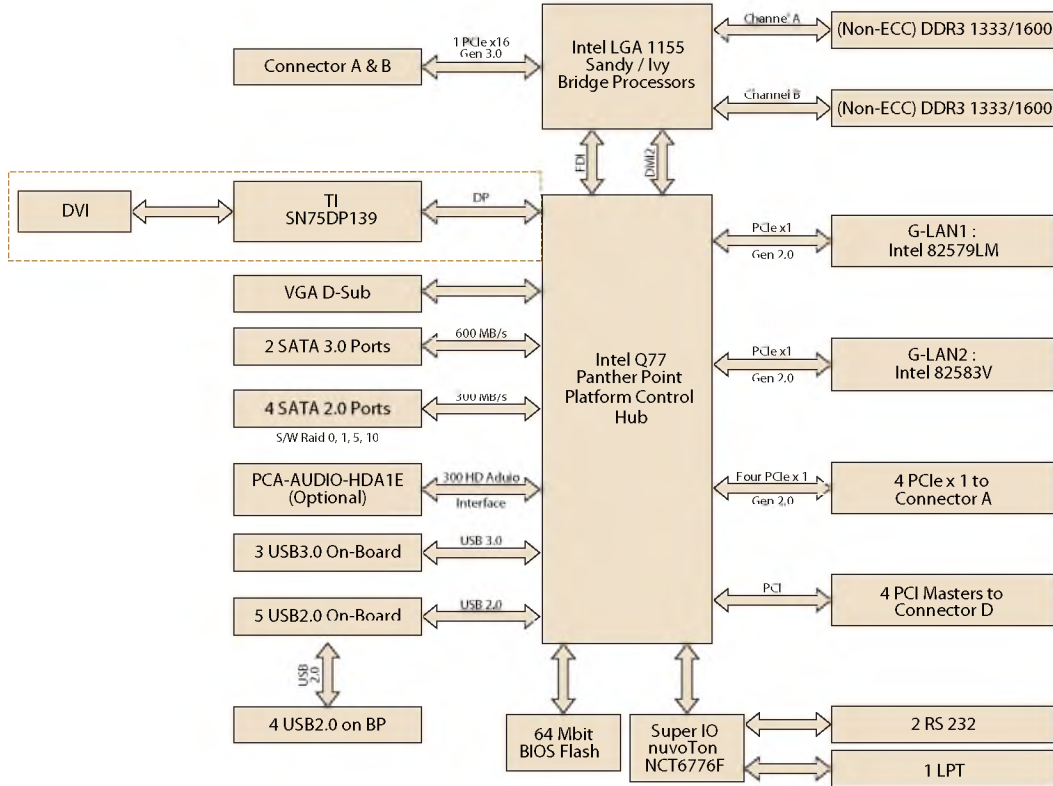
### Utilities:



## Specifications

Processor System	CPU	Core i7-3770	Core i7-2600	Core i5-3550S	Core i5-2400	Core i3-32XX	Core i3-2120	Pentium G21XX	Pentium G850	Celeron G540	
	Base Frequency	3.4 GHz	3.4 GHz	3.0 GHz	3.1 GHz	3.3 GHz	3.3 GHz	3.1 GHz	2.9 GHz	2.5 GHz	
	L3 Cache	8 MB	8 MB	6 MB	6 MB	3 MB	3 MB	3 MB	3 MB	2 MB	
	SKU/Chipset	Intel Q77									
	BIOS	AMI 64Mbit SPI Flash									
Bus	PCI-Express	One x16 plus four x1 to backplane									
	PCI	Four 32-bit 33 MHz PCI Masters to backplane									
Memory	Technology	Dual channel (Non-ECC) DDR3 1333/1600									
	Max. Cap.	16 GB (8 GB per DIMM)									
	Socket	DDR3 240-pin DIMM x 2									
Graphics	Controller	Chipset integrated Intel HD Graphics									
	VRAM	Shared system memory is subject to OS									
	Video Output	15 Pin VGA D-sub Connector x1/DVI-D connector x1									
Ethernet	Interface	10/100/1000 Mbps									
	Controller	LAN 1: Intel 82579LM LAN 2: Intel 82583V									
	Connector with LED	RJ45 x 2									
SATA	S/W Raid 0, 1, 5, 10	SATA 2.0 x 4 (300 MB/sec)									
		SATA 3.0 x 2 (600 MB/sec)									
I/O Interface	USB	Nine USB2.0 (Pin-header*4+USB Type A*1+ 4 on backplane); Three USB3.0 (Pin-Header*2+Rear*1)									
	Serial	2 x RS-232 Pin-Header									
	Parallel	1 (SPP/EPP/ECP)									
	PS/2	1 (Y cable for mouse and keyboard is included in the package)									
Watchdog Timer	Output	System reset									
	Interval	Programmable 1-255 sec									
Miscellaneous	Audio	Intel High Definition audio interface (required an audio extension module P/N: PCA-AUDIO-HDA1E)									
Power Requirement	Test environment	Core i7-3770 3.4GHz+DDR3 1333 4G X 2									
	Voltage	+12 V	+5 V	+3.3 V	+5 VSB	-12 V	-5 V				
	Current	5.37 A	0.98 A	1.44 A	0.42 A	0.01 A	0 A				
Environment	Ambient Temperature	Operating				Non-operating					
		0 - 60° C (32-140° F); Operating humidity: 40° C @ 85% RH Non-Condensing				-40 - 85° C and 60° C @ 95% RH Non-Condensing					
Physical	Dimensions	338 mm (L) x 122 mm (W) (13.3" x 4.8")									

## Block Diagram



## Ordering Information

Part Number	PCH	Memory	Backplane	LAN	VGA	DVI	COM	SATA II	SATA III	USB 2.0	USB 3.0	S/W RAID	iAMT
PCE-5127G2-00A1E	Q77	Non-ECC	PCE-5BXX	2	Yes	Yes*	2	4	2	9	3	Yes	Yes

\*Note: 1.Output DVI-D signal only (Required DVI-D cable:1700008822)

## Optional Accessories

Part Number	Description
1960047831N001	PCE-5127 Proprietary CPU Cooler (2U)
PCA-AUDIO-HDA1E	Audio extension module
1700008822	DVI-D Cable
PCA-TPM-00A1E	Trust platform module compliant TCG 1.2

## Packing List

Part Number	Description	Quantity
1700003194	Serial ATA HDD data cable	x2
1703150102	Serial ATA HDD power cable	x2
1701260305	COM + printer ports cable kit	x1
1700060202	Keyboard and mouse Y-cable	x1
1700008461	4-port USB cable kit	x1
9689000068	Jumper package	x1
2190000902	Warranty Card	x1
2006512700	Startup manual	x1
2066512700	Utility CD	x1

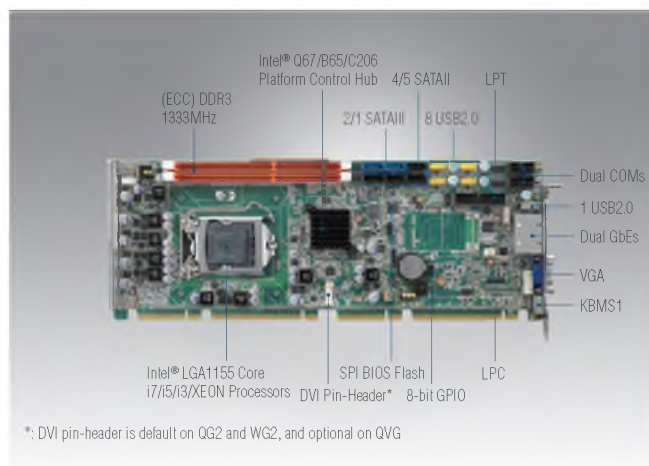
## Bracket View



PCE-5127G2-00A1E

# PCE-5126

LGA1155 Intel® Core i7/i5/i3 SHB with DDR3/Dual GbE/SATA III



\*: DVI pin-header is default on QG2 and WG2, and optional on QVG

## Features

- LGA 1155 Intel® Core™ i7/i5/i3/Xeon® processors
- Dual Channel (ECC) DDR3 1066/1333 up to 16 GB
- Supports SATA RAID 0, 1, 5, 10, AMT7.0, TPM 1.2 (optional)
- Out-of-band remote management with IPMI (optional by IPMI module)
- Supports embedded software APIs and utilities

### Software APIs:



### Utilities:

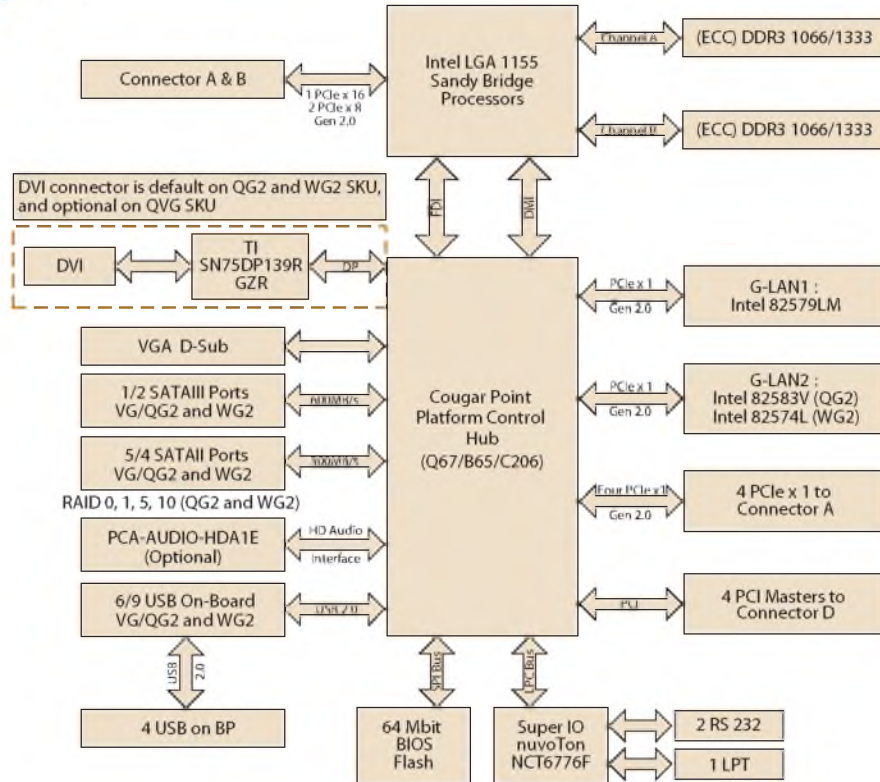


## Specifications

Processor System	CPU	Core i7 2600	Xeon E3 1275	Xeon E3 1225	Core i5 2400	Core i3 2120	Pentium G850	Celeron G540	
	Base Frequency	3.4 GHz	3.4 GHz	3.1 GHz	3.1 GHz	3.3 GHz	2.9 GHz	2.5 GHz	
	L3 Cache	8 MB	8 MB	6 MB	6 MB	3 MB	3 MB	2 MB	
	Support Model	QG2/QVG	WG2	WG2	QG2/QVG	QG2/QVG/ WG2	QG2/QVG	QG2/QVG	
	Socket	LGA1155							
	Chipset	QG2: Intel Q67; QVG: Intel B65; WG2: Intel C206							
Bus	BIOS	AMI 64 Mbit SPI Flash							
	PCI-Express	One PCIe x16 or two x8, plus four x1 to backplane (Gen 2.0) (Only WG2 version supports two PCIe x8 to support PCE-7XXX backplanes)							
	PCI	Four 32-bit 33 MHz PCI Masters to Backplane							
Memory	Technology	Dual channel (ECC) DDR3 1066/1333 (ECC is only for WG2 version)							
	Max. Cap.	16 GB (8GB per DIMM)							
	Socket	Two 240-pin DDR3 memory sockets							
Graphics	Onboard	Intel HD Graphics							
	VRAM	Shared system memory is subject to OS							
	Video Output	15 pin VGA D-sub connector x1/onboard DVI pin header x 1 (Default on QG2 and WG2, optional on QVG)							
Ethernet	Interface	10/100/1000 Mbps							
	Controller	LAN1: Intel 82579LM LAN2: Intel 82583V for QG2 version; Intel 82574L for WG2 version							
	Connector	RJ-45 with LED Connector x 2 for QG2, WG2 versions; RJ45 with LED Connector x 1 for QVG versions							
SATA	Max. Transfer Rate	600 MB/s							
	Channel	2 (Only 1 for QVG version)							
	Max. Transfer Rate	300 MB/s							
	Channel	(5 for QVG version)							
I/O Interface	RAID	0, 1, 5, 10 (Only for QG2 and WG2 version)							
	USB 2.0	WG2/QG2-Thirteen USB2.0(Pin-header*8 + USB A type*1 + 4 on backplane) QVG- Ten USB2.0(Pin-header*6 + 4 on backplane)							
	Serial	2 RS-232 with pin Headers							
	Parallel	1 (SPP/EPP/ECP)							
	PS/2	1 (for mouse and keyboard, a Y cable is included in the package)							
Watchdog Timer	Output	System reset							
	Interval	Programmable, 1-255 sec/min							
Miscellaneous	Audio	Intel High Definition audio interface (requires an audio extension module, P/N: PCA-AUDIO-HDA1E)							
Power Requirement	Test Equipment	Intel Core i7-2600 processor; DDR3 1333 2G x2							
	Voltage	+12 V	+5 V	+3.3 V	+5 Vsb	-12 V	-5 V		
	Current	6.65 A	1.62 A	1.98 A	0.73 A	0.13 A	-		
Environment	Operating	Non-Operating							
	Temperature	0 ~ 60° C* (32 ~ 140° F) (operating humidity: 40° C @ 85% RH Non-Condensing) -40 ~ 85° C and 60° C @ 95% RH Non-Condensing							
Physical	Dimensions	338 x 122 mm (13.3" x 4.8")							

\* Recommend operating temperature is 50° C for better thermal reliability

## Block Diagram



## Ordering Information

Model Name	Chipset	Memory	Backplane	LAN	Display	iAMT	SATAIII	SW RAID	IPMI Module	USB
PCE-5126QG2-00A1E	Q67	Non-ECC	PCE-5XXX	2 GbE	VGA+DVI**	Yes	2	Yes	None	13
PCE-5126QVG-00A1E	B65	Non-ECC	PCE-5XXX	1 GbE	VGA	None	1	None	None	10
PCE-5126WG2-00A1E	C206	ECC/Non-ECC	PCE-5XXX/7XXX*	2 GbE	VGA+DVI**	Yes	2	Yes	Optional	13

\*: WG2 version supports all Advantech PCE-5XXX/7XXX backplanes except PCE-7B10-04A1E.

\*\* : For DVI display, optional DVI cable (1700008822) is required

## Optional Accessories

Part Number	Description
PCA-AUDIO-HDA1E	Audio extension module
PCA-TPM-00A1E	Trust platform module compliant TCG 1.2
1960047831N001	PCE-5126 Proprietary CPU Cooler (2U)
1700008822	DVI Cable

Note: Purchasing PCE-5126's proprietary CPU cooler from Advantech is a must. Other brands' CPU coolers are NOT compatible with PCE-5126.

## Packing List

Part Number	Description	Quantity
1700003194	Serial ATA HDD data cable	x 2
1703150102	Serial ATA HDD power cable	x 2
1701260305	COM + printer ports cable kit	x 1
1700060202	Keyboard and mouse Y-cable	x 1
1700008461	4-port USB cable kit	x 1
9689000068	Jumper package	x 1
2190000902	Warranty Card	x 1
2002512610	Startup manual	x 1
2062512600	Utility CD	x 1

## Bracket View



PCE-5126QG2-00A1E  
PCE-5126WG2-00A1E

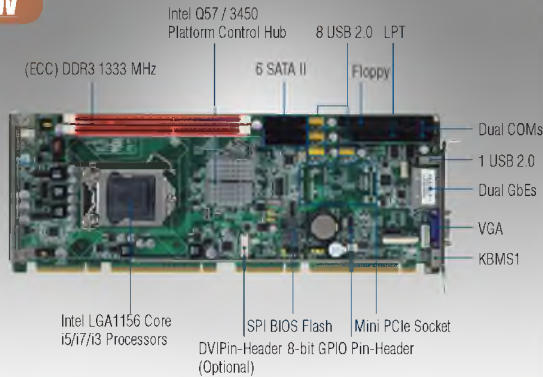


PCE-5126QVG-00A1E

# PCE-5125

LGA1156 Intel® Core™ i7/i5/i3/Xeon® SHB with DDR3/Dual GbE/SATA RAID

**NEW**



## Features

- LGA 1156 Intel® Core™ i7/i5/i3/Pentium®/Xeon® processors
- Dual Channel (ECC) DDR3 1333 MHz up to 8 GB
- Supports mini-PCIe expansion
- Supports embedded software APIs and Utilities

### Software APIs:



### Utilities:



Note: eSOS needs ODM BIOS available by request



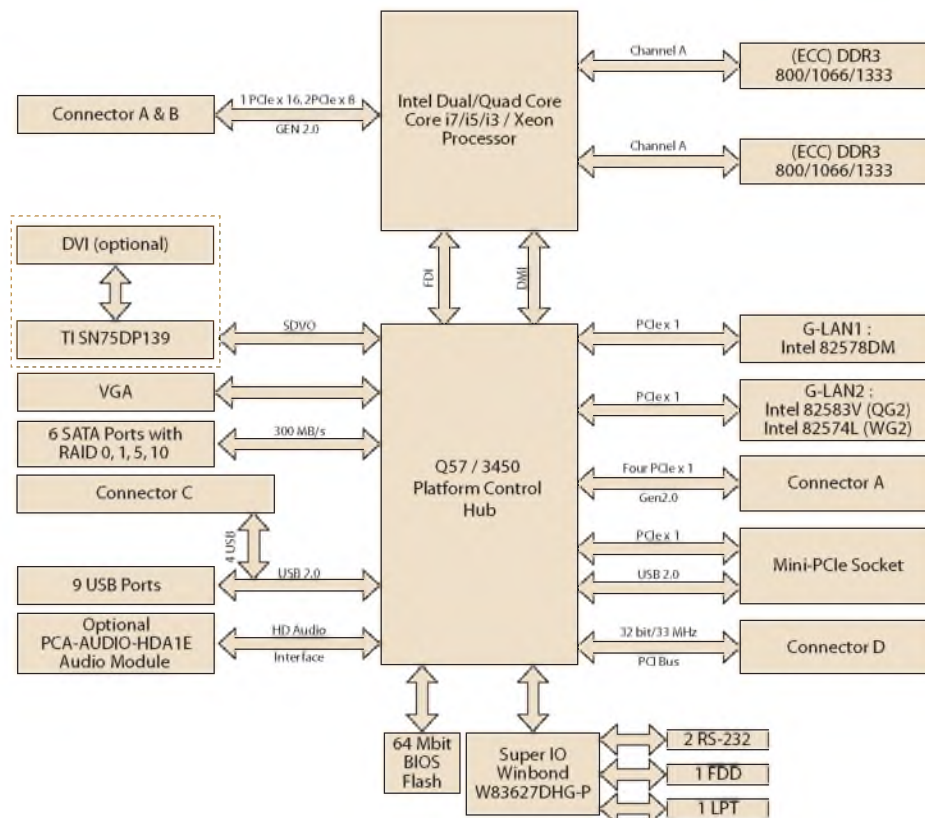
CE FCC

## Specifications

Processor System	CPU	Xeon 34xx	Core i7 8xx	Core i5 7xx	Core i5 6xx	Core i3 5xx	Pentium G69xx	
	Speed	2.93 GHz	2.93 GHz	2.66 GHz	3.60 GHz	3.06 GHz	2.8 GHz	
	Integrated Graphics	-	-	-	Yes	Yes	Yes	
	L3 Cache	8 MB	8 MB	8 MB	4 MB	4 MB	3 MB	
	Support Model	WG2	QG2	QG2	QG2/WG2	QG2/WG2	QG2/WG2	
	Socket	LGA1156						
	Chipset	Q57 for QG2 version; 3450 for WG2 version (WG2 only supports Xeon 34xx, Core i5 6XX, Core i3 5XX, and Pentium G69XX CPUs)						
BIOS	AMI 64 Mbit SPI Flash							
Bus	PCI-Express	One PCIe x16 or two x8, plus four x1 to backplane (Gen 2.0) (Only WG2 version supports two PCIe x8 to support PCE-7XXX backplanes)						
	PCI	Four 32-bit 33 MHz PCI Masters to Backplane						
Memory	Technology	Dual channel (ECC) DDR3 800/1066/1333 MHz (ECC is only for WG2 version)						
	Max. Cap.	4 GB per DIMM, total 8 GB, non-ECC for QG2 version; ECC for WG2 version						
	Socket	Two 240-pin DDR3 memory sockets						
Graphics	Onboard	Intel HD Graphics (Only the Core i5 6XX, Core i35XX and Pentium G69XX processors are embedded with Intel HD Graphics)						
	VRAM	1 GB maximum shared memory with 2 GB and above system memory installed						
	Video Output	15 pin VGA D-sub connector x1/onboard DVI pin header x 1 (DVI optional)						
Ethernet	Interface	10/100/1000 Mbps						
	Controller	LAN1: Intel 82578DM LAN2: Intel 82583V for QG2 version; Intel 82574L for WG2 version						
	Connector	RJ-45 with LED Connector x 2 for QG2, WG2 versions						
SATA 2	Max. Transfer Rate	300 MB/s						
	Channel	6						
	RAID	0, 1, 5, 10						
EIDE	Mode	N/A						
	Channel	N/A						
I/O Interface	USB 2.0	9 ports on the SHB, 4 ports to the BP						
	Serial	2 RS-232 with pin Headers						
	Parallel	1 (EPP/ECP)						
	FDD	1						
	PS/2	1 (for mouse and keyboard, a Y cable is included in the package)						
Watchdog Timer	Mini PCI Express Socket	1 (1 PCIe x 1 Gen 2.0 and 1 USB 2.0)						
	Output	System reset						
Miscellaneous	Interval	Programmable, 1-255 sec/min						
	Audio Output	Intel High Definition audio interface (requires an audio extension module, P/N: PCA-AUDIO-HDA1E)						
Power Requirement	Test Equipment	Intel Core i7-860 processor; DDR3 1333 MHz 2 GB x 2						
	Voltage	+12 V	+5 V	+3.3 V	+5 VSB	-12 V	-5 V	
	Current	12.156 A	15.576 A	12.108 A	0.024 A	0 A	0 A	
Environment	Operating	Non-Operating						
	Temperature	0 ~ 60° C (32 ~ 140° F) (operating humidity: 40° C @ 85% RH Non-Condensing)			-40 ~ 85° C and 60° C @ 95% RH Non-Condensing			
Physical	Dimensions	338 x 122 mm (13.3" x 4.8")						



## Board Diagram



## Ordering Information

Model Name	Chipset	Memory	Backplane	LAN	VGA	USB	COM
PCE-5125QG2-00A1E	Q57	Non-ECC	PCE-5XXX	2 GbE	Yes	13	2
PCE-5125WG2-00A1E	3450	ECC/Non-ECC	PCE-5XXX/7XXX	2 GbE	Yes	13	2

Note 1: Only the Core i5 6XX, Core i3 5XX and Pentium G69XX processors support onboard VGA output, others do not have VGA output and a discrete graphics card is necessary for graphics functions.

Note 2: WG2 version supports all Advantech PCE-5XXX/7XXX backplanes EXCEPT PCE-7B10-04A1E.

## Optional Accessories

Part Number	Description
PCA-AUDIO-HDA1E	Audio extension module
1960047831N001	PCE-5125 Proprietary CPU Cooler
PCA-5650-00A1E	Mini PCIe graphic card with Silicon Motion SM750 GPU
PCA-5612-00A1E	PCI graphic card with XGI Z9s GPU
PCA-COM232-00A1E	4 x COM232 module
PCA-TPM-00A1E	TPM module

Note: Purchasing PCE-5125's proprietary CPU cooler from Advantech is a must. Other brands' CPU coolers are NOT compatible with PCE-5125.

## Packing List

Part Number	Description	Quantity
1700003194	Serial ATA HDD data cable	x 2
1703150102	Serial ATA HDD power cable	x 2
1701260305	COM + printer ports cable kit	x 1
1700060202	Keyboard and mouse Y-cable	x 1
1700008461	4-port USB cable kit	x 1
9689000068	Jumper package	x 1
2190000902	Warranty Card	x 1
2002512510	Startup manual	x 1
2062512500	Utility CD	x 1

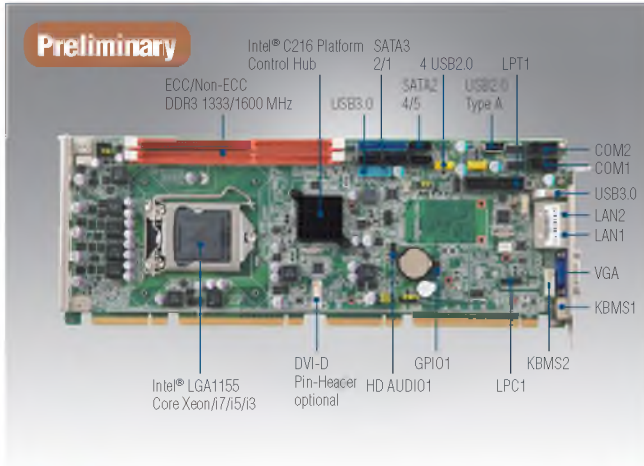
## Bracket View



PCE-5125QG2-00A1E  
PCE-5125WG2-00A1E

# PCE-7127

LGA1155 Intel® Xeon®/Core™i3/Pentium® SHB  
DDR3/SATA 3.0/USB3.0/Dual GbE



## Features

- LGA1155 Intel® Xeon®/Core™i3/Pentium® processors
- Dual Channel (ECC) DDR3 1333/1600 up to 16 GB
- Supports USB3.0, SATA3.0, SW Raid 0, 1, 5, 10, and TPM 1.2 (optional)
- Out-of-band remote management with iAMT8.0 and IPMI (Optional)
- Supports embedded software APIs and utilities

### Software APIs:



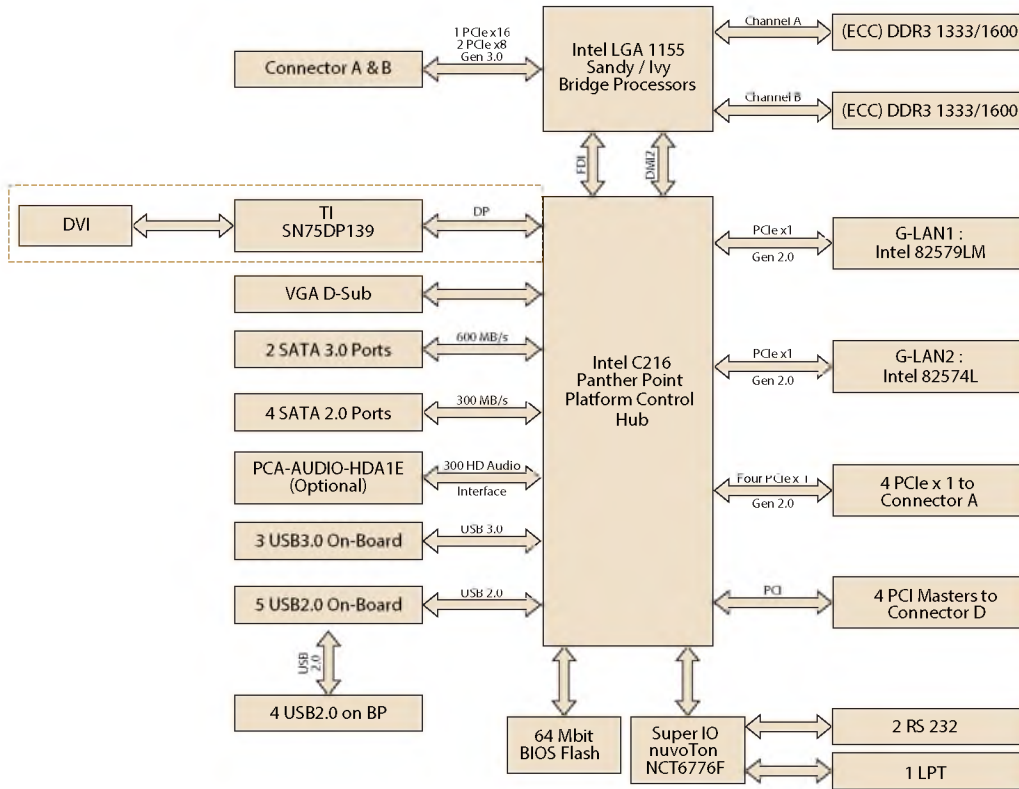
### Utilities:



## Specifications

Processor System	CPU	Xeon E3-1275V2/ E3-1225V2	Xeon E3-1275/1225	i7-3770	i7-2600	i5-3550S	i5-2400	Core i3-3220	Core i3-2120	Pentium G2120	Pentium G850	Celeron G540	
	Base Frequency	3.5/ 3.2 GHz	3.4/ 3.1 GHz	3.4 GHz	3.4 GHz	3.0 GHz	3.1 GHz	3.3 GHz	3.3 GHz	3.1 GHz	2.9 GHz	2.5 GHz	
	L3 Cache	8/ 8 MB	8/ 6 MB	8 MB	8 MB	6 MB	6 MB	3 MB	3 MB	3 MB	3 MB	2MB	
	SKU/Chipset	Intel C216											
	BIOS	AMI 64Mbit SPI Flash											
Bus	PCI-Express	One x16 or two x8, plus four x1 to backplane Gen. 2.0											
	PCI	Four 32-bit 33 MHz PCI Masters to backplane											
Memory	Technology	Dual channel(ECC) DDR3 1333/1600											
	Max. Cap.	*Note: ECC supported on Intel Xeon/i3/Pentium processors when paired with Intel C216 PCH 16 GB (8 GB per DIMM)											
	Socket	DDR3 240-pin DIMM x 2											
Graphics	Controller	Chipset integrated Intel HD Graphics											
	VRAM	Shared system memory is subject to OS											
	Video Output	15 Pin VGA D-sub Connector x1/DVI-D connector x 1 (Pin Header)											
Ethernet	Interface	10/100/1000 Mbps											
	Controller	LAN 1: Intel 82579LM LAN 2: Intel 82574L											
	Connector with LED	RJ-45 x 2											
SATA	Ports/Max. Transfer Rate	SATA 2.0 x 4 (300 MB/sec) SATA 3.0 x 2 (600 MB/sec)											
	Raid	SW Raid 0, 1, 5, 10											
I/O Interface	USB	Nine USB2.0 (Pin-header*4+USB Type A*1+ 4 on backplane); Three USB3.0 (Pin-Header*2+Rear*1)											
	Serial	2 x RS-232 Pin-Header											
	Parallel	1 (SPP/EPP/ECP)											
	PS/2	1 (Y cable for mouse and keyboard is included in the package)											
Watchdog Timer	Output	System reset											
	Interval	Programmable 1-255 sec											
Miscellaneous	Audio	Intel High Definition audio interface (Required an audio extension module P/N: PCA-AUDIO-HDA1E)											
Environment	Ambient Temperature	Operating 0 ~ 60° C(32~140° F);							Non-operating -40 ~ 85° C and 60° C @ 95% RH Non-Condensing				
		Operating humidity: 40° C @ 85% RH Non-Condensing											
Physical	Dimensions	338 mm (L) x 122 mm (W) (13.3" x 4.8")											

## Block Diagram



## Ordering Information

Part Number	PCH	Memory	Backplane	LAN	VGA	DVI	COM	SATA II	SATA III	USB 2.0	USB 3.0	S/W Raid	iAMT	IPMI
PCE-7127G2-00A1E	C216	ECC/Non-ECC	PCE-5BXX/7BXX*	2	Yes	Yes*	2	4	2	9	3	Yes	Yes	Optional

\* Note: 1. PCE-7127 supports all Advantech PCE-5BXX/7BXX backplanes except PCE-7B10-04A1E  
 2. Output DVI-D signal only (Required DVI-D cable: 1700008822)

## Optional Accessories

Part Number	Description
1960047831N001	PCE-7127 Proprietary CPU Cooler (2U)
PCA-AUDIO-HDA1E	Audio extension module
1700008822	DVI-D Cable
PCA-TPM-00A1E	Trusted Platform Module compliant TCG 1.2

## Packing List

Part Number	Description	Quantity
1700003194	Serial ATA HDD data cable	x2
1703150102	Serial ATA HDD power cable	x2
1701260305	COM + printer ports cable kit	x1
1700060202	Keyboard and mouse Y-cable	x1
1700008461	4-port USB cable kit	x1
9689000068	Jumper package	x1
2190000902	Warranty Card	x1
2006512700	Startup manual	x1
2066512700	Utility CD	x1

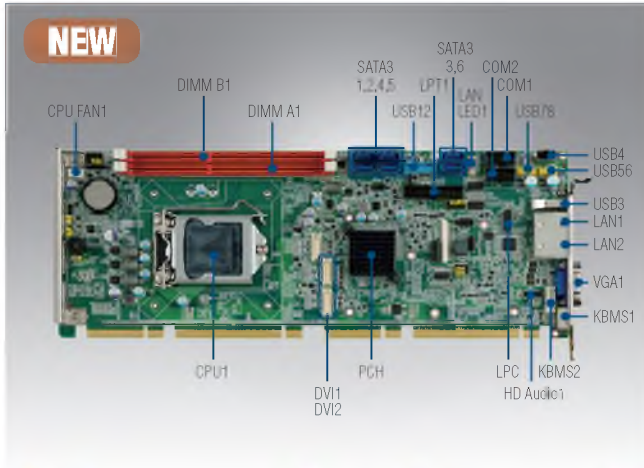
## Bracket View



PCE-7127G2-00A1E

# PCE-5128

LGA1150 Intel® Core™ i7/i5/i3/Pentium® SHB  
DDR3/SATA 3.0/USB3.0/Dual GbE /3 Displays



## Features

- Supports Intel® Core™ i7/i5/i3 LGA1150 processors with Q87
- Dual Channel (Non-ECC) DDR3 1333/1600 up to 16 GB
- Supports PCIE 3.0, USB 3.0, SATA3.0, SW Raid 0, 1, 5, 10
- Supports CRT and 2 x DVI-D(optional) display
- Supports out-of-band remote management with AMT9.0
- Supports Advantech TPM module (LPC I/O)
- Supports SUSIAccess and Embedded Software APIs

### Software APIs:



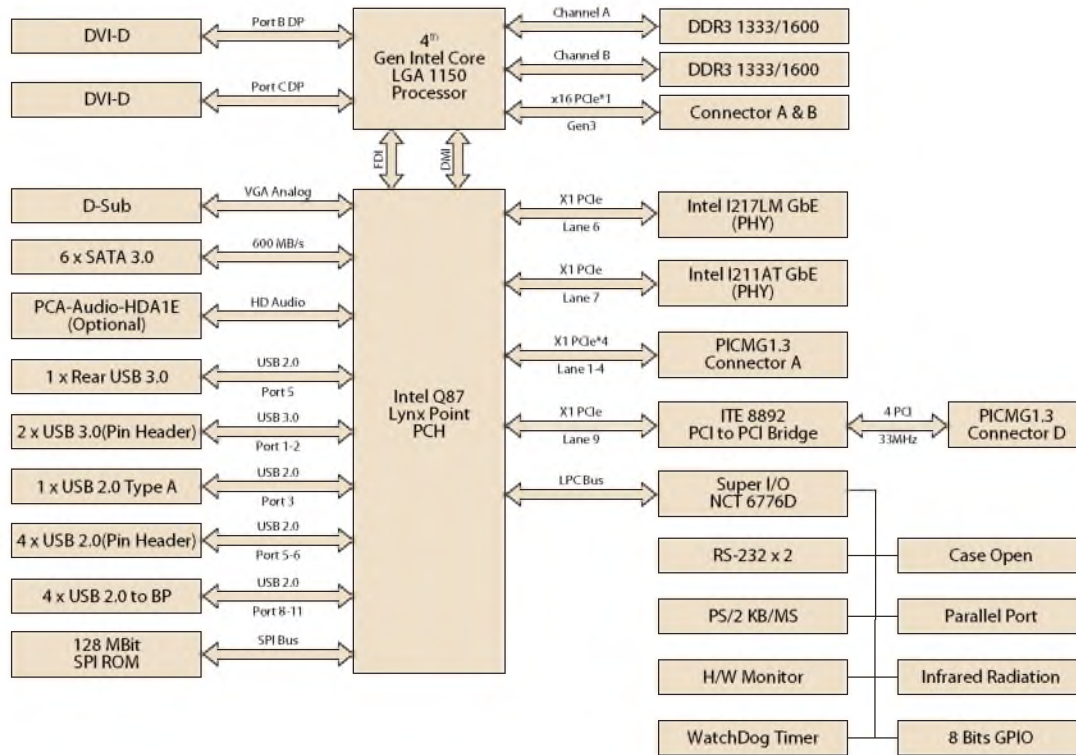
### Utilities:



## Specifications

Processor System		Haswell refresh CPUs are supported from BIOS V2.xx								
CPU		i7-4790S	i5-4590S	i5-4590T	i3-4360	i3-4350T				
Base Frequency		3.2GHz	3.0GHz	2.9GHz	2.0GHz	3.1GHz				
L3 Cache		8MB	6MB	6MB	4MB	4MB				
Processor System		Haswell CPUs are supported in both BIOS V1.xx and V2.xx								
CPU		i7-4770S	i7-4770TE	i5-4570S	i5-4570TE	i3-4330	i3-4330TE	G3420	G3320TE	
Base Frequency		3.1GHz	2.3GHz	2.9GHz	2.7GHz	3.5GHz	2.4GHz	3.2GHz	2.3GHz	
L3 Cache		8MB	8M	6MB	4MB	3MB	3MB	3MB	3MB	
SKU/Chipset		Intel Q87								
BIOS		AMI 128Mbit SPI Flash								
Bus		PCI-Express One x16 plus four x1 to backplane								
		PCI Four 32-bit 33 MHz PCI Masters to backplane								
Memory		Technology Dual channel (Non-ECC) DDR3 1333/1600								
		Max. Cap. 16 GB (8 GB per DIMM)								
		Socket DDR3 240-pin DIMM x 2								
Graphics		Controller Chipset integrated Intel HD Graphics								
		VRAM Shared system memory is subject to OS								
		CRT Supports resolution up to 2048 x 1536 pixel at 60MHz								
		DVI-D Supports resolution up to 1920 x 1200 pixel at 60MHz								
		Triple Display CRT+DVI-D+ DVI-D								
Ethernet		Interface 10/100/1000 Mbps								
		Controller LAN 1: Intel I217LM LAN 2: Intel I211AT								
		Connector with LED RJ-45 x 2								
SATA		S/W Raid 0, 1, 5, 10								
		SATA 3.0 x 6 (600 MB/sec)								
Rear I/O		USB 3.0 1								
		Ethernet 2								
		VGA 1								
		PS/2 1 (PS/2 Y cable supports 1 x keyboard and 1 x mouse)								
Internal Connector		USB Night USB2.0 (Pin-header*4+USB Type A*1+ 4 on backplane); Two USB3.0 (Pin header)								
		SATA 6								
		DVI-D 2 (Pin header)								
		COM 2								
		Parallel 1								
		IrDA 1								
		GPIO 8-bit								
Watchdog Timer		Output System reset								
		Interval Programmable 1-255 sec								
Miscellaneous		Audio Intel High Definition audio interface (required an audio extension module P/N: PCA-AUDIO-HDA1E)								
Power Requirement		Test Environment Core i7-4770S DDR3 1600 8GB x 2								
		+12V	+5V	+3.3V	+5Vsb	-12V				
		4.02A	1.36A	0.81A	0.09A	0A	0A			
Environment		Operating					Non-operating			
		0 - 60° C (32-140° F); Depends on CPU frequency and cooler solution					-40 - 85° C and 60° C @ 95% RH Non-Condensing			
		Operating humidity: 40° C @ 85% RH Non-Condensing								
Physical		Dimensions 338 mm (L) x 122 mm (W) (13.3" x 4.8")								

## Block Diagram



## Ordering Information

Part Number	PCH	Memory	Backplane	LAN	VGA	DVI-D	COM	SATA III	USB 2.0	USB 3.0	S/W Raid	AMT
PCE-5128G2-00A1E	Q87	Non-ECC	PCE-5BXX	2	Yes	2*	2	6	10	3	Yes	Yes

Note: DVI-D cable is optional

## Optional Accessories

Part Number	Description
1960047831N001	PCE-5128 optimized CPU Cooler (2U)
PCA-AUDIO-HDA1E	Audio module
PCA-TPM-00A1E	TPM module(Trust Platform management)
1700020277-01	2 ports USB 3.0 cable W/ BKT(30cm)
1700021831-01	DP to DVI-D cable w/ BKT

## Packing List

Part Number	Description	Quantity
1700003194	Serial ATA HDD data cable	x2
1703150102	Serial ATA HDD power cable	x2
1701260305	COM + printer ports cable kit	x1
1700060202	Keyboard and mouse Y-cable	x1
1700008461	4-port USB cable kit	x1
9689000068	Jumper package	x1
2190000902	Warranty Card	x1
2006512800	Startup manual	x1
2066512800	Utility CD	x1

## Bracket View



PCE-5128G2-00A1E

**По вопросам продаж и поддержки обращайтесь:**

Архангельск (8182)63-90-72  
Астана +7(7172)727-132  
Белгород (4722)40-23-64  
Брянск (4832)59-03-52  
Владивосток (423)249-28-31  
Волгоград (844)278-03-48  
Вологда (8172)26-41-59  
Воронеж (473)204-51-73  
Екатеринбург (343)384-55-89  
Иваново (4932)77-34-06  
Ижевск (3412)26-03-58  
Казань (843)206-01-48

Калининград (4012)72-03-81  
Калуга (4842)92-23-67  
Кемерово (3842)65-04-62  
Киров (8332)68-02-04  
Краснодар (861)203-40-90  
Красноярск (391)204-63-61  
Курск (4712)77-13-04  
Липецк (4742)52-20-81  
Магнитогорск (3519)55-03-13  
Москва (495)268-04-70  
Мурманск (8152)59-64-93  
Набережные Челны (8552)20-53-41

Нижний Новгород (831)429-08-12  
Новокузнецк (3843)20-46-81  
Новосибирск (383)227-86-73  
Орел (4862)44-53-42  
Оренбург (3532)37-68-04  
Пенза (8412)22-31-16  
Пермь (342)205-81-47  
Ростов-на-Дону (863)308-18-15  
Рязань (4912)46-61-64  
Самара (846)206-03-16  
Санкт-Петербург (812)309-46-40  
Саратов (845)249-38-78

Смоленск (4812)29-41-54  
Сочи (862)225-72-31  
Ставрополь (8652)20-65-13  
Тверь (4822)63-31-35  
Томск (3822)98-41-53  
Тула (4872)74-02-29  
Тюмень (3452)66-21-18  
Ульяновск (8422)24-23-59  
Уфа (347)229-48-12  
Челябинск (351)202-03-61  
Череповец (8202)49-02-64  
Ярославль (4852)69-52-93