

# Многопортовые модули серии PCM-24 XXXX, PCM-23 XXXX.

## ТЕХНИЧЕСКИЕ ХАРАКТЕРИСТИКИ

**По вопросам продаж и поддержки обращайтесь:**

Архангельск (8182)63-90-72  
Астана +7(7172)727-132  
Белгород (4722)40-23-64  
Брянск (4832)59-03-52  
Владивосток (423)249-28-31  
Волгоград (844)278-03-48  
Вологда (8172)26-41-59  
Воронеж (473)204-51-73  
Екатеринбург (343)384-55-89  
Иваново (4932)77-34-06  
Ижевск (3412)26-03-58  
Казань (843)206-01-48

Калининград (4012)72-03-81  
Калуга (4842)92-23-67  
Кемерово (3842)65-04-62  
Киров (8332)68-02-04  
Краснодар (861)203-40-90  
Красноярск (391)204-63-61  
Курск (4712)77-13-04  
Липецк (4742)52-20-81  
Магнитогорск (3519)55-03-13  
Москва (495)268-04-70  
Мурманск (8152)59-64-93  
Набережные Челны (8552)20-53-41

Нижний Новгород (831)429-08-12  
Новокузнецк (3843)20-46-81  
Новосибирск (383)227-86-73  
Орел (4862)44-53-42  
Оренбург (3532)37-68-04  
Пенза (8412)22-31-16  
Пермь (342)205-81-47  
Ростов-на-Дону (863)308-18-15  
Рязань (4912)46-61-64  
Самара (846)206-03-16  
Санкт-Петербург (812)309-46-40  
Саратов (845)249-38-78

Смоленск (4812)29-41-54  
Сочи (862)225-72-31  
Ставрополь (8652)20-65-13  
Тверь (4822)63-31-35  
Томск (3822)98-41-53  
Тула (4872)74-02-29  
Тюмень (3452)66-21-18  
Ульяновск (8422)24-23-59  
Уфа (347)229-48-12  
Челябинск (351)202-03-61  
Череповец (8202)49-02-64  
Ярославль (4852)69-52-93

# PCM-24R2GL

## 2-Port Gigabit Ethernet, mPCIe, RJ45

NEW



iDoor RAHS CE FCC

### Features

- Meets Advantech Standard iDoor Technology
- PCI Express® Mini Card Specification Revision 1.2 compliant
- Supports 2 Gigabit Ethernet MAC Controller and PHY ports
- Supports 32/64-bit Windows 7/8, Linux 2.4/2.6
- Supports Embedded Automation PC UNO-2200/2400 series
- Supports Control DIN-Rail PC UNO-1200/1300/1400 series
- Supports Control Cabinet PC UNO-3200/3300/3400 series
- Supports Control Panel Computers TPC-xx81/xx82 series
- Supports Thin Client Panel Computers TPC-xx51 series

### Introduction

The PCM-24 series are categorized as communication modules from Advantech iDoor Technology. All of them are compatible with the PCI Express® Mini Card Specification Revision 1.2, including Isolated / Non-Isolated RS-232/422/485 communication cards for automation control, Wi-Fi /3G/GPS/GSM/LTE wireless communication models for data exchange during the management and machine level of automation application, Zigbee module as an IoT terminal or controller and PoE function for smart camera in detect inspection application of production. This is a flexible design that enables customers to customize their features which meet iDoor Technology.

### Specifications

#### General

- **Bus Type** PCI Express Mini Card Revision 1.2
- **Certification** CE, FCC class A
- **Connectors** 2 x RJ45
- **Dimensions** Module: 51 x 30 x 12.4 mm (2" x 1.18" x 0.49")  
I/O Plate: 81 x 19.4 x 41 mm (3.19" x 0.76" x 1.61")

#### Communications

- **LAN Controller** Intel® I350-AM2 LAN Controller
- **Speed** 10/100/1000 Mbps
- **No. of Ports** 2 Gigabit Ethernet Media Access Control (MAC) and physical layer (PHY) ports.

#### Power Requirements

- **Power Consumption** Typical: +3.3 V @ 9 W

#### Protection

- **Isolation Protection** 1,600 V<sub>DC</sub>
- **ESD Protection** 4 KV (Contact), 8 KV (Air)
- **EFT Protection** 1,000 V

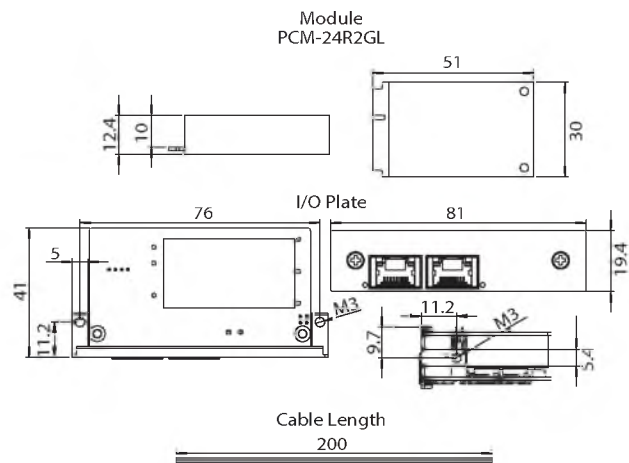
#### Software

- **OS Support** Microsoft® Windows® 7/8, Linux 2.4/2.6

#### Environment

- **Operating Humidity** 5 ~ 95% RH
- **Operating Temperature** 0 ~ 60°C (32 ~ 140°F)
- **Storage Temperature** -20 ~ 80°C (-4 ~ 176°F)

### Dimensions



### Ordering Information

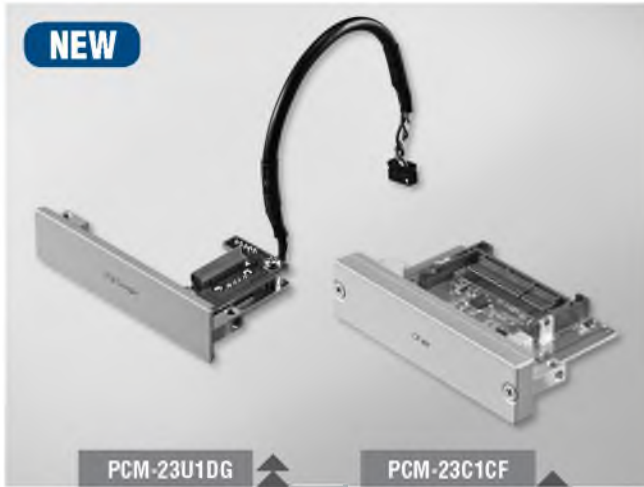
- **PCM-24R2GL-AE** Gigabit Ethernet, mPCIe, RJ45 x 2

# PCM-23C1CF

# PCM-23U1DG

1 CFast Slot with Cover Protection

USB Slot w/ Lock for USB Dongle



## Features

- Meets Advantech Standard iDoor Technology
- PCM-23C1CF includes single CFast II slot which utilizes existing internal HDD cable
- PCM-23C1CF includes a captive screw type cover for CFast card protection
- PCM-23U1DG includes locked USB connector preventing disk from falling out
- Supports Control DIN-Rail PC UNO-1300
- Supports Embedded Automation PC UNO-2400 series
- Supports Control Cabinet PC UNO-3200/3400 series
- Supports Control DIN-Rail PC UNO-1400 (PCM-23C1CF)
- Supports Embedded Automation PC UNO-2300 series (PCM-23C1CF)
- Supports Control Cabinet PC UNO-3300 series (PCM-23U1DG)

## Introduction

The PCM-23 series are storage modules from Advantech iDoor Technology. They are compatible with the PCI Express® Mini Card Specification Revision 1.2, including MRAM for automation machine memory back up which will no need battery, SATA to CFast on ThinClient terminal with storage for shorter maintenance and shorter MTB repair, Locked USB Dongle for Software protection in SCADA system, and TPM on Quality system management. This is a flexible design that enables customers to customize their features which meet iDoor Technology.

## PCM-23C1CF Specifications

### General

- Dimensions** 19.4 x 81 x 41 mm
- Features** I/O plate to SATA connector
- Form Factor** I/O Plate
- Contents** I/O module, bracket
- Operating Temperature** 0 – 60°C (32 – 140°F)
- I/O Port** CFast Type II connector
- Quantity** 1
- Color** Silver

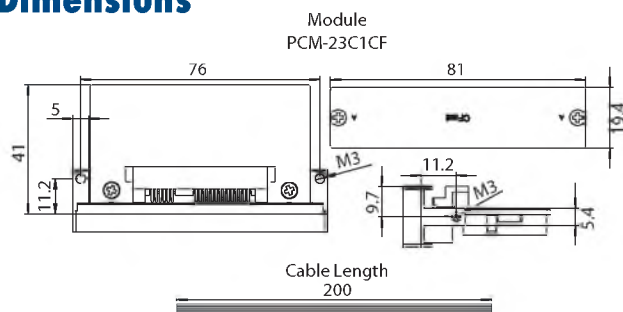
## PCM-23U1DG Specifications

### General

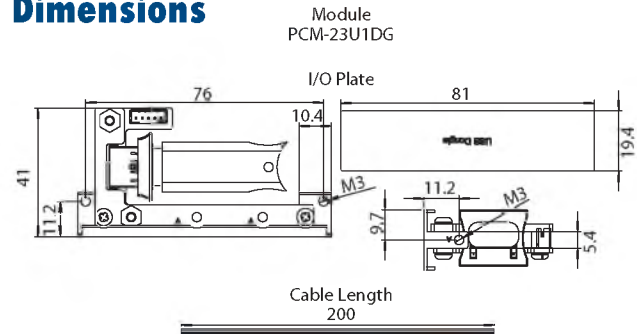
- Dimensions** 19.4 x 81 x 41 mm (USB: L x W x H-max: 52 x 17 x 10)
- Features** USB A-type, 2.54 mm 5P header w/ +5V supported
- Form Factor** I/O Plate
- Contents** I/O module, cable, bracket
- Operating Temperature** 0 – 60°C (32 – 140°F)
- I/O Port** Internal USB 2.0
- Quantity** 1
- Color** Silver

\* PCM-23U1DG must be utilized on the platforms which includes internal USB pin-header

## Dimensions



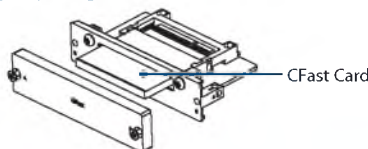
## Dimensions



## Ordering Information

- PCM-23C1CF-AE SATAII 3G/Sec to CFast

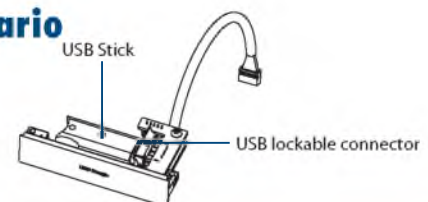
## User scenario



## Ordering Information

- PCM-23U1DG-AE USB Slot w/ Lock for USB Dongle

## User scenario



# PCM-24R1TP

1-Port Gigabit Ethernet, Intel® 82574L, mPCIe, RJ45

NEW



## Features

- Meets Advantech Standard iDoor Technology
- PCI Express® Mini Card Specification Revision 1.2 compliant
- Real-time Ethernet with hardware based Precision Time Protocol
- Achieves time synchronization for device or system
- I/O address automatically assigned by PCIe plug & play
- Supports 32/64-bit Windows 7/8, Linux 2.4/2.6
- Supports Embedded Automation PC UNO-2200/2300/2400 series
- Supports Control DIN-Rail PC UNO-1200/1300/1400 series
- Supports Control Cabinet PC UNO-3200/3300/3400 series
- Supports Control Panel Computers TPC-xx81/xx82 series
- Supports Thin Client Panel Computers TPC-xx51 series

## Introduction

The PCM-24 series are categorized as communication modules from Advantech iDoor Technology. They are all compatible with the PCI Express® Mini Card Specification Revision 1.2, including Isolated / Non-Isolated RS-232/422/485 communication cards for automation control, Wi-Fi/3G/GPS/GSM/LTE wireless communication models for data exchange during the management and machine level of automation application, Zigbee module as an IoT terminal or controller and PoE function for smart camera in detect inspection application of production. This is a flexible design that enables customers to customize their features which meet iDoor Technology.

## Specifications

### General

- **Bus Type** PCI Express Mini Card Revision 1.2
- **Certification** CE, FCC class A
- **Connectors** 1 x RJ45 GbE Half-/Full-Duplex
- **Dimensions** Module: 51 x 30 x 12.4 mm (2" x 1.18" x 0.49")  
I/O Plate: 81 x 19.4 x 41 mm (3.19" x 0.76" x 1.61")
- **Power Consumption** Typical : +3.3V @ 9 W

### Communications

- **LAN Controller** Intel® 82574L Gigabit Ethernet Chip
- **Speed** 10/100/1000 Base-TX, Auto-negotiation
- **Support** 9K jumbo frames, hardware-based support for precise time synchronization over Ethernet, wake-on-LAN

### Protection

- **Isolation Protection** 1,500 V<sub>DC</sub>
- **ESD Protection** 4KV (Contact), 8KV (Air)
- **EFT Protection** 1,000 V
- **Surge Protection** 1,000 V<sub>DC</sub>

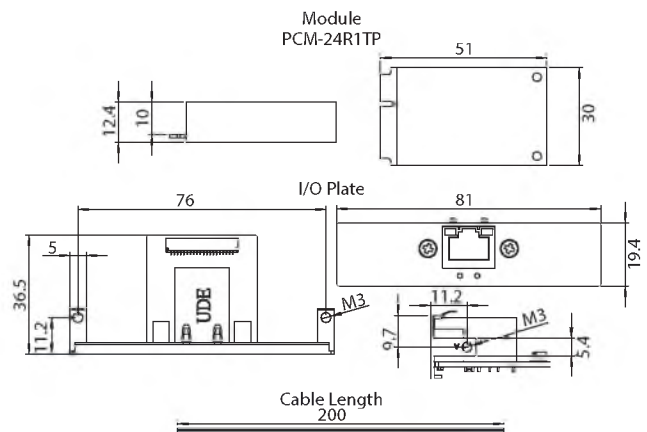
### Software

- **OS Support** Microsoft® Windows® 7/8, Linux

### Environment

- **Humidity (Operating)** 5-95% RH, non-condensing
- **Operating Temperature** -20 ~ 60°C (-4 ~ 140°F)
- **Storage Temperature** -40 ~ 85°C (-40 ~ 185°F)

## Dimensions



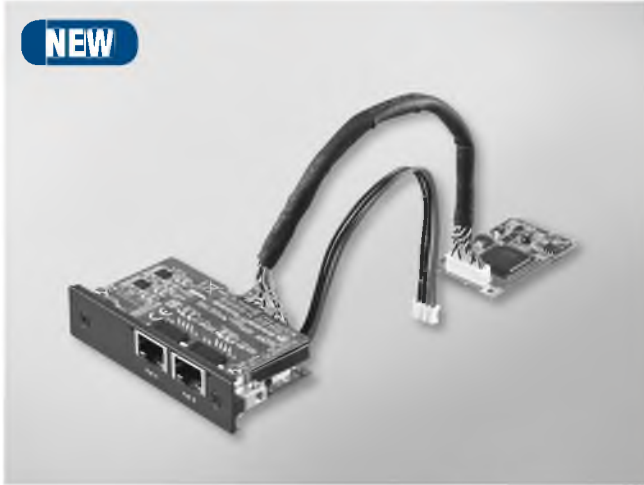
## Ordering Information

- **PCM-24R1TP-AE** Intel® 82574L, GbE, RJ45 x 1

# PCM-24R2PE

2-Port Gigabit Ethernet, IEEE 802.3af (PoE)  
Compliant, mPCIe, RJ45

NEW



iDoor RoHS COMPLIANT CE FCC

## Features

- Meets Advantech Standard iDoor Technology
- PCI Express® Mini Card Specification Revision 1.2 compliant
- Supports 2 Gigabit Ethernet MAC Controller and PHY ports
- Supports 24 V<sub>DC</sub> input power boost up to 15.4 W at 48 V<sub>DC</sub> per PoE port
- Supports PoE (Power over Ethernet), IEEE 802.3af compliant
- Powered Device (PD) auto detection and classification
- Supports IEEE 802.3u Auto-Negotiation
- Supports 32/64-bit Windows 7/8, Linux 2.4/2.6
- Supports Embedded Automation PC UNO-2400 series
- Supports Control DIN-Rail PC UNO-1300/1400 series
- Supports Control Cabinet PC UNO-3200/3300/3400 series

## Introduction

The PCM-24 series are categorized as communication modules from Advantech iDoor Technology. All of them are compatible with the PCI Express® Mini Card Specification Revision 1.2, including Isolated / Non-Isolated RS-232/422/485 communication cards for automation control, Wi-Fi /3G/GPS/GSM/LTE wireless communication models for data exchange during the management and machine level of automation application, Zigbee module as an IoT terminal or controller and PoE function for smart camera in detect inspection application of production. This is a flexible design that enables customers to customize their features which meet iDoor Technology.

## Specifications

### General

- Bus Type** PCI Express Mini Card Revision 1.2
- Certification** CE, FCC class A
- Connectors** 2 x RJ45 GbE Half-/Full-Duplex
- Dimensions** Module: 51 x 30 x 12.4 mm (2" x 1.18" x 0.49")  
I/O Plate: 81 x 19.4 x 41 mm (3.19" x 0.76" x 1.61")

\*Shielding ethernet cable is recommended for use in PoE applications.

### Communications

- PoE Controller** MICROSEMI\_PD69101ILQ-TR
- Compatibility** IEEE 802.3, IEEE 802.3u, IEEE 802.3ab, IEEE 802.3x, IEEE 802.3af
- Speed** 10/100/1000 Mbps
- No. of Ports** 2 Gigabit Ethernet Media Access Control (MAC) and physical layer (PHY) ports

### Power Requirements

- Input Voltage** 24 V<sub>DC</sub>
- Overload Current** Present Protection
- Connection** Internal 24 V<sub>DC</sub>  
External 24 V<sub>DC</sub> Phoenix terminal block (Optional add-on)
- Output PoE Power** 48 V<sub>DC</sub> PoE Power output PCM-24R2PE  
Supports 2 PoE ports up to 2 x 15.4 W at 48 V<sub>DC</sub>

### Protection

- Isolation Protection** 1,600 V<sub>DC</sub>
- ESD Protection** 4KV (Contact), 8KV (Air)
- EFT Protection** 1,000 V

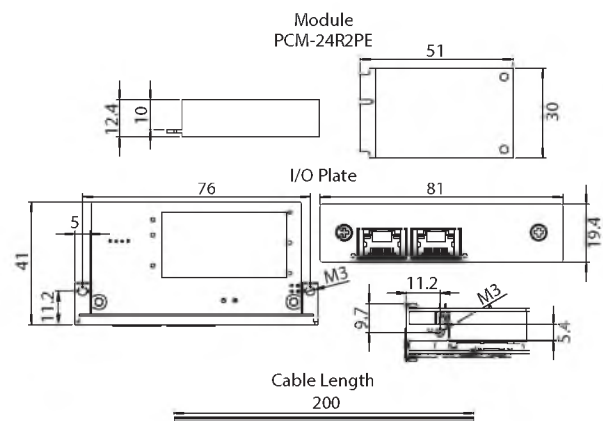
### Software

- OS Support** Microsoft® Windows® XP/7/8, Linux 2.4/2.6

### Environment

- Operating Humidity** 5 – 95% RH
- Operating Temperature** -20 – 50°C (-4 – 122°F)
- Storage Temperature** -25 – 80°C (-13 – 176°F)

## Dimensions



## Ordering Information

- PCM-24R2PE-AE** GbE, IEEE 802.3af (PoE) Compliant, mPCIe, RJ45 x2

# PCM-2300MR

MR4A16B, MRAM, 2 MByte, mPCIe

NEW



## Features

- Meets Advantech Standard iDoor Technology
- PCI Express® Mini Card Specification Revision 1.2 compliant
- Data always non-volatile for >20-year at temperature
- Read / Write Memory speed 6 MB/Sec
- 2MB MRAM Storage
- I/O address automatically assigned by PCIe plug & play
- Supports Microsoft® Windows CE5/CE6
- Supports Microsoft® Windows Enterprise Server 2008, Windows Embedded Standard WES7/2009, Windows XP/7
- Supports Linux Intel x86 hardware platform
- Supports Embedded Automation PC UNO-2200/2300/2400 series
- Supports Control DIN-Rail PC UNO-1200/1300/1400 series
- Supports Control Cabinet PC UNO-3200/3300/3400 series
- Supports Control Panel Computers TPC-xx81/xx82 series
- Supports Thin Client Panel Computers TPC-xx51 series

## Introduction

The PCM-23 series is categorized as Industrial storage or memory modules for the mPCIe interface which is able to extend connection to the connector through iDoor technology with different functions. They are all compatible with the PCI Express® Mini Card Specification Revision 1.2. including Isolated / Non-Isolated RS-232/422/485 communication cards for automation control, Wi-Fi/3G/GPS/GSM/LTE wireless communication models for data exchange during the management and machine level of automation application, Zigbee module as an IoT terminal or controller and PoE function for smart camera in detect inspection application of production. This is a flexible design that enables customers to customize their features which meet iDoor Technology.

## Specifications

### General

- Bus Type** PCI Express Mini Card Revision 1.2
- Certification** CE, FCC class A
- Dimensions** Module: 51 x 30 x 12.4 mm (2" x 1.18" x 0.49")
- Power Consumption** Typical : +3.3 V @ 150 mA

### Memory

- Memory Everspin** MR4A16B
- Size** 2 MB
- Read/Write Speed** 6 MB/sec

### Software

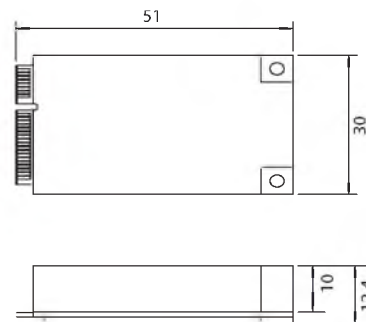
- Driver** Microsoft® Windows CE5/CE6  
Microsoft® Windows Enterprise Server 2008  
Microsoft® Windows Embedded Standard WES7/2009  
Microsoft® Windows XP/7

### Environment

- Humidity (Operating)** 5-95% RH, non-condensing
- Operating Temperature** -20 ~ 60°C (-4 ~ 140°F)
- Storage Temperature** -40 ~ 85°C (-40 ~ 185°F)
- Maximum magnetic field immunity during write** 8000 A/m
- Maximum magnetic field during reading or standby** 8000 A/m

## Dimensions

Module  
PCM-2300MR



## Ordering Information

- PCM-2300MR-AE** MR4A16B, MRAM, 2MByte

**По вопросам продаж и поддержки обращайтесь:**

Архангельск (8182)63-90-72  
Астана +7(7172)727-132  
Белгород (4722)40-23-64  
Брянск (4832)59-03-52  
Владивосток (423)249-28-31  
Волгоград (844)278-03-48  
Вологда (8172)26-41-59  
Воронеж (473)204-51-73  
Екатеринбург (343)384-55-89  
Иваново (4932)77-34-06  
Ижевск (3412)26-03-58  
Казань (843)206-01-48

Калининград (4012)72-03-81  
Калуга (4842)92-23-67  
Кемерово (3842)65-04-62  
Киров (8332)68-02-04  
Краснодар (861)203-40-90  
Красноярск (391)204-63-61  
Курск (4712)77-13-04  
Липецк (4742)52-20-81  
Магнитогорск (3519)55-03-13  
Москва (495)268-04-70  
Мурманск (8152)59-64-93  
Набережные Челны (8552)20-53-41

Нижний Новгород (831)429-08-12  
Новокузнецк (3843)20-46-81  
Новосибирск (383)227-86-73  
Орел (4862)44-53-42  
Оренбург (3532)37-68-04  
Пенза (8412)22-31-16  
Пермь (342)205-81-47  
Ростов-на-Дону (863)308-18-15  
Рязань (4912)46-61-64  
Самара (846)206-03-16  
Санкт-Петербург (812)309-46-40  
Саратов (845)249-38-78

Смоленск (4812)29-41-54  
Сочи (862)225-72-31  
Ставрополь (8652)20-65-13  
Тверь (4822)63-31-35  
Томск (3822)98-41-53  
Тула (4872)74-02-29  
Тюмень (3452)66-21-18  
Ульяновск (8422)24-23-59  
Уфа (347)229-48-12  
Челябинск (351)202-03-61  
Череповец (8202)49-02-64  
Ярославль (4852)69-52-93