

Одноплатные компьютеры с архитектурой RISC серии ROM

ТЕХНИЧЕСКИЕ ХАРАКТЕРИСТИКИ

По вопросам продаж и поддержки обращайтесь:

Архангельск (8182)63-90-72
Астана +7(7172)727-132
Белгород (4722)40-23-64
Брянск (4832)59-03-52
Владивосток (423)249-28-31
Волгоград (844)278-03-48
Вологда (8172)26-41-59
Воронеж (473)204-51-73
Екатеринбург (343)384-55-89
Иваново (4932)77-34-06
Ижевск (3412)26-03-58
Казань (843)206-01-48

Калининград (4012)72-03-81
Калуга (4842)92-23-67
Кемерово (3842)65-04-62
Киров (8332)68-02-04
Краснодар (861)203-40-90
Красноярск (391)204-63-61
Курск (4712)77-13-04
Липецк (4742)52-20-81
Магнитогорск (3519)55-03-13
Москва (495)268-04-70
Мурманск (8152)59-64-93
Набережные Челны (8552)20-53-41

Нижний Новгород (831)429-08-12
Новокузнецк (3843)20-46-81
Новосибирск (383)227-86-73
Орел (4862)44-53-42
Оренбург (3532)37-68-04
Пенза (8412)22-31-16
Пермь (342)205-81-47
Ростов-на-Дону (863)308-18-15
Рязань (4912)46-61-64
Самара (846)206-03-16
Санкт-Петербург (812)309-46-40
Саратов (845)249-38-78

Смоленск (4812)29-41-54
Сочи (862)225-72-31
Ставрополь (8652)20-65-13
Тверь (4822)63-31-35
Томск (3822)98-41-53
Тула (4872)74-02-29
Тюмень (3452)66-21-18
Ульяновск (8422)24-23-59
Уфа (347)229-48-12
Челябинск (351)202-03-61
Череповец (8202)49-02-64
Ярославль (4852)69-52-93

ROM-5420

**Freescale ARM Cortex-A9
i.MX6 SMARC Module**

NEW



Features

- Freescale ARM Cortex-A9 i.MX6 Dual 1 GHz high performance processor
- Onboard DDR3 1 GB
- Parallel RGB, HDMI, Single channel 24bit LVDS, 1366 x 768
- Supports 4 GB eMMC Flash, 1 SD/MMC, 1 SATA
- 2 CAN, 4 UART, 5 I²C, 12 GPIO, 1 PCIe, 1 camera input and 1 Gigabit LAN
- Supports OpenGL ES 2.0 and OpenVG 1.1 hardware accelerators
- Supports full HD hardware encode/decode engine
- Supports image protection

Introduction

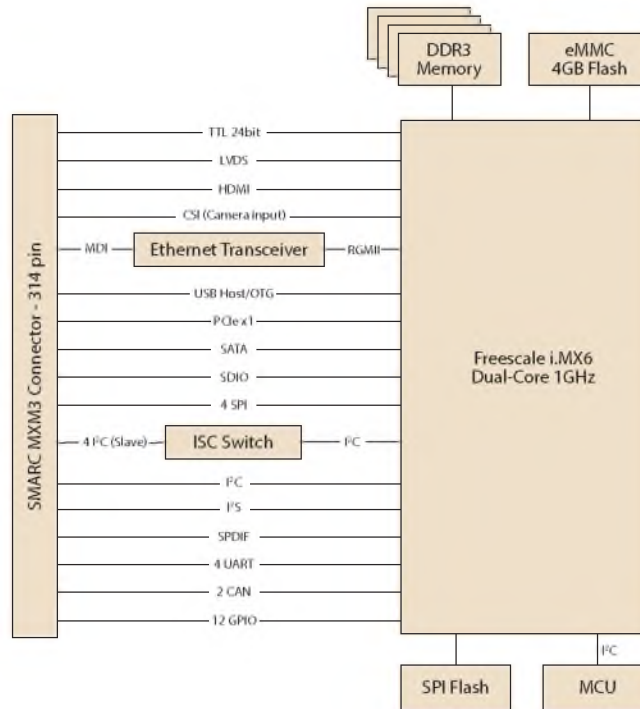
ROM-5420 series SMARC module has an integrated Freescale i.MX6 Cortex-A9 SoC. Freescale i.MX6 supports 2D/3D graphics accelerators, a full HD 1080p encode/decode hardware engine and two independent display outputs. ROM-5420 series support security protection and it protects user image from plagiarism. The camera input and power input +3V~5.25V support are specially designed for portable applications.

ROM-5420 SMARC module has Advantech ROM-DB5900 evaluation carrier board for easy integration and hardware design reference, and also provides Linux BSP, a schematic check tool, test utilities and reference codes for application development and device integration.

Specifications

Form Factor		SMARC
Processor System	CPU	Freescale ARM Cortex-A9 i.MX6 Dual 1 GHz
Memory	Technology	DDR3 1066 MHz
	Capacity	On-board DDR3 1 GB
	Flash	4 GB eMMC NAND Flash for O.S. and 4 MB SPI NOR Flash for Advantech boot loader
Graphics	LVDS	1 Single 24-bit LVDS, 1366 x 768
	HDMI	1920 x 1080
	Parallel RGB	1 24-bit TTL, 2048 x 1536
	VGA	-
	Graphics Engine	3 GPUs. OpenGL ES 2.0 for 3D, BitBlit for 2D and OpenVG 1.1
H/W Video Codec	Decoder	MPEG-4 ASP, H.264 HP, H.263, MPEG-2 MP, MJPEG BP
	Encoder	MPEG-4 SP, H.264 BP, H.263, MJPEG BP
Ethernet	Chipset	Freescale i.MX6 integrated RGMII
	Speed	1 x 10/100/1000 Mbps
RTC	RTC	Yes
WatchDog Timer		256-level timer interval, from 0 ~ 128 sec
I/O	PCIe	1 PCIe, 1 x Lane
	SATA	1 SATA II
	USB	1 USB 2.0, 1 USB 2.0 OTG
	Audio	I ² S
	SPDIF	1
	SDIO	1
	Serial Port	4 UART (2 x 2 wire, 2 x 4 wire w/ 3.3V)
	SPI	4
	CAN	2 x CAN bus 2.0B
	GPIO	12
	I ² C	5
	Camera Input	1 MIPI v1.0, 4x Lane
	System Bus	-
	Touch	-
Keypad	-	
Power	Power Supply Voltage	+3 ~ 5.25 V
	Power Consumption	TBD
Environment	Operational Temperature	0 ~ 60° C/ -40 ~ 85° C
	Operating Humidity	0% ~ 90% relative humidity, non-condensing
Mechanical	Dimensions (W x D)	82 x 50 mm
Operating System		Linux Kernel v3.0.35
Certifications		CE/FCC Class B

Block Diagram

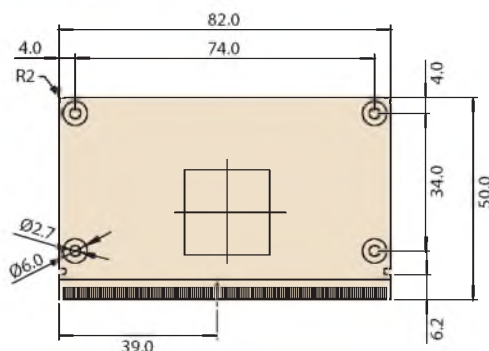


Ordering Information

Part No.	CPU	Memory	Flash Memory	UART	LAN	USB Host	USB OTG	Display	SATA	PCIe	HDMI	SD	CANbus	I ² C	SPI	Size	Power input	Operating Temperature
ROM-5420CD-MDA1E	i.mx6 Dual 1GHz	1 GB	4 GB	4	1	1	1	1x 24bit LVDS 1x 24bit TTL 1x HDMI	1	1	1	1	2	5	4	82 x 50 x 5 mm	3 ~ 5.25V	0 ~ 60° C

Dimensions

Unit: mm



Development Board

Part No.	Description	Quantity
ROM-DB5900-SW00E	SMARC Development Board ROM-DB5900	1

Optional Accessories

Part No.	Description
1700022373-01	Debug port cable for ROM-3420/5420
9696ED2000E	Debug Adapter Board
1757003553	ADAPTER 100-240V 36W 12V 3A
1700001524	Power Cord 3P UL 10A 125V 180cm
SQF-ISDS1-2G-86E	SQF SD C6 SLC 2G, 1CH (-40~85°C)
EWM-W142F01E	802.11 b/g/n, AR9287, 2T2R, Full size Mini PCIe
1750007050-01	WiFi RP-SMA short SMA Jack(9.5mm) to U.F.L_100mm (WiFi Cable)
1750000318	EMI Antenna 2DBI 2.4GHz SMA CONN for ARK-3384 (WiFi Antenna)
EWM-C106FT01E	Cellular, HSUPA/WCDMA/GPRS, Full Mini PCIe
1750007156-01	Cellular/GPS SMA Short JACK(9.5MM) L=100mm (3G Cable)
1750005865	Antenna L=10.9cm 500hm AN8921F-5701SM (3G Antenna)

ROM-7420

Freescale ARM Cortex-A9
i.MX6 Qseven Module

NEW



Features

- Freescale ARM Cortex-A9 i.MX6 Dual 1 GHz high performance processor
- Onboard DDR3 memory 1 GB
- Onboard eMMC NAND Flash 4 GB
- Supports OpenGL ES 2.0 and OpenVG 1.1 hardware accelerators, full HD 1080p video codec
- VGA, HDMI, 24-bit LVDS
- 2 CAN, 4 UART, 3 I²C, 8 GPIO
- 2 USB, 1 SD/MMC
- 1 10/100/1000 Mbps Ethernet; 1 PCIe x1 Gen2
- Optional thermal solution

Introduction

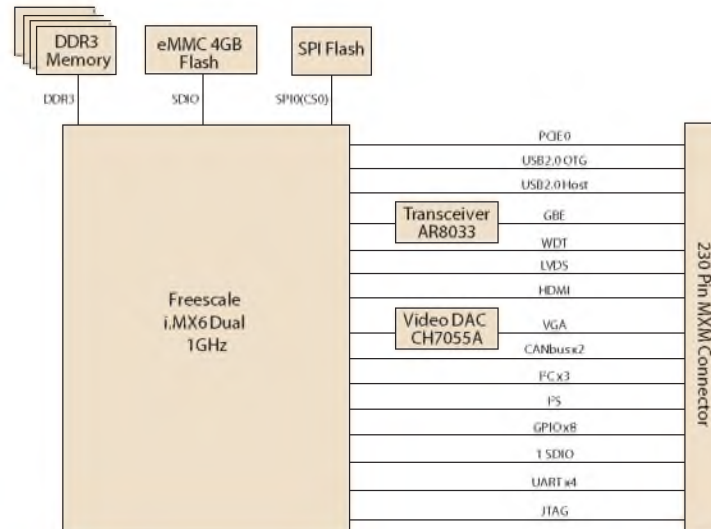
ROM-7420 Qseven Module integrates ARM Cortex-A9 Freescale i.MX6 series ultra low power SoC and I/O solution chips to be Linux support ready. Freescale i.MX6 supports 2D, 3D graphics acceleration, full HD 1080P video decoding and an HD 1080p video encoding hardware engine.

ROM-7420 has Advantech ROM-DB7500 Evaluation Carrier Board for easy integration and design reference; we also offer referenced schematics and layout checklists for carrier board development. Additionally, Linux BSP, test utilities, HW design utilities and reference codes are ready for application development and device integration.

Specifications

Form Factor		Qseven
Processor System	CPU	Freescale ARM Cortex-A9 i.MX6 Dual 1 GHz
Memory	Technology	DDR3 1066 MHz
	Capacity	On-board DDR3 1 GB
	Flash	4 GB eMMC NAND Flash for O.S. and 4 MB SPI NOR Flash for Advantech boot loader
Graphics	LVDS	2 x 24-bit LVDS, 1366 x 768 for 1ch; 1920 x 1080 for 2ch
	HDMI	1920 x 1080
	Parallel RGB	-
	VGA	1920 x 1080
	Graphics Engine	2 IPUs, OpenGL ES 2.0 for 3D, BitBlit for 2D and OpenVG 1.1
	H/W Video Codec	Decoder: MPEG-4 ASP, H.264 HP, H.263, MPEG-2 MP, MJPEG BP Encoder: MPEG-4 SP, H.264 BP, H.263, MJPEG BP
Ethernet	Chipset	Freescale i.MX6 integrated RGMII
	Speed	1 x 10/100/1000 Mbps
RTC	RTC	Yes
WatchDog Timer		256-level timer interval, from 0 ~ 128 sec
I/O	PCIe	1 PCIe, 1 x Lane
	SATA	-
	USB	1 USB 2.0, 1 USB 2.0 OTG
	Audio	I ² S
	SPDIF	-
	SDIO	1
	Serial Port	4 UART (4 x 2 wire, w/ 3.3V)
	SPI	1
	CAN	2 x CAN bus 2.0B
	GPIO	8
	I ² C	3
	Camera Input	-
	System Bus	-
	Touch	-
Keypad	-	
Power	Power Supply Voltage	5 V
	Power Consumption	3.16W (Max. load)
Environment	Operational Temperature	0 ~ 60° C
	Operating Humidity	0% ~ 90% relative humidity, non-condensing
Mechanical	Dimensions (W x D)	70 x 70 mm
Operating System		Linux Kernel v3.0.35
Certifications		CE/FCC Class B

Board Diagram



Ordering Information

Part No.	CPU	Memory	Flash Memory	UART	LAN	USB Host	USB OTG	Display	SATA	PCIe	HDMI	SD	CANbus	PC	SPI	Size	Power Input	Operating Temperature
ROM-7420CD-MDA1E	i.MX6 Dual 1 GHz	1 GB	4 GB	4	1	1	1	2 x 24-bit LVDS 1 x VGA	-	1	1	1	2	3	1	70 x 70 x 5mm	5V	0 ~ 60° C
ROM-7420CS-MCA1E	i.MX6 Solo 1 GHz	512 MB	4 GB	4	1	1	1	2 x 24-bit LVDS 1 x VGA	-	1	1	1	2	3	-	70 x 70 x 5mm	5V	0 ~ 60° C

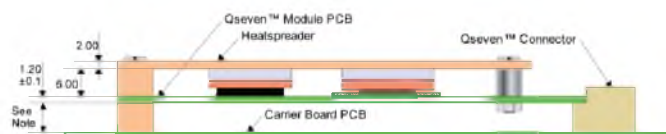
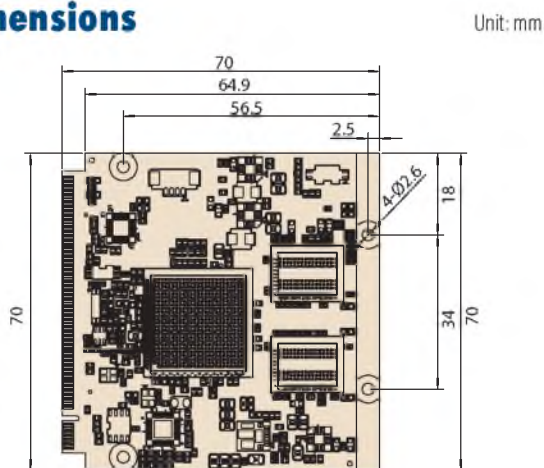
Development Board

Part No.	Description
ROM-DB7500-SCA1E	Development board for RISC Q7 module

Optional Accessories

Part No.	Description
1700020442-01	Debug Port Cable for ROM-7420
9696ED2000E	Debug Port Adapter for ROM-7420
1757003553	ADAPTER 100-240V 36W 12V 3A
1700001524	Power Cord 3P UL 10A 125V 180cm
170203183C	Power Code 3P Europe (WS-010+WS-083)183cm
170203180A	Power Cord 3P UK 2.5A/3A 250V 1.83M
SQF-ISDS1-2G-86E	SQFlash SD card SLC 2G, 1CH (-40 ~ 85° C)
EWM-W142F01E	802.11 b/g/n, AR9287, 2T2R, Full size Mini PCIe
1750007050-01	WiFi RP-SMA short SMA Jack(9.5mm) to U.FL_100mm (WiFi Cable)
1750000318	EMI Antenna 2DBI 2.4GHz SMA CONN for ARK-3384 (WiFi Antenna)
EWM-C106FT01E	Cellular, HSPA/WCDMA/GPRS, Full Mini PCIe
1750007156-01	Cellular/GPS SMA Short JACK(9.5MM) L=100mm (3G Cable)
1750005865	Antenna L=10.9cm 500hm AN8921F-5701SM (3G Antenna)
1960061913N001	Heatsink O-Freescale-S-5W 70x63x8-SC ROM-7420-60

Dimensions



Note: Dimension is dependent on connector height used

All measurements are in millimeters
All dimensions without tolerance ±0.2mm

По вопросам продаж и поддержки обращайтесь:

Архангельск (8182)63-90-72
Астана +7(7172)727-132
Белгород (4722)40-23-64
Брянск (4832)59-03-52
Владивосток (423)249-28-31
Волгоград (844)278-03-48
Вологда (8172)26-41-59
Воронеж (473)204-51-73
Екатеринбург (343)384-55-89
Иваново (4932)77-34-06
Ижевск (3412)26-03-58
Казань (843)206-01-48

Калининград (4012)72-03-81
Калуга (4842)92-23-67
Кемерово (3842)65-04-62
Киров (8332)68-02-04
Краснодар (861)203-40-90
Красноярск (391)204-63-61
Курск (4712)77-13-04
Липецк (4742)52-20-81
Магнитогорск (3519)55-03-13
Москва (495)268-04-70
Мурманск (8152)59-64-93
Набережные Челны (8552)20-53-41

Нижний Новгород (831)429-08-12
Новокузнецк (3843)20-46-81
Новосибирск (383)227-86-73
Орел (4862)44-53-42
Оренбург (3532)37-68-04
Пенза (8412)22-31-16
Пермь (342)205-81-47
Ростов-на-Дону (863)308-18-15
Рязань (4912)46-61-64
Самара (846)206-03-16
Санкт-Петербург (812)309-46-40
Саратов (845)249-38-78

Смоленск (4812)29-41-54
Сочи (862)225-72-31
Ставрополь (8652)20-65-13
Тверь (4822)63-31-35
Томск (3822)98-41-53
Тула (4872)74-02-29
Тюмень (3452)66-21-18
Ульяновск (8422)24-23-59
Уфа (347)229-48-12
Челябинск (351)202-03-61
Череповец (8202)49-02-64
Ярославль (4852)69-52-93