

Промышленные компьютеры для монтажа в панели управления серии ТРС

ТЕХНИЧЕСКИЕ ХАРАКТЕРИСТИКИ

По вопросам продаж и поддержки обращайтесь:

Архангельск (8182)63-90-72
Астана +7(7172)727-132
Белгород (4722)40-23-64
Брянск (4832)59-03-52
Владивосток (423)249-28-31
Волгоград (844)278-03-48
Вологда (8172)26-41-59
Воронеж (473)204-51-73
Екатеринбург (343)384-55-89
Иваново (4932)77-34-06
Ижевск (3412)26-03-58
Казань (843)206-01-48

Калининград (4012)72-03-81
Калуга (4842)92-23-67
Кемерово (3842)65-04-62
Киров (8332)68-02-04
Краснодар (861)203-40-90
Красноярск (391)204-63-61
Курск (4712)77-13-04
Липецк (4742)52-20-81
Магнитогорск (3519)55-03-13
Москва (495)268-04-70
Мурманск (8152)59-64-93
Набережные Челны (8552)20-53-41

Нижний Новгород (831)429-08-12
Новокузнецк (3843)20-46-81
Новосибирск (383)227-86-73
Орел (4862)44-53-42
Оренбург (3532)37-68-04
Пенза (8412)22-31-16
Пермь (342)205-81-47
Ростов-на-Дону (863)308-18-15
Рязань (4912)46-61-64
Самара (846)206-03-16
Санкт-Петербург (812)309-46-40
Саратов (845)249-38-78

Смоленск (4812)29-41-54
Сочи (862)225-72-31
Ставрополь (8652)20-65-13
Тверь (4822)63-31-35
Томск (3822)98-41-53
Тула (4872)74-02-29
Тюмень (3452)66-21-18
Ульяновск (8422)24-23-59
Уфа (347)229-48-12
Челябинск (351)202-03-61
Череповец (8202)49-02-64
Ярославль (4852)69-52-93

TPC-1071H TPC-1071HPB TPC-1071HCA

10.4" SVGA TFT LED LCD Intel® Atom™
Dual-Core D525 Touch Panel Computer

NEW



Features

- Intel® Atom™ D525 1.8 GHz processor
- 10.4" SVGA TFT LED LCD
- Compact design with die-cast Al alloy front bezel
- Fanless cooling system
- IP65 approved front panel
- PCIe and Mini PCIe expansion support
- 8 DI/O and backup SRAM support
- Supports DDR3 SDRAM
- Serial port isolation protection
- Automatic data flow control RS-485
- Gigabit Ethernet supported
- Supports Microsoft® WES7/XP/WES/WinCE
- Supports external antenna for wireless communication
- Supports field-bus communication for PLC connectivity

Introduction

With a high quality TFT LCD display, TPC-1071H range are designed with the Intel® Atom™ D525 processor as its core. The Intel® Atom™ has low power consumption and 1.8 GHz operating frequency. This system is fanless although the kernel is powerful. In addition, spindle-free storage makes the TPC-1071H models durable and reliable platforms. For applications where spindle-free storage is not critical, a fast-access HDD module can be used. The rich I/O portfolio meets diverse requests.

Specifications

General

- **BIOS** AMI 8Mbit
- **Certifications** BSMI, CCC, CE, FCC Class A, UL
- **Cooling System** Fanless design
- **Dimensions (W x H x D)** 287.0 ±0.5x 227.0 ±0.5 x 72.3 ±1.0 mm (11.26" x 8.94" x 2.76")
- **Enclosure** Front bezel: Die-cast Aluminum alloy
Back housing: PC/ABS Resin
- **Mounting** Desktop, Wall or Panel Mount
- **OS Support** Microsoft® WES7/Win7 32/64bit/XP/WES/WinCE5.0/6.0
- **Power Consumption** 17W
- **Power Input** 10-29 V_{DC}
- **Watchdog Timer** 1 ~ 255 sec (system)
- **Weight (Net)** TPC-1071H: 3.5 kg (7.72 lbs)

System Hardware

- **CPU** Intel® Atom™ D525 1.8 GHz with 1MB cache
- **Chipset** ICH8M
- **Memory** 4GB SO-DIMM DDR3 SDRAM
- **LAN** 10/100/1000Base-T x 2
- **Expansion Slots** Half-size PCI-E or full-size Mini PCI-E
- **Storage** CompactFlash® slot x 1
2.5" SATA HDD x 1 (Optional)
- **I/O** RS-232 x 2 (COM1, 2) with isolation
RS-422/485 x 1 (COM3) with isolation and auto data flow control
USB 2.0 x 2 (Host)
PS/2 x 1
- **DI/DO & backup SRAM** 8 x DI/DO with isolation and backup 1MB SRAM

LCD Display

- **Display Type** SVGA TFT LED LCD
- **Display Size** 10.4"
- **Max. Resolution** 800 x 600
- **Max. Colors** 262 K
- **Luminance cd/m²** 400
- **Viewing Angle (H/V°)** 120/100
- **Backlight Life** 50,000 hrs
- **Contrast Ratio** 400:1

Touchscreen

- **Lifespan** 10 million touches at single point
- **Light Transmission** Above 75%
- **Resolution** Linearity
- **Type** 5-wire, analog resistive

Environment

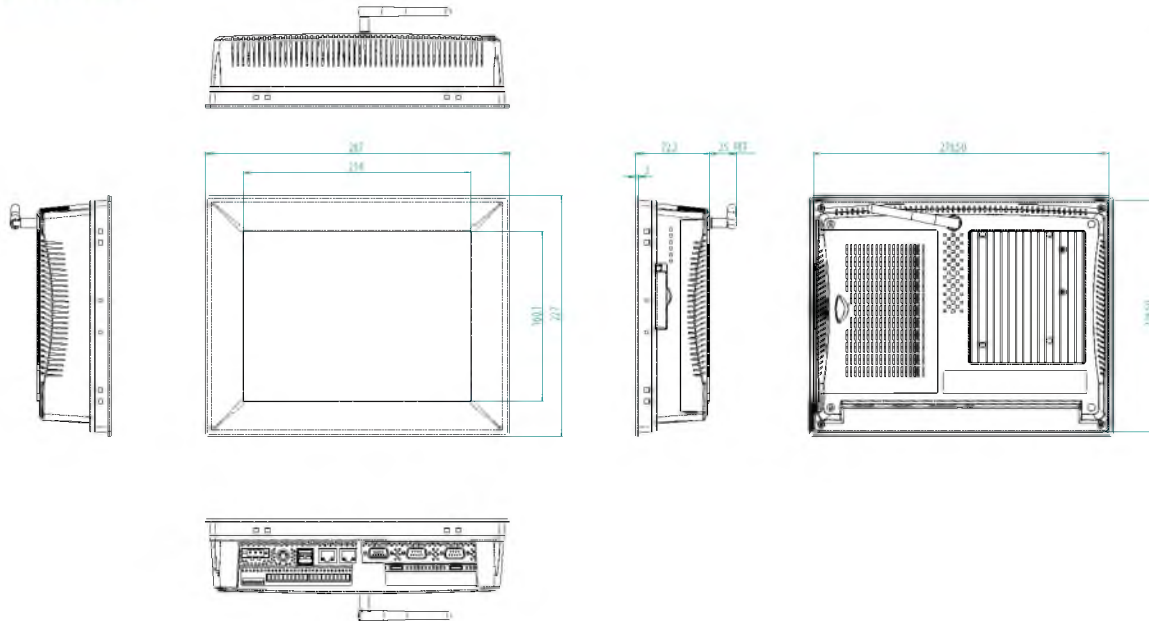
- **Humidity** 10 ~ 95% RH @ 40°C, non-condensing
- **Ingress Protection** Front panel: IP65
- **Operating Temperature** 0 ~ 50°C (32 ~ 122°F)
- **Storage Temperature** -20 ~ 60°C (-4 ~ 140°F)
- **Vibration Protection** With HDD: 1 Grms (5 ~ 500 Hz) (Operating, random vibration)

Profibus DP Master (TPC-1071HPB only)

- **Controller** Hilscher NETX 100/ML
- **Connector** DB9 x 1
- **DP Slaves** Max. 125
- **Total Cyclic Input/Output Data** Max. 5712 bytes / Max. 5760 bytes

Dimensions

Unit: mm



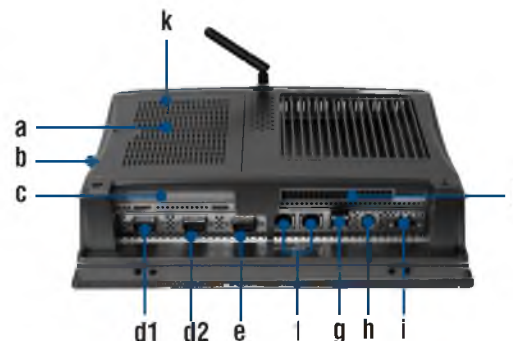
Panel Cut-out Dimensions: 279.5±0.5x219.5±0.5mm (11.18" x 8.76")

- | | |
|-----------------------------------|--|
| ▪ Cyclic Input/Output Data | Max. 244 bytes/slave |
| ▪ Configuration Data | Max. 244 bytes per slave |
| ▪ Standard Parameters | 7 bytes/slave |
| ▪ Application-specific Parameters | Max. 237 bytes/slave |
| ▪ Acyclic communication | DP V1 Class 1 Read/Write
DP V1 Class 1 Alarm
DP V1 Class 2 Initiate/Read/Write/
Datatransport/Abort |
| ▪ Acyclic read/write | 240 bytes/slave |
| ▪ Baud rate | 9.6kBits/s – 12MBits/s |

CANopen (TPC-1071HCA model only)

- | | |
|---------------------|-------------------|
| ▪ Controller | NXP SJA1000 |
| ▪ Connector | DB9 x 2 |
| ▪ Transceiver | TJA1042 |
| ▪ Protocol | CAN2.0 A/B |
| ▪ Speed | 1Mbps |
| ▪ Signal Support | CAN_H, CAN_L, GND |
| ▪ Interrupt Support | Legacy INT, MSI |

Rear View



- | | |
|-----------------------|----------------------|
| a. HDD | f. LAN (10/100/1000) |
| b. CompactFlash | g. USB 2.0 |
| c. PCI-E slot | h. PS/2 |
| d1. COM3 (RS-422/485) | i. Power Receptor |
| d2. COM2 (RS-232) | j. DI/O ports |
| e. COM1 (RS-232) | k. Mini PCI-E slot |

Ordering Information

- | | |
|--------------------|--|
| ▪ TPC-1071H-D3AE | 10.4" SVGA Touch Panel PC, D525 1.8 GHz, 4GB |
| ▪ TPC-1071HPB-D3AE | TPC-1071H-D3AE with PCM-2671PB Profibus Card |
| ▪ TPC-1071HCA-D3AE | TPC-1071H-D3AE with PCM-2680 CANopen Card |

Accessories

- | | |
|------------------|---|
| ▪ TPC-1000H-WMKE | TPC series wallmount kit from 10" to 17" |
| ▪ TPC-1000H-SMKE | TPC series stand kit from 10" to 17" |
| ▪ 1757003463 | 100-240V _{AC} to 19V _{DC} 90W Power Adapter |
| ▪ 1700001524 | Power Cord 3P UL 10A 125V 1.8M |

- | | |
|------------------|---|
| ▪ PWR-247-AE 50W | DC 24V/2.3A Output Power Supply |
| ▪ 1702002605 | Power cable EU Plug 1.8M |
| ▪ 1702031801 | Power cable UK Plug 1.8M |
| ▪ 1702031836 | Power cable China/Australia Plug 1.8M |
| ▪ EWM-W139F01E | 802.11 b/g/n, RT5390, 1T1R, Full-size Mini-PCle |
| ▪ 1750000318 | EMI Antenna 2DBI 2.4GHz SMA CONN for ARK-3384 |
| ▪ 1750003222 | 802.11b/g 5dBi Dipole Antenna |
| ▪ 1750003418 | Wireless Antenna AN2400-5901RS R/P SMA.M9dB |

* VESA support via a wall mounting kit

TPC-1271H TPC-1271HPB TPC-1271HCA

12.1" SVGA TFT LED LCD Intel® Atom™
Dual-Core D525 Touch Panel Computer

NEW



Features

- Intel® Atom™ D525 1.8 GHz processor
- 12.1" SVGA TFT LED LCD
- Compact design with die-cast Al alloy front bezel
- Fanless cooling system
- IP65 approved front panel
- PCIe and Mini PCIe expansion support
- 8 DI/O and backup SRAM support
- Supports DDR3 SDRAM
- Serial port isolation protection
- Automatic data flow control RS-485
- Gigabit Ethernet supported
- Supports Microsoft® WES7/XP/WES/WinCE
- Supports external antenna for wireless communication
- Supports field-bus communication for PLC connectivity

Introduction

With a high quality TFT LCD display, TPC-1271H range are designed with the Intel® Atom™ D525 processor as its core. The Intel® Atom™ has low power consumption and 1.8 GHz operating frequency. This system is fanless although the kernel is powerful. In addition, spindle-free storage makes the TPC-1271H models durable and reliable platforms. For applications where spindle-free storage is not critical, a fast-access HDD module can be used. The rich I/O portfolio meets diverse requests.

Specifications

General

- **BIOS** AMI 8Mbit
- **Certifications** BSMI, CCC, CE, FCC Class A, UL
- **Cooling System** Fanless design
- **Dimensions (W x H x D)** 311 x 237 x 71.6 mm (12.24" x 9.33" x 2.82")
- **Enclosure** Front bezel: Die-cast Aluminum alloy
Back housing: PC/ABS Resin
- **Mounting** Desktop, Wall or Panel Mount
- **OS Support** Microsoft® WES7/Win7 32/64bit/XP/WES/
WinCE5.0/6.0
- **Power Consumption** 20W (typical)
- **Power Input** 10-29 V_{DC}
- **Watchdog Timer** 1 ~ 255 sec (system)
- **Weight (Net)** 4.57 kg (10.07 lbs)

System Hardware

- **CPU** Intel® Atom™ D525 1.8 GHz with 1MB cache
- **Chipset** ICH8M
- **Memory** 4GB SO-DIMM DDR3 SDRAM
- **LAN** 10/100/1000Base-T x 2
- **Expansion Slots** Half-size PCI-E or full-size Mini PCI-E
- **Storage** CompactFlash® slot x 1
2.5" SATA HDD x 1 (Optional)
- **I/O** RS-232 x 2 (COM1, 2) with isolation
RS-422/485 x 1 (COM3) with isolation and auto data
flow control
USB 2.0 x 2 (Host)
PS/2 x 1
- **DI/DO & backup SRAM** 8 x DI/DO with isolation and backup 1MB SRAM

LCD Display

- **Display Type** SVGA TFT LED LCD
- **Display Size** 12.1"
- **Max. Resolution** 800 x 600
- **Max. Colors** 262 K
- **Luminance cd/m²** 450
- **Viewing Angle (H/V°)** 160/140
- **Backlight Life** 50,000 hrs
- **Contrast Ratio** 700:1

Touchscreen

- **Lifespan** 10 million touches at single point
- **Light Transmission** Above 75%
- **Resolution** Linearity
- **Type** 5-wire, analog resistive

Environment

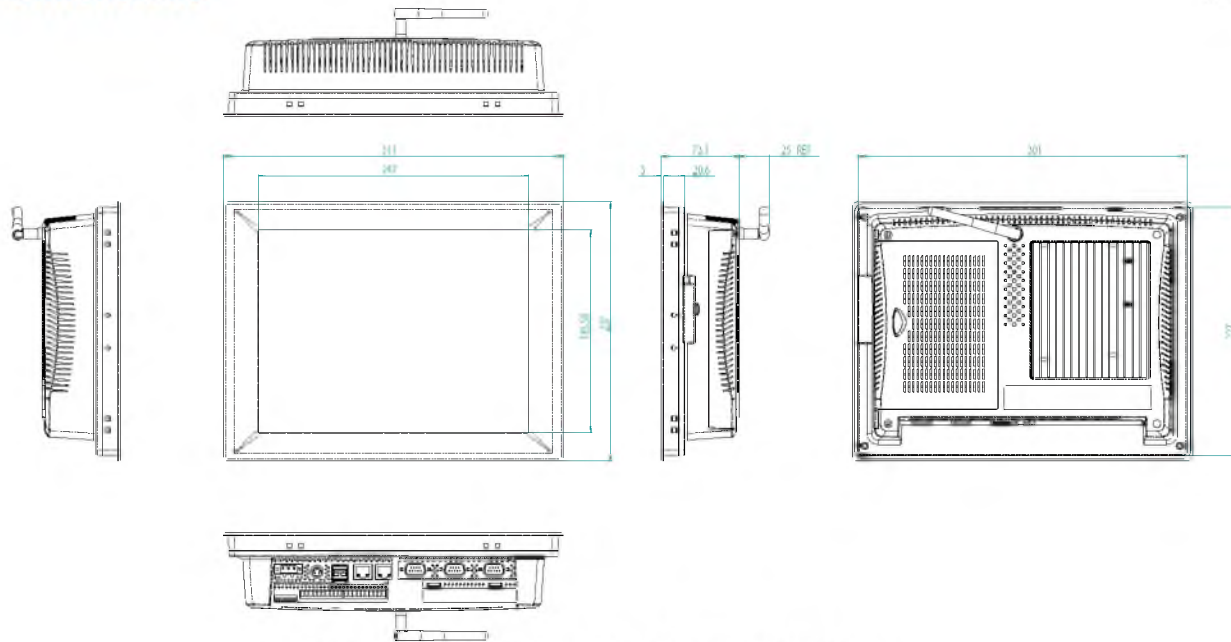
- **Humidity** 10 ~ 95% RH @ 40°C, non-condensing
- **Ingress Protection** Front panel: IP65
- **Operating Temperature** 0 ~ 50°C (32 ~ 122°F)
- **Storage Temperature** -20 ~ 60°C (-4 ~ 140°F)
- **Vibration Protection** With HDD: 1 Grms (5 ~ 500 Hz)
(Operating, random vibration)

Profibus DP Master (TPC-1271HPB only)

- **Controller** Hilscher NETX 100/ML
- **Connector** DB9 x 1
- **DP Slaves** Max. 125
- **Total Cyclic Input/Output Data** Max. 5712 bytes / Max. 5760 bytes

Dimensions

Unit: mm



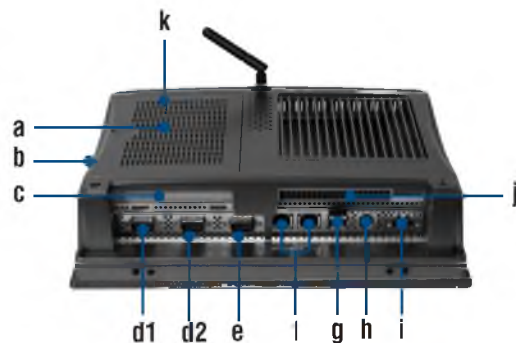
Panel Cut-out Dimensions: 302 x 228 mm (12.08" x 9.12")

- | | |
|-----------------------------------|--|
| ▪ Cyclic Input/Output Data | Max. 244 bytes/slave |
| ▪ Configuration Data | Max. 244 bytes per slave |
| ▪ Standard Parameters | 7 bytes/slave |
| ▪ Application-specific Parameters | Max. 237 bytes/slave |
| ▪ Acyclic communication | DP V1 Class 1 Read/Write
DP V1 Class 1 Alarm
DP V1 Class 2 Initiate/Read/Write/
Datatransport/Abort |
| ▪ Acyclic read/write | 240 bytes/slave |
| ▪ Baud rate | 9.6kBits/s – 12MBits/s |

CANopen (TPC-1271HCA model only)

- | | |
|---------------------|-------------------|
| ▪ Controller | NXP SJA1000 |
| ▪ Connector | DB9 x 2 |
| ▪ Transceiver | NXP 82C251 |
| ▪ Protocol | CAN2.0 A/B |
| ▪ Speed | 1Mbps |
| ▪ Signal Support | CAN_H, CAN_L, GND |
| ▪ Interrupt Support | Legacy INT, MSI |

Rear View



- | | |
|-----------------------|----------------------|
| a. HDD | f. LAN (10/100/1000) |
| b. CompactFlash | g. USB 2.0 |
| c. PCI-E slot | h. PS/2 |
| d1. COM3 (RS-422/485) | i. Power Receptor |
| d2. COM2 (RS-232) | j. DI/O ports |
| e. COM1 (RS-232) | k. Mini PCI-E slot |

Ordering Information

- | | |
|--------------------|--|
| ▪ TPC-1271H-D3AE | 12.1" SVGA Touch Panel PC, D525 1.8 GHz, 4GB |
| ▪ TPC-1271HPB-D3AE | TPC-1271H-D3AE with PCM-2671PB Profibus Card |
| ▪ TPC-1271HCA-D3AE | TPC-1271H-D3AE with PCM-2680 CANopen Card |

Accessories

- | | |
|------------------|---|
| ▪ TPC-1000H-WMKE | TPC series wallmount kit from 10" to 17" |
| ▪ TPC-1000H-SMKE | TPC series stand kit from 10" to 17" |
| ▪ 1757003463 | 100-240V _{AC} to 19V _{DC} 90W Power Adapter |
| ▪ 1700001524 | Power Cord 3P UL 10A 125V 1.8M |

- | | |
|------------------|---|
| ▪ PWR-247-AE 50W | DC 24V/2.3A Output Power Supply |
| ▪ 1702002605 | Power cable EU Plug 1.8M |
| ▪ 1702031801 | Power cable UK Plug 1.8M |
| ▪ 1702031836 | Power cable China/Australia Plug 1.8M |
| ▪ EWM-W139F01E | 802.11 b/g/n, RT5390, 1T1R, Full-size Mini-PCle |
| ▪ 1750000318 | EMI Antenna 2DBI 2.4GHz SMA CONN for ARK-3384 |
| ▪ 1750003222 | 802.11b/g 5dBi Dipole Antenna |
| ▪ 1750003418 | Wireless Antenna AN2400-5901RS R/P SMA.M9dB |

* VESA support via a wall mounting kit

TPC-1251H

12.1" SVGA TFT LCD Intel® Atom™
Touch Panel Computer with
Wide Operating Temperature

NEW



Features

- Intel® Atom™ processor (up to 1.33 GHz)
- 12.1" SVGA TFT LCD
- -20 ~ 60° C wide operating temperature
- Compact design with die-cast Al alloy front bezel
- Fanless cooling system
- NEMA4/IP65 compliant front panel
- Supports Microsoft® Windows XP/XPe/CE
- Dual Gigabit Ethernet supported
- Isolation Protection for Serial ports
- Energy Star approval
- Sunlight Readable Monitor

Introduction

With a high quality TPC product line, TPC extends its Touch Panel Computer family with Intel® Atom™ platform for 5.7", 12.1" & 15". TPC-1251H is designed with Intel® Atom™ eMenlow XL processor as its core. The Intel Atom has low power consumption and wide operating temperature. This system is fanless, slim design and the front bezel is die-cast Al alloy material. This product also provides a -20~60° C wide operating temperature solution and complete isolation protection for its serial ports. TPC-1251H series are designed for use in the most demanding indoor or outdoor applications.

Specifications

General

- **BIOS** Award® 4 MB
- **Certifications** BSMI, CCC, CE, FCC, UL
- **Cooling System** Fanless design
- **Dimensions (W x H x D)** 311 x 237 x 54 mm (12.24" x 9.33" x 2.12")
- **Enclosure** Front bezel: Die-cast Aluminum alloy
Back housing: SECC
- **Mounting** Desktop, Wall or Panel Mount
- **OS Support** Windows XP/XPe/CE
Linux
- **Power Consumption** 30 W (typical)
- **Power Input** 18 ~ 32 V_{DC}
- **Watchdog Timer** 1 ~ 255 sec (system)
- **Weight (Net)** 2.5 kg

System Hardware

- **CPU** Intel Atom 1.33 GHz
- **Chipset** eMenlow XL + Poulsbo
- **Memory** 1GB SO-DIMM DDR2 667 SDRAM
Up to 2GB (One channel)
- **LAN** 10/100/1000Base-T x 2
- **Storage** CompactFlash® slot x 1
- **I/O** RS-232 x 1 (with isolation)
RS-422/485 x 1 (with isolation)
USB 2.0 x 2 (Host)

LCD Display

- **Display Type** SVGA TFT LCD
- **Display Size** 12.1"
- **Max. Resolution** 800 x 600
- **Max. Colors** 262 K
- **Luminance cd/m²** 450
- **Viewing Angle (H/V°)** 160/140
- **Backlight Life** 50,000 hrs
- **Contrast Ratio** 700 : 1

Touchscreen

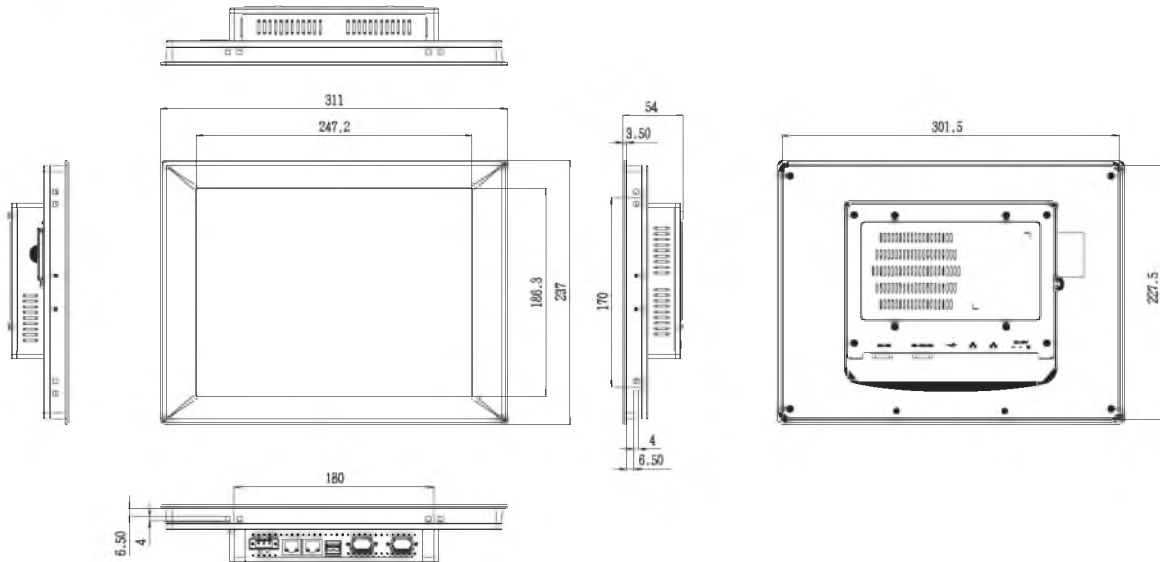
- **Lifespan** 1 million touches at single point
- **Light Transmission** Above 75%
- **Resolution** Linearity
- **Type** 5-wire, analog resistive

Environment

- **Humidity** 10 ~ 95% RH @ 40° C, non-condensing
- **Ingress Protection** Front panel: NEMA4, IP65
- **Operating Temperature** -20 ~ 60° C (-4 ~ 140° F)
- **Storage Temperature** -20 ~ 60° C (-4 ~ 140° F)
- **Vibration Protection** 2 Grms (5 ~ 500 Hz)
(Operating, random vibration)

Dimensions

Unit: mm

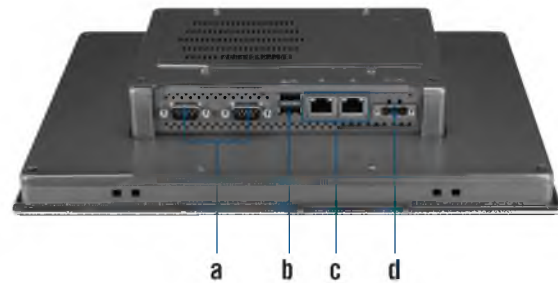


Panel Cut-out Dimensions: 302.5 x 228.5 mm

Ordering Information

- **TPC-1251H-Z2AE** 12" SVGA Touch Panel PC, Atom Z520 1.33 GHz, 1 GB
- **PWR-247-AE** 24 V 50 W AC-DC Power Adapter

Rear View



- a. COM (RS-232; RS-422/485)
- b. USB 2.0
- c. LAN (10/100/1000)
- d. Power Receptor

TPC-31T TPC-61T

3.5"/5.7" QVGA TFT LED LCD TI Cortex-A8 Touch Panel Computer



Features

- TI Cortex-A8 processor on board
- 3.5"/5.7" QVGA TFT LED LCD
- Super slim and compact design with plastic housing
- Fanless cooling system
- IP65 compliant front panel
- Built-in micro SD card with Windows® CE OS
- 1 x SD card slot
- Automatic data flow control RS-485
- Supports 1Mbit FRAM for data back-up

Introduction

The TPC-31T/61T model is a compact platform without redundant functions, and has been designed for small-sized operator interface applications. It has a 3.5"/5.7" TFT LCD display which is a cost effective choice for a limited budget. Its RISC kernel, the TI Cortex-A8 processor consumes minimum power without sacrificing performance. The TPC-31T/61T has a 10/100Base-T Ethernet port offering solid communication ability and comes bundled with a Windows® CE OS that supports Thin-Client solutions. The built-in Windows CE OS platform lets the TPC-31T/61T become an Open HMI solution for system integration.

Specifications

General

- **Certification** CE, BSMI, CCC, UL, FCC Class A
- **Cooling System** Fanless design
- **Dimensions (W x H x D)** TPC-31T: 120.79 x 85.5 x 26.5 mm (4.76" x 3.37" x 1.04")
TPC-61T: 195 x 148 x 44.4 mm (7.68" x 5.83" x 1.75")
- **Enclosure** TPC-31T: ABS
TPC-61T: PC/ABS Resin
- **Mounting** Panel
- **OS Support** Windows CE 6.0
- **Power Consumption** 8 W/12 W (typical)
- **Power Input** 18 ~ 32 V_{DC}
- **Watchdog Timer** Programmable as 250 ms, 500 ms, 1 second
- **Weight (Net)** 0.25 kg (0.55 lbs)/0.8 kg (1.76 lb)

System Hardware

- **CPU** TI Cortex-A8 600MHz
- **Memory** DDR2 256MB on board
- **LAN** 10/100Base-T x 1
- **Storage** 512MB on board micro SD card
1 x SD Card slot
1Mbit FRAM for Data back-up
- **I/O** TPC-31T: RS-232/RS-485 X1 with auto data flow control, USB 2.0(Host) x 1
TPC-61T: RS-232 x 2 (COM1,2) RS-422/RS-485 x 1 (COM 3) with auto data flow control, USB2.0 (Host) x 1, USB2.0 (Client) x 1

LCD Display

- **Display Type** QVGA TFT LED LCD
- **Display Size** 3.5"/5.7"
- **Max. Resolution** 320 x 240
- **Max. Colors** 64 K
- **Luminance cd/m²** 450/800
- **Viewing Angle (H/V)** 160/140
- **Backlight Life** 30,000/50,000 hrs
- **Contrast Ratio** 300:1/800:1

Touchscreen

- **Lifespan** 1 million times with an 8mm diameter finger of silicone rubber
- **Light** Transmission Above 80%
- **Resolution** Linearity
- **Type** 4-wire, analog resistive

Environment

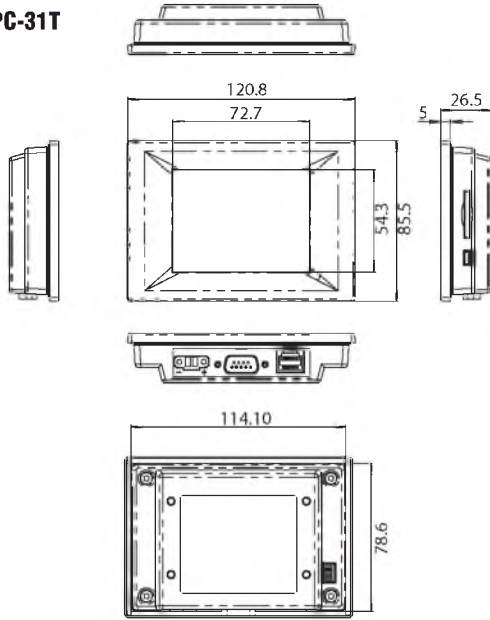
- **Humidity** 10 ~ 95% RH @ 40°C, non-condensing
- **Ingress Protection** Front panel: IP65
- **Operating Temperature** 0 ~ 50°C (32 ~ 122°F)
- **Storage Temperature** -20 ~ 60°C (-4 ~ 140°F)
- **Vibration Protection** 2 Grms (5 ~ 500 Hz) (Operating, random vibration)

Ordering Information

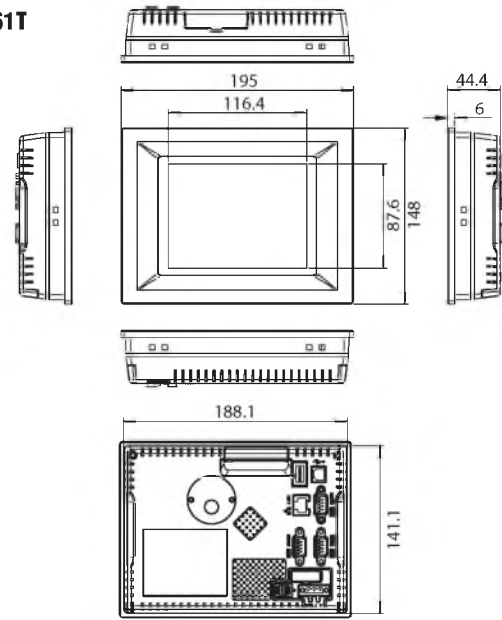
- **TPC-31T-E3AE** 3.5" QVGA Touch Panel PC, TI AM3517 600 MHz, 256 MB with WinCE 6.0
- **TPC-61T-E3AE** 5.7" QVGA Touch Panel PC TI AM3517 600 MHz, 256 MB with WinCE 6.0

Dimensions

TPC-31T



TPC-61T



Unit: mm

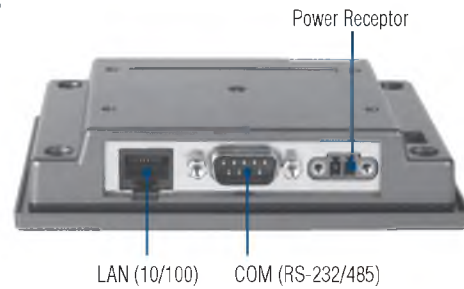
**Panel Cut-out Dimensions: TPC-31T: 115 x 79.5 mm (4.6" x 3.18")
TPC-61T: 189 x 142 mm (7.56" x 5.68")**

Accessories

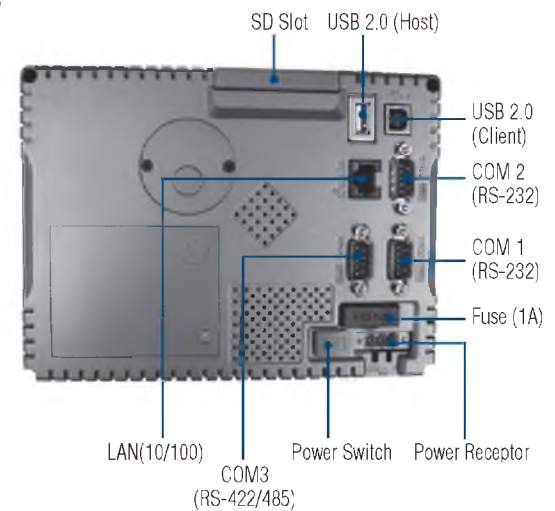
- PWR-247-BE 63W DC 24V/2.62A Output Power Supply
- 1702002600 Power Cable US Plug 1.8 M
- 1702002605 Power Cable EU Plug 1.8 M
- 1702031801 Power Cable UK Plug 1.8 M
- 1700000596 Power Cable China/Australia Plug 1.8 M

Rear View

TPC-31T



TPC-61T



TPC-1251SR TPC-1551SR

12.1" SVGA / 15" XGA High Brightness LCD Intel® Atom™ Touch Panel Computers



Features

- Intel® Atom™ processor (up to 1.33 GHz)
- 12.1" SVGA / 15" XGA High Brightness LED backlight
- -20 ~ 60°C wide operating temperature range
- Compact design with die-cast Al alloy front bezel
- Fanless cooling system
- IP65 compliant front panel
- Supports Microsoft® Windows WES7/XP/XPe/CE
- Dual Gigabit Ethernet supported
- Isolation Protection for Serial ports
- Energy Star approval

Introduction

For sunlight readable applications, the TPC extends its Touch Panel Computer range with a high brightness and optical bonding solution. The LCD display provides a 1000 nits solution. Optical bonding enhances its readability by providing a reflection rate of under 0.2%. The TPC-1251SR/1551SR making it perfect for outdoor applications.

Specifications

General

- **BIOS** Award® 4 MB
- **Certification** BSMI, CCC, CE, FCC Class A, UL
- **Cooling System** Fanless design
- **Dimensions (W x H x D)** 1251SR: 311 x 237 x 54 mm (12.24" x 9.33" x 2.12")
1551SR: 383 x 307 x 58.1 mm (15.08" x 12.09" x 2.29")
- **Enclosure** 1251H /1551H Front bezel: Die-cast Aluminum alloy
Back housing: SECC
- **Mounting** Desktop, Wall or Panel Mount
- **OS Support** Windows XP/WES7/XPe/CE/Linux
- **Power Consumption** 35 W / 40 W (typical)
- **Power Input** 18 ~ 32 V_{DC}
- **Watchdog Timer** 1 ~ 255 sec (system)
- **Weight (Net)** 2.5 kg (5.51 lb) / 3 kg (5.51 lb)

System Hardware

- **CPU** Intel Atom 1.33 GHz with 512KB cache
- **Chipset** eMenlow XL + Poulsbo
- **Memory** 1GB SO-DIMM DDR2 667 SDRAM
LAN 10/100/1000Base-T x 2
- **Storage** CompactFlash® slot x 1
- **I/O** RS-232 x 1 (with isolation)
RS-422/485 x 1 (with isolation)
USB 2.0 x 2 (Host)

LCD Display

- **Display Type** SVGA / XGA TFT LED LCD
- **Display Size** 12.1" / 15"
- **Max. Resolution** 800 x 600 / 1024 x 768
- **Max. Colors** 262 K
- **Luminance cd/m²** 1000
- **Viewing Angle (H/V°)** 110/160, 120/140
- **Backlight Life** 50,000 hrs
- **Contrast Ratio** 600:1 / 1100:1

Touchscreen

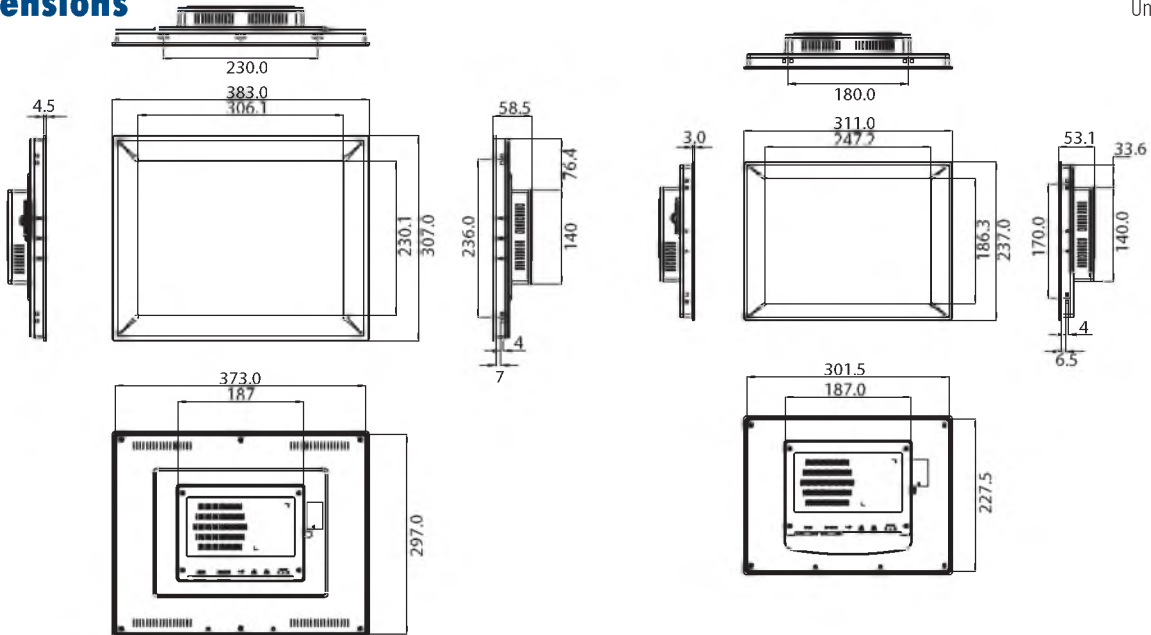
- **Lifespan** 10 million touches at single point
- **Light Transmission** Above 75%
- **Resolution** Linearity
- **Type** 5-wire, analog resistive

Environment

- **Humidity** 10 ~ 95% RH @ 40°C, non-condensing
- **Ingress Protection** Front panel: IP65
- **Operating Temperature** -20 ~ 60°C (-4 ~ 140°F)
- **Storage Temperature** -30 ~ 80°C (-22 ~ 176°F)
- **Vibration Protection** 2 Grms (5 ~ 500 Hz)
(Operating, random vibration)

Dimensions

Unit: mm



Panel Cut-out Dimensions: TPC-1251SR: 302.5 x 228.5 mm
 TPC-1551SR: 374.5 x 298.5 mm

Ordering Information

- **TPC-1251SR-Z2AE** 12.1" Sunlight Readable Touch Panel PC, Atom 1.33GHz, 1GB
- **TPC-1551SR-Z2AE** 15" Sunlight Readable Touch Panel PC, Atom 1.33GHz, 1GB

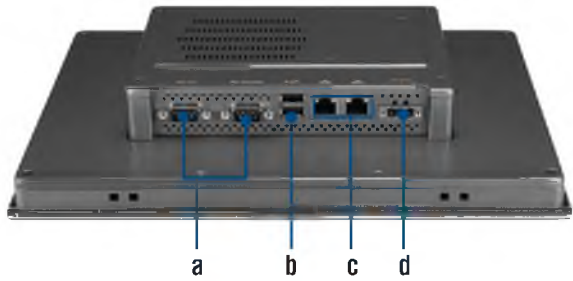
Accessories

- **TPC-1570H-SMKE** TPC-1551SR Desktop Stand
- **TPC-1250H-SMKE** TPC-1251SR Desktop Stand
- **TPC-1570H-WMKE** TPC-1551SR Wallmount Kit
- **TPC-1250H-WMKE** TPC-1251SR Wallmount Kit
- **TPC-651H-EHKE** TPC-651H/1251H/1551H Extension HDD Kit
- **PWR-247-AE** 24 V 50 W AC-DC Power Adapter
- **1702002600** Power Cord 3P UL/CSA(USA) 125V 10A 1.83M

* Stand and Wall mount kits not compatible with HDD extension kit.

Rear View

TPC-1251SR/1551SR



TPC-1551T

15" XGA TFT LED LCD Intel® Atom™ Thin Client Terminal

NEW



Features

- Industrial 15" XGA TFT LCD with 50K Lifetime LED Backlight
- Intel® Atom™ E3827 1.75 GHz Processor with 4GB (8GB optional) DDR3L SDRAM
- Support wide operating temperatures -20~60°C
- Compact Fanless Embedded System with Al Alloy Front Bezel
- True-flat with IP66 / non-flat with IP65 certified front panel protection
- Durable 5-wire Resistive Touch Screen
- Full-size Mini PCIe Expansion Support
- Supports iDoor technology for diverse applications (optional accessory required)
- Chassis Grounding Protection
- Support USB 3.0

Introduction

The TPC-1551T thin client terminal with a 15" XGA LCD, low power embedded Intel® Atom™ E3827 1.75 GHz Processor and 4GB (8GB optional) DDR3L SDRAM provides computing performance in a compact fanless system. To enhance its durability, the TPC-1551T is true-flat touch screen designed with IP66 front protection, die-cast Al Alloy front bezel and 5-wire resistive touch. It supports wide operating temperatures -20~60°C and includes full size mini-PCIe slot to extend the functionality and meet a variety of automation applications needs. Through the Mini-PCIe slot, Advantech iDoor technology (optional) can provide more I/O connectors, Isolated Digital IO, the Fieldbus Protocol, 3G/GPS/GPRS/WiFi Communication and Battery-backup MRAM.

Specifications

General

- BIOS** AMI UEFI
- Certification** BSMI, CCC, CE, FCC Class A, UL
- Cooling System** Fanless design
- Dimensions (W x H x D)** 383.20 x 307.30 x 61.10 mm (15.09" x 12.10" x 2.41")
- Enclosure** Front bezel: Die-cast Aluminum alloy
Back housing: SECC
- Mounting** Desktop, Wall or Panel Mount
- OS Support** Microsoft® Windows WES7 32bit/64bit / WE8S 64bit / Windows 7 32bit/64bit / Windows 8 64bit / Linux Kernel 3.x
- Power Consumption** 18 W (typical)
- Power Input** 24 V_{DC} +/- 20%
- Watchdog Timer** 1 ~ 255 sec (system)
- Weight (Net)** 3.9 KG

System Hardware

- CPU** Intel® Atom™ E3827 1.75 GHz Processor
- Memory** 4GB (8GB optional) DDR3L 1600MHz SO-DIMM SDRAM
- LAN** 10/100/1000 Base-T x 2
- Expansion Slots** Full-size Mini PCI-E
- Storage** CFast slot x 1
2.5" SATA SSD slot x 1 (optional)
- I/O** RS-232 x 1, RS-232/422/485 x 1
USB 3.0 x 1
USB 2.0 x 1

LCD Display

- Display Type** XGA TFT LED LCD
- Display Size** 15"
- Max. Resolution** 1024 x 768
- Max. Colors** 16.7 M
- Luminance cd/m²** 400
- Viewing Angle (H/V°)** 160/140
- Backlight Life** 50,000 hrs
- Contrast Ratio** 700:1

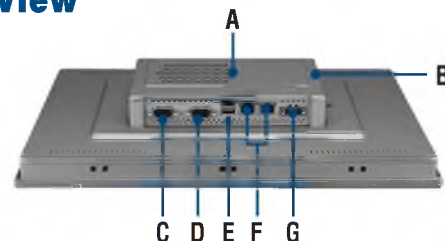
Touchscreen

- Lifespan** 36 million touches at single point
- Light Transmission** Above 75%
- Resolution** Linearity
- Type** 5-wire, analog resistive

Environment

- Humidity** 10 ~ 95% RH @ 40°C, non-condensing
- Ingress Protection** Front panel: IP66
- Operating Temperature** -20 ~ 60°C (-4 ~ 140°F)
- Storage Temperature** -30 ~ 70°C (-22 ~ 158°F)
- Vibration Protection** With CFast: 2 Grms (5~500 Hz)
With HDD: 1 Grms (5 ~ 500 Hz)
(Operating, random vibration)

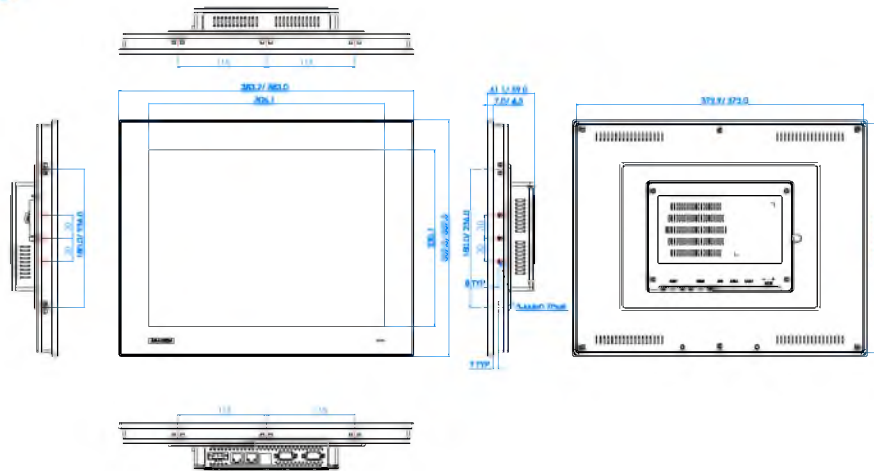
Rear View



- A. External HDD/iDoor kit (TPC-1251T-EHKE) (Optional)
- B. CFast
- C. RS-232
- D. RS-232/422/485
- E. USB 3.0 & 2.0
- F. LAN (10/100/1000)
- G. Power Receptor

Dimensions

Unit: mm



TPC-1551T Panel Cut-out Dimensions: 374.5 x 298.5 mm (14.74" x 11.75")

Ordering Information

- TPC-1551T-E3AE 15" XGA Panel PC, Intel® Atom™ E3827 1.75 GHz Processor, 4GB (True-flat touch screen)

Accessories

- PWR-247-BE 63W DC 24V/2.62A Output Power Supply
- TPC-1251T-EHKE HDD and iDoor extension kit
- 1702002600 Power Cable US Plug 1.8 M
- 1702002605 Power Cable EU Plug 1.8 M
- 1702031801 Power Cable UK Plug 1.8 M
- 1700000596 Power Cable China/Australia Plug 1.8 M
- TPC-1000H-WMKE TPC VESA Mounting Kit from 10" to 17" TPC
- TPC-1000H-SMKE TPC Stand kit from 10" to 17" TPC





Automation Software

- 968WEXP003X PanelExpress V2.0 300 tags S/W license
- 968WEXP015X PanelExpress V2.0 1500 tags S/W license
- 968WEXP050X PanelExpress V2.0 5000 tags S/W license
- 968WEXP2USB PanelExpress V2.0 S/W USB dongle

iDoor Modules (TPC-1251T-EHKE is required for iDoor modules)

- PCM-26D2CA SJA1000 CANBus, CANOpen, DB9 x 2
- PCM-26D1PB Hilscher netX100 FieldBus, ProfiBus, DB9 x 1
- PCM-27D24DI Digital I/O, 16 DI / 8 DO, Isolation, DB37 x 1
- PCM-24D2R4 OXPcie-952 UART, Isolated RS-422/485, DB9 x 2
- PCM-24D2R2 OXPcie-952 UART, Isolated RS-232, DB9 x 2
- PCM-24R2GL 2 Port Giga LAN Intel i350 PCIe mini card
- PCM-24R1TP Intel 82574L, GbE, IEEE 1588 PTP, RJ45 x 1
- PCM-24S2WF 802.11 a/b/g/n 2T2R w/ BT4.0, Atheros AR9462

Application Software

	<p>Version : V2.1 or above</p> <p>An innovative remote device management software, allowing efficient remote monitoring, quick recovery & backup, and real-time remote configuration, to create a more intelligent and interconnected embedded computing solution.</p>
	<p>Version : V7.1 or above</p> <p>WebAccess, as the core of Advantech's IoT solution, is full web browser-based software package for HMI and SCADA software. All HMI and SCADA software features including: Animated Graphics Displays, Real-time Data, Control, Trends, Alarms and Logs, are available in a standard web browser. WebAccess is built around the latest internet technologies. With its open architecture, vertical domain applications can easily be integrated.</p>
	<p>Version : V2.0.3.8 or above</p> <p>Panel Express, a windows based HMI mini SCADA, realizes the cross platform flexibility offered by WebOP Designer to switch hardware for the consideration of cost and performance become an easy job. Panel Express software provides the best economic and express solution for data intensive high-end HMI applications.</p>
	<p>Version : V2.0.3.8 or above</p> <p>An easy to use integrated development tool featuring solution-oriented screen objects, high-end graphics, Windows fonts for multi-language applications. WebOP runtime, a part of WebOP Designer, guarantees reliability and performance because of the minimum system overhead, high communication data rates, and sub-second screen switching.</p>

TPC-1571H

15" XGA TFT LED LCD Intel® Atom™ Dual-Core D525 Touch Panel Computer



Features

- Intel® Atom™ D525 1.8 GHz processor
- 15" XGA TFT LED LCD
- Compact design with die-cast Al alloy front bezel
- Fanless cooling system
- IP65 approved front panel
- PCIe and Mini PCIe expansion support
- Supports 4 GB DDR3 SDRAM
- Integrated 16-channel Digital I/O with isolation
- 1 MB Battery-backed SRAM
- Serial port isolation protection
- Supports Microsoft® WES7/XP/WES/WinCE
- Supports external antenna for wireless communication
- Supports field-bus communication for PLC connectivity

Introduction

The TPC-1571H features a fanless low power consuming Intel® Atom™ Dual Core 1.8GHz processor 4GB DDR3 SDRAM and Resistive touch screen, and multiple I/O ports 2 x RS-232 with isolation, 1 x RS-422/485 with isolation. For data storage the fanless TPC devices also include: 1 x Compact Flash Slot and 1 x 2.5" SATA HDD. To expand function, this model provides PCIe and mini-PCIe expansion slots, an integrated 16-channel Digital I/O with isolation and 1MB Battery-backed SRAM.

Specifications

General

- BIOS** AMI 8Mbit
- Certification** BSMI, CCC, CE, FCC Class A, UL
- Cooling System** Fanless design
- Dimensions (W x H x D)** 383 x 307 x 78.5 mm (15.08" x 12.09" x 3.09")
- Enclosure** Front bezel: Die-cast Aluminum alloy
Back housing: PC/ABS Resin
- Mounting** Desktop, Wall or Panel Mount
- OS Support** Microsoft® Windows 7/WES7/WES 2009/XPE/CE 6.0/
Linux / Android
- Power Consumption** 21 W (typical)
- Power Input** 10-29 V_{DC}
- Watchdog Timer** 1 ~ 255 sec (system)
- Weight (Net)** 5.5 kg (12.13 lbs)

System Hardware

- CPU** Intel® Atom™ D525 1.8 GHz with 1MB cache
- Chipset** ICH8M
- Memory** 4GB SO-DIMM DDR3 SDRAM
- LAN** 10/100/1000Base-T x 2
- Expansion Slots** Half-size PCI-E or full-size Mini PCI-E
- Storage** CompactFlash® slot x 1
2.5" SATA HDD x 1 (Optional)
- I/O** RS-232 x 2 (COM1, 2) with isolation
RS-422/485 x 1 (COM3) with isolation and auto data
flow control
USB 2.0 x 2 (Host)
PS/2 x 1
- DI/DO & backup SRAM** 8 x DI/DO with isolation and backup 1MB SRAM

LCD Display

- Display Type** XGA TFT LED LCD
- Display Size** 15"
- Max. Resolution** 1024 x 768
- Max. Colors** 262 K
- Luminance cd/m²** 350
- Viewing Angle (H/V°)** 160/140
- Backlight Life** 50,000 hrs
- Contrast Ratio** 700:1

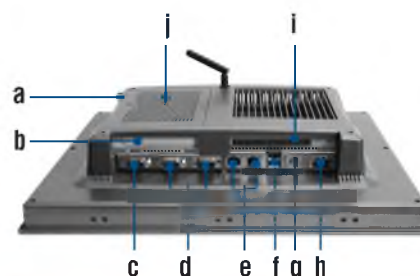
Touchscreen

- Lifespan** 36 million touches at single point
- Light Transmission** Above 75%
- Resolution** Linearity
- Type** 5-wire, analog resistive

Environment

- Humidity** 10 ~ 95% RH @ 40°C, non-condensing
- Ingress Protection** Front panel: IP65
- Operating Temperature** 0 ~ 55°C (32 ~ 131°F)
- Storage Temperature** -20 ~ 60°C (-4 ~ 140°F)
- Vibration Protection** With HDD: 1 Grms (5 ~ 500 Hz)
(Operating, random vibration)

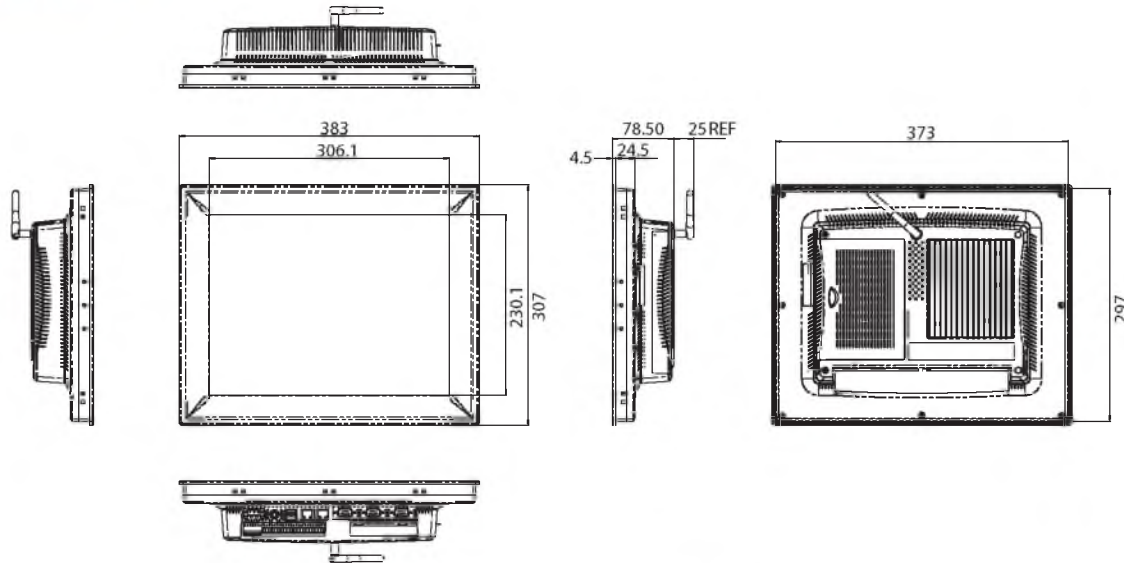
Rear View



- a. CompactFlash
- b. PCI-E slot
- c. COM (RS-422/485)
- d. COM (RS-232)
- e. LAN (10/100/1000)
- f. USB 2.0
- g. PS/2
- h. Power Receptor
- i. DI/O ports
- j. Mini PCI-E slot

Dimensions

Unit: mm



Panel Cut-out Dimensions: 374.5 x 298.5 mm (14.74" x 11.75")

Ordering Information

- TPC-1571H-D3AE 15" XGA Touch Panel PC, D525 1.8 GHz, 4GB
- WA-TPC1571 TPC-1571H-D3AE with WebAccess software

Accessories





- PWR-247-BE 63W DC 24V/2.62A Output Power Supply
- 1702002600 Power Cable US Plug 1.8 M
- 1702002605 Power Cable EU Plug 1.8 M
- 1702031801 Power Cable UK Plug 1.8 M
- 170000596 Power Cable China/Australia Plug 1.8 M
- EWM-W151H01E 802.11bgn RTL8188EE 1T1R, Half-size Mini-PCle (also need 9656EWMG00E)
- 9656EWMG00E Half-size miniPCle to Full-size miniPCle bracket set
- 175000318 EMI Antenna 2DBI 2.4GHz SMA CONN for ARK-3384
- 175003222 802.11b/g 5dBi Dipole Antenna
- 175003418 Wireless Antenna AN2400-5901RS R/P SMA.M9dB
- TPC-1000H-WMKE TPC VESA Mounting Kit from 10" to 17" TPC
- >TPC-1000H-SMKE TPC Stand kit from 10" to 17" TPC
- 175000318 EMI Antenna 2DBI 2.4GHz SMA CONN for ARK-3384
- 175003222 802.11b/g 5dBi Dipole Antenna
- 175003418 Wireless Antenna AN2400-5901RS R/P SMA.M9dB

* VESA support via a wall mounting kit

Automation Software

- 968WEXP003X PanelExpress V2.0 300 tags S/W license
- 968WEXP015X PanelExpress V2.0 1500 tags S/W license
- 968WEXP050X PanelExpress V2.0 5000 tags S/W license
- 968WEXP2USB PanelExpress V2.0 S/W USB dongle

Application Software

	<p>Version : V2.1 or above</p> <p>An innovative remote device management software, allowing efficient remote monitoring, quick recovery & backup, and real-time remote configuration, to create a more intelligent and interconnected embedded computing solution.</p>
	<p>Version : V7.1 or above</p> <p>WebAccess, as the core of Advantech's IoT solution, is full web browser-based software package for HMI and SCADA software. All HMI and SCADA software features including: Animated Graphics Displays, Real-time Data, Control, Trends, Alarms and Logs, are available in a standard web browser. WebAccess is built around the latest internet technologies. With its open architecture, vertical domain applications can easily be integrated.</p>
	<p>Version : V2.0.3.8 or above</p> <p>Panel Express, a windows based HMI mini SCADA, realizes the cross platform flexibility offered by WebOP Designer to switch hardware for the consideration of cost and performance become an easy job. Panel Express software provides the best economic and express solution for data intensive high-end HMI applications.</p>
	<p>Version : V2.0.3.8 or above</p> <p>An easy to use integrated development tool featuring solution-oriented screen objects, high-end graphics, Windows fonts for multi-language applications. WebOP runtime, a part of WebOP Designer, guarantees reliability and performance because of the minimum system overhead, high communication data rates, and sub-second screen switching.</p>

TPC-1582H

15" XGA TFT LED LCD Intel® 4th Generation Core i3 Touch Panel Computer

NEW



Features

- Industrial 15" XGA TFT LCD with 50K Lifetime LED Backlight
- Intel 4th Generation Core i3 1.7GHz with 4GB DDR3L SDRAM
- Compact Fanless Embedded System with AI Alloy Front Bezel
- IP65 Approved Front Protection & Panel Mounting
- More Durable 5-wire Resistive Touch Screen
- PCIe and Mini PCIe Expansion Support
- Diverse system IO and Isolated Digital IO by iDoor Technology
- Supports Fieldbus Protocol by iDoor Technology
- 3G/GPS/GPRS/WiFi Communication by iDoor Technology
- Supports MRAM by iDoor Technology
- Chassis Grounding Protection
- HDMI and Audio Multimedia Support
- Support Advantech SusiAccess Remote Device Management Software

Introduction

The TPC-1582H touch panel computer with a 15" XGA LCD, low power embedded Intel 4th Generation Core i3 1.7GHz processor and 4GB DDR3L SDRAM provides the high computing performance in a compact fanless system. To enhance its durability, the TPC-1582H is designed with IP65 front protection, die-cast AI Alloy front bezel and 5-wire resistive touch. It also includes PCIe slot and Mini-pcie slots to extend the functionality and meet a variety of automation applications needs. Through the Mini-PCIe slot, Advantech iDoor technology can provide more I/O connectors, Isolated Digital IO, the Fieldbus Protocol, 3G/GPS/GPRS/WiFi Communication and MRAM. A 2nd monitor and speaker can be attached via the integrated HDMI and Audio port.

The pre-loaded SusiAccess is a smart, unique and ready-to-use remote device management software for you to centralize monitoring and managing of remote embedded devices in real-time. You can focus more on your own applications and let SusiAccess do the rest - configure systems, monitor device health, and recover from any system failures. It's cloud-based and provides on-demand software services so you can easily download and upgrade applications when you need.

Specifications

General

- BIOS**: AMI UEFI
- Certification**: BSMI, CCC, CE, FCC Class A, UL
- Cooling System**: Fanless design
- Dimensions (W x H x D)**: 383 x 307 x 78.5 mm (15.08" x 12.09" x 3.09")
- Enclosure**: Front bezel: Die-cast Aluminum alloy
Back housing: PC/ABS Resin
- Mounting**: Desktop, Wall or Panel Mount
- OS Support**: Microsoft® Windows WES7 32bit/64bit / WES8 64bit / Windows 7 32bit/64bit / Windows 8 64bit Linux Kernel 3.x
- Power Consumption**: 18W Typical, 60W Max. (Without Add-on card)
- Power Input**: 24V_{DC} +/- 20%
- Watchdog Timer**: 1 - 255 sec (system)
- Weight (Net)**: 5.5 kg (12.13 lbs)

System Hardware

- CPU**: Intel 4th Generation Core i3-4010U 1.7GHz
- Chipset**: Lynx Point-LP
- Memory**: 4GB DDR3L 1600MHz SO-DIMM SDRAM
- LAN**: 10/100/1000 Base-T x 2 (one port supports iAMT)
- Expansion Slots**: Half-size PCI-E and Full-size Mini PCI-E
- Storage**: CFast slot x 1
2.5" SATA SSD slot x 1
mSATA slot x 1 (via Mini PCIe)
- I/O**: RS-232 x 1, RS-232/422/485 x 1
USB 3.0 x 2, HDMI 1.4 x 1
Audio Line out x 1, USB 2.0 x 1 (optional)
Audio MIC x 1 (optional)

LCD Display

- Display Type**: XGA TFT LED LCD
- Display Size**: 15"

- Max. Resolution**: 1024 x 768
- Max. Colors**: 16.2 M
- Luminance cd/m²**: 400
- Viewing Angle (H/V°)**: 160/140
- Backlight Life**: 50,000 hrs
- Contrast Ratio**: 700:1

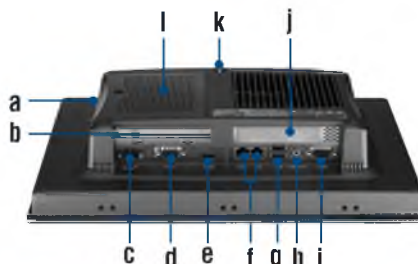
Touchscreen

- Lifespan**: 36 million touches at single point
- Light Transmission**: Above 75%
- Resolution**: Linearity
- Type**: 5-wire, analog resistive

Environment

- Humidity**: 10 ~ 95% RH @ 40°C, non-condensing
- Ingress Protection**: Front panel: IP65
- Operating Temperature**: 0 ~ 55°C (32 ~ 131°F)
- Storage Temperature**: -20 ~ 60°C (-4 ~ 140°F)
- Vibration Protection**: With HDD: 1 Grms (5 ~ 500 Hz) (Operating, random vibration)

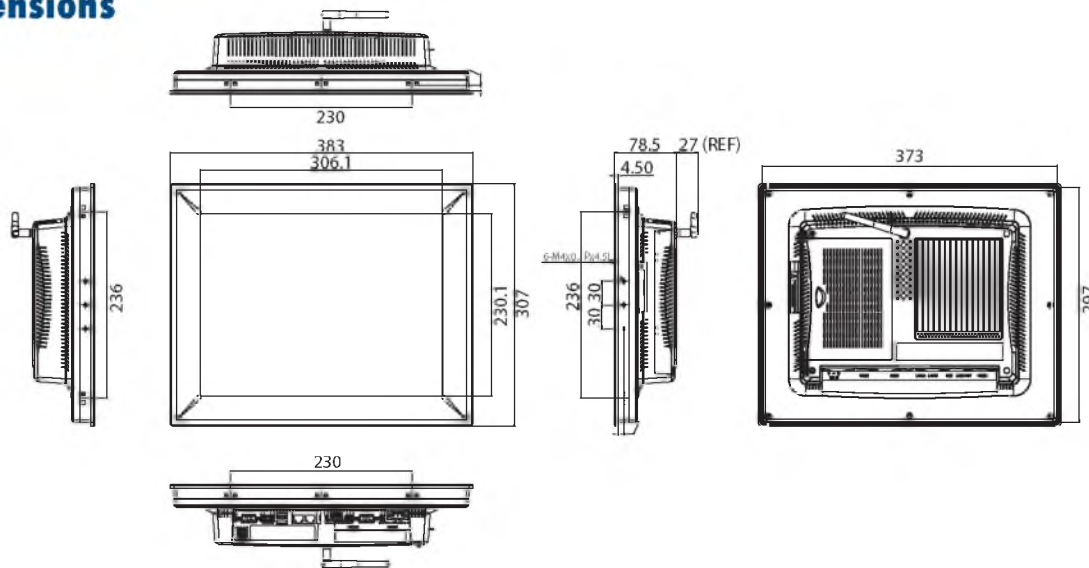
Rear View



- a. CFast
- b. PCI-E Slot
- c. 24V_{DC} Power
- d. COM (RS-232)
- e. HDMI
- f. LAN
- g. USB3.0
- h. Audio Line Out
- i. COM (RS-232/422/485)
- j. iDoor
- k. SMA Connector for Antenna
- l. 2.5" SATA SSD Slot and Mini-PCIe Slot

Dimensions

Unit: mm



Panel Cut-out Dimensions: 374.5 x 298.5 mm (14.74" x 11.75")

Ordering Information

- TPC-1582H-433AE 15" XGA Panel PC, Intel i3-4010U, 4GB, iDoor, PCIe
- WA-TPC1582H TPC-1582H-433AE with WebAccess software

Accessories

- PWR-248-AE 150W DC 24V/6.25A Output Power Supply
- 1702002600 Power Cable US Plug 1.8 M
- 1702002605 Power Cable EU Plug 1.8 M
- 1702031801 Power Cable UK Plug 1.8 M
- 1700000596 Power Cable China/Australia Plug 1.8 M
- TPC-1000H-WMKE TPC VESA Mounting Kit from 10" to 17" TPC
- TPC-1000H-SMKE TPC Stand kit from 10" to 17" TPC
- EWM-W151H01E 802.11bgn RTL8188EE 1T1R, Half-size Mini-PCIe (also need 9656EWMG00E)
- 9656EWMG00E Half-size miniPCIe to Full-size miniPCIe bracket set
- 1750000318 EMI Antenna 2DBI 2.4GHz SMA CONN for ARK-3384
- 1750003222 802.11b/g 5dBi Dipole Antenna
- 1750003418 Wireless Antenna AN2400-5901RS R/P SMA.M9dB





Automation Software

- 968WEXP003X PanelExpress V2.0 300 tags S/W license
- 968WEXP015X PanelExpress V2.0 1500 tags S/W license
- 968WEXP050X PanelExpress V2.0 5000 tags S/W license
- 968WEXP2USB PanelExpress V2.0 S/W USB dongle

iDoor Modules

- PCM-2300MR-AE MR4A16B, 2MByte
- PCM-26D1PB-AE Hilscher netX100 FieldBus, ProfiBus, DB9 x 1
- PCM-26D2CA-AE SJA1000 CANBus, CANOpen, DB9 x 1
- PCM-24D2R4-AE OXPcIe-952 UART, Isolated RS-422/485, DB9 x 2
- PCM-24D2R2-AE OXPcIe-952 UART, Isolated RS-232, DB9 x 2
- PCM-24D4R4-AE OXPcIe-954 UART, Non-Isolated RS-422/485, DB37 x 1
- PCM-24D4R2-AE OXPcIe-954, UART, Non-Isolated RS-232, DB37 x 1
- PCM-27D24DI-AE Digital I/O, 16DI / 8DO, DB37 x 1

Application Software

	<p>Version : V2.1 or above</p> <p>An innovative remote device management software, allowing efficient remote monitoring, quick recovery & backup, and real-time remote configuration, to create a more intelligent and interconnected embedded computing solution.</p>
	<p>Version : V7.1 or above</p> <p>WebAccess, as the core of Advantech's IoT solution, is full web browser-based software package for HMI and SCADA software. All HMI and SCADA software features including: Animated Graphics Displays, Real-time Data, Control, Trends, Alarms and Logs, are available in a standard web browser. WebAccess is built around the latest internet technologies. With its open architecture, vertical domain applications can easily be integrated.</p>
	<p>Version : V2.0.3.8 or above</p> <p>Panel Express, a windows based HMI mini SCADA, realizes the cross platform flexibility offered by WebOP Designer to switch hardware for the consideration of cost and performance become an easy job. Panel Express software provides the best economic and express solution for data intensive high-end HMI applications.</p>
	<p>Version : V2.0.3.8 or above</p> <p>An easy to use integrated development tool featuring solution-oriented screen objects, high-end graphics, Windows fonts for multi-language applications. WebOP runtime, a part of WebOP Designer, guarantees reliability and performance because of the minimum system overhead, high communication data rates, and sub-second screen switching.</p>

TPC-1771H

17" SXGA TFT LED LCD Intel® Atom™ Dual-Core D525 Touch Panel Computer



Features

- Intel® Atom™ D525 1.8 GHz processor
- 17" SXGA TFT LED LCD
- Compact design with die-cast Al alloy front bezel
- Fanless cooling system
- IP65 approved front panel
- PCIe and Mini PCIe expansion support
- Supports 4 GB DDR3 SDRAM
- Integrated 16-channel Digital I/O with isolation
- 1 MB Battery-backed SRAM
- Serial port isolation protection
- Supports Microsoft® WES7/XP/WES/WinCE
- Supports external antenna for wireless communication
- Supports field-bus communication for PLC connectivity

Introduction

The TPC-1771H features a fanless low power consuming Intel® Atom™ Dual Core 1.8GHz processor 4GB DDR3 SDRAM and Resistive touch screen, and multiple I/O ports 2 x RS-232 with isolation, 1 x RS-422/485 with isolation. For data storage the fanless TPC devices also include: 1 x Compact Flash Slot and 1 x 2.5" SATA HDD. To expand function, this model provides PCIe and mini-PCIe expansion slots, an integrated 16-channel Digital I/O with isolation and 1MB Battery-backed SRAM.

Specifications

General

- **BIOS** AMI 8Mbit
- **Certification** BSMI, CCC, CE, FCC Class A, UL
- **Cooling System** Fanless design
- **Dimensions (W x H x D)** 414 x 347.5 x 84 mm (16.3" x 13.68" x 3.31")
- **Enclosure** Front bezel: Die-cast Aluminum alloy
Back housing: PC/ABS Resin
- **Mounting** Desktop, Wall or Panel Mount
- **OS Support** Microsoft® Windows 7/WES7/WES 2009/XPE/CE 6.0/
Linux /Android
- **Power Consumption** 24 W (typical)
- **Power Input** 10~29 V_{DC}
- **Watchdog Timer** 1 ~ 255 sec (system)
- **Weight (Net)** 6 kg (13.23 lbs)

System Hardware

- **CPU** Intel® Atom™ D525 1.8 GHz with 1MB cache
- **Chipset** ICH8M
- **Memory** 4GB SO-DIMM DDR3 SDRAM
- **LAN** 10/100/1000Base-T x 2
- **Expansion Slots** Half-size PCI-E or full-size Mini PCI-E
CompactFlash® slot x 1
- **Storage** 2.5" SATA HDD x 1 (Optional)
- **I/O** RS-232 x 2 (COM1, 2) with isolation
RS-422/485 x 1 (COM3) with isolation and auto data flow control
USB 2.0 x 2 (Host)
PS/2 x 1
- **DI/DO & backup SRAM** 8 x DI/DO with isolation and backup 1MB SRAM

LCD Display

- **Display Type** SXGA TFT LED LCD
- **Display Size** 17"
- **Max. Resolution** 1280 x 1024
- **Max. Colors** 262 K
- **Luminance cd/m2** 350
- **Viewing Angle (H/V°)** 170°/160°
- **Backlight Life** 50,000 hrs
- **Contrast Ratio** 1000:1

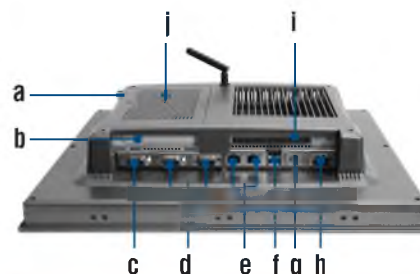
Touchscreen

- **Lifespan** 36 million touches at single point
- **Light Transmission** Above 75%
- **Resolution** Linearity
- **Type** 5-wire, analog resistive

Environment

- **Humidity** 10 ~ 95% RH @ 40°C, non-condensing
- **Ingress Protection** Front panel: IP65
- **Operating Temperature** 0 ~ 55°C (32 ~ 131°F)
- **Storage Temperature** -20 ~ 60°C (-4 ~ 140°F)
- **Vibration Protection** With HDD: 1 Grms (5 ~ 500 Hz)
(Operating, random vibration)

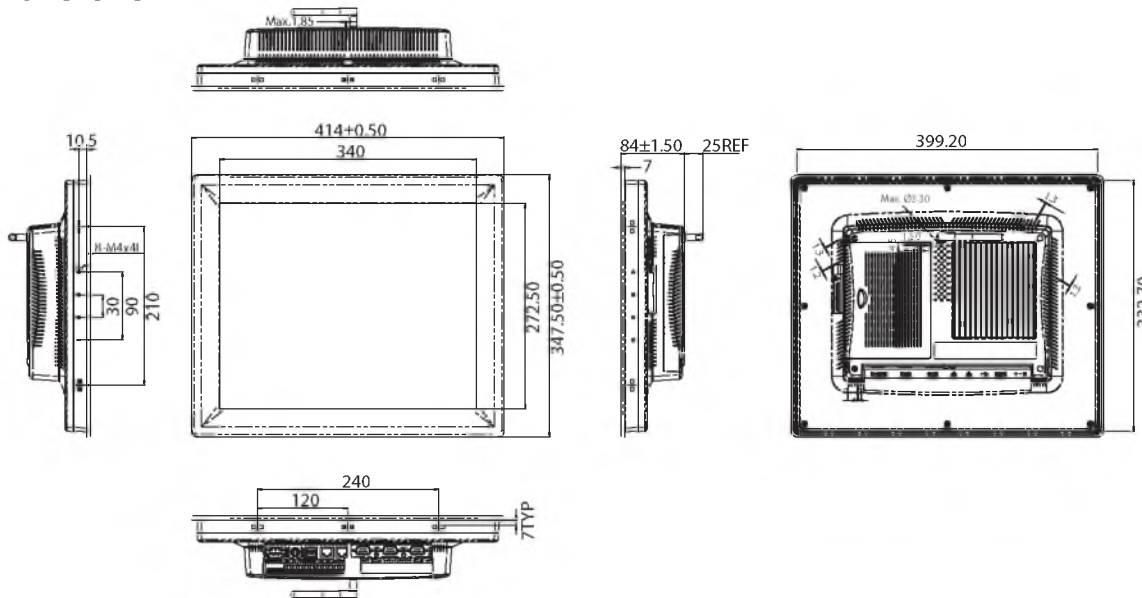
Rear View



- a. CompactFlash
- b. PCI-E slot
- c. COM (RS-422/485)
- d. COM (RS-232)
- e. LAN (10/100/1000)
- f. USB 2.0
- g. PS/2
- h. Power Receptor
- i. DI/O ports
- j. Mini PCI-E slot

Dimensions

Unit: mm



Panel Cut-out Dimensions: 400.8 x 334.3 mm (15.78" x 13.16")

Ordering Information

- TPC-1771H-D3AE 17" SXGA Touch Panel PC, D525 1.8 GHz, 4GB
- WA-TPC1771 TPC-1771H-D3AE with WebAccess software

Accessories





- PWR-247-BE 63W DC 24V/2.62A Output Power Supply
- 1702002600 Power Cable US Plug 1.8 M
- 1702002605 Power Cable EU Plug 1.8 M
- 1702031801 Power Cable UK Plug 1.8 M
- 1700000596 Power Cable China/Australia Plug 1.8 M
- EWM-W151H01E 802.11bgn RTL8188EE 1T1R, Half-size Mini-PCIe (also need 9656EWMG00E)
- 9656EWMG00E Half-size miniPCIe to Full-size miniPCIe bracket set
- 1750000318 EMI Antenna 2DBI 2.4GHz SMA CONN for ARK-3384
- 1750003222 802.11b/g 5dBi Dipole Antenna
- 1750003418 Wireless Antenna AN2400-5901RS R/P SMA.M9dB
- TPC-1000H-WMKE TPC VESA Mounting Kit from 10" to 17" TPC
- TPC-1000H-SMKE TPC Stand kit from 10" to 17" TPC
- 1750000318 EMI Antenna 2DBI 2.4GHz SMA CONN for ARK-3384
- 1750003222 802.11b/g 5dBi Dipole Antenna
- 1750003418 Wireless Antenna AN2400-5901RS R/P SMA.M9dB

* VESA support via a wall mounting kit

Automation Software

- 968WEXP003X PanelExpress V2.0 300 tags S/W license
- 968WEXP015X PanelExpress V2.0 1500 tags S/W license
- 968WEXP050X PanelExpress V2.0 5000 tags S/W license
- 968WEXP2USB PanelExpress V2.0 S/W USB dongle

Application Software

	<p>Version : V2.1 or above</p> <p>An innovative remote device management software, allowing efficient remote monitoring, quick recovery & backup, and real-time remote configuration, to create a more intelligent and interconnected embedded computing solution.</p>
	<p>Version : V7.1 or above</p> <p>WebAccess, as the core of Advantech's IoT solution, is full web browser-based software package for HMI and SCADA software. All HMI and SCADA software features including: Animated Graphics Displays, Real-time Data, Control, Trends, Alarms and Logs, are available in a standard web browser. WebAccess is built around the latest internet technologies. With its open architecture, vertical domain applications can easily be integrated.</p>
	<p>Version : V2.0.3.8 or above</p> <p>Panel Express, a windows based HMI mini SCADA, realizes the cross platform flexibility offered by WebOP Designer to switch hardware for the consideration of cost and performance become an easy job. Panel Express software provides the best economic and express solution for data intensive high-end HMI applications.</p>
	<p>Version : V2.0.3.8 or above</p> <p>An easy to use integrated development tool featuring solution-oriented screen objects, high-end graphics, Windows fonts for multi-language applications. WebOP runtime, a part of WebOP Designer, guarantees reliability and performance because of the minimum system overhead, high communication data rates, and sub-second screen switching.</p>

TPC-1780H

TPC-1770H

17" SXGA TFT LCD Core™ 2 Duo
L7400 Touch Panel Computer

17" SXGA TFT LCD Celeron® M
Touch Panel Computer

NEW



Features

- Intel® Core™ 2 Duo L7400 processor up to 1.5 GHz on board/
Intel Celeron® M processor up to 1 GHz on board
- 17" SXGA TFT LCD
- Compact design with die-cast Al alloy front bezel
- Fanless cooling system
- NEMA4/IP65 compliant front panel
- Supports Microsoft® Windows® XP/XPe, Vista (TPC-1780H only)
- Downward I/O cabling
- Gigabit Ethernet and Fast Ethernet supported

Introduction

With a high quality TFT LCD display, TPC-1780H/TPC-1770H is designed with the Intel Core 2 Duo L7400/Intel Celeron M processor as its core. The Intel Core 2 Duo/Intel Celeron M has low power consumption and 1.5/1 GHz operating frequency. This system is fanless although the kernel is powerful. In addition, spindle-free storage makes the TPC-1780H/TPC-1770H a durable and reliable platform. For applications where spindle-free storage is not critical, a fast-access HDD module can be used. The rich I/O portfolio meets diverse requests.

Specifications

General

- BIOS Award® 4 MB
- Certifications BSMI, CCC, CE, FCC, UL
- Cooling System Fanless design
- Dimensions (W x H x D) 414 x 347.5 x 93 mm (16.3" x 13.68" x 3.66")
- Enclosure Front bezel: Die-cast Aluminum alloy
Back housing: ABS + PC
- Mounting Desktop, Wall or Panel Mount
- OS Support Windows XP/XPe (Vista only for TPC-1780H)
- Power Consumption 100 W Typical
- Power Input 18 ~ 32 V_{DC}
- Watchdog Timer 1 ~ 255 sec (system)
- Weight (Net) 8 kg (17.64 lbs)

System Hardware

- CPU TPC-1780H: Intel Core™ 2 Duo L7400 1.5 GHz
TPC-1770H: Intel Celeron M 1 GHz 512k cache
- Chipset TPC-1780H: Intel 945GME + ICH7
TPC-1770H: Intel 915GME + ICH6M
- Memory TPC-1780H: 2GB SO-DIMM DDR2 SDRAM, Up to 4GB
TPC-1770H: 1GB 240pin DIMM DDR2 SDRAM
- LAN 10/100/1000Base-T x 2
- Expansion Slots PCI-104 (Up to 1 unit, Optional)
RS-422/485 (Optional)
- Storage CompactFlash® slot x 1
2.5" SATA HDD x 1(optional)
- I/O RS-232 x 3 (COM1, 3, 4)
USB 2.0 x 4 (Host)
PS/2 Keyboard x 1, PS/2 Mouse x 1
VGA x 1
MIC-in x 1, Line-in x 1, Line-out x 1

LCD Display

- Display Type SXGA TFT LCD
- Display Size 17"
- Max. Resolution 1280 x 1024
- Max. Colors 16.7 M
- Luminance cd/m² 300
- Viewing Angle (H/V°) 160/160
- Backlight Life 50,000 hrs
- Contrast Ratio 800:1

Touchscreen

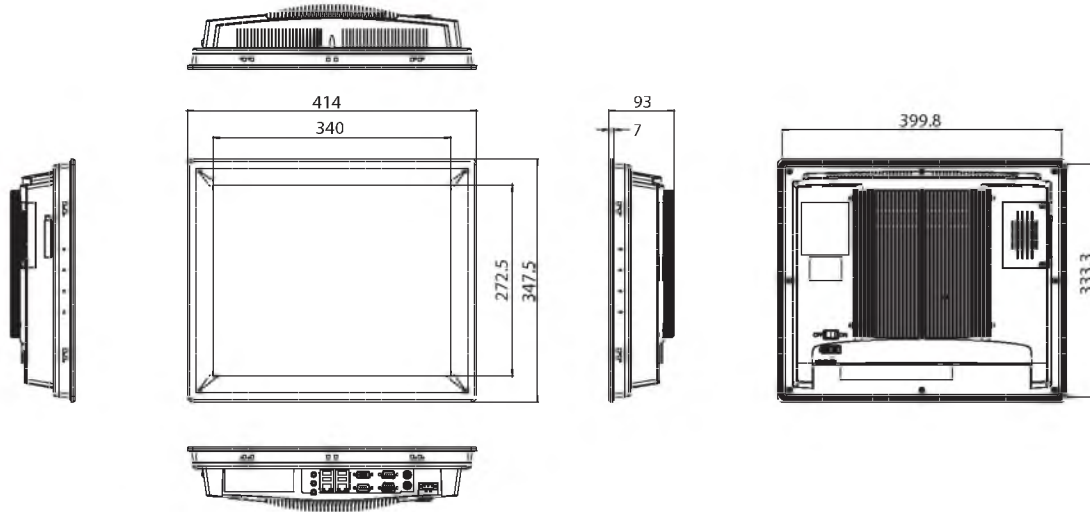
- Lifespan 1 million touches at single point
- Light Transmission Above 75%
- Resolution Linearity
- Type 8-wire, analog resistive

Environment

- Humidity 10 ~ 95% RH @ 40° C, non-condensing
- Ingress Protection Front panel: NEMA4, IP65
- Operating Temperature 0 ~ 45° C (32 ~ 113° F)
- Storage Temperature -20 ~ 60° C (-4 ~ 140° F)
- Vibration Protection With HDD: 1 Grms (5 ~ 500 Hz)
(Operating, random vibration)

Dimensions

Unit: mm

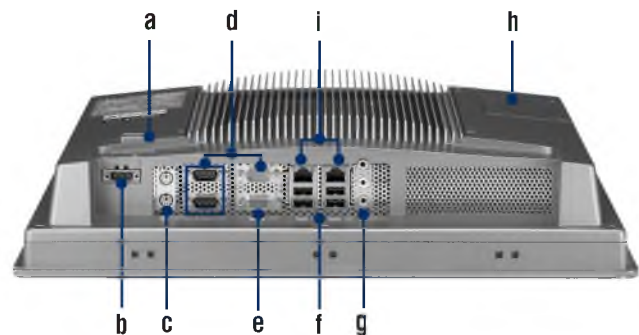


Panel Cut-out Dimensions: 400.8 x 334.3 mm

Ordering Information

- **TPC-1780H-P3AE** 17" SXGA Touch Panel PC, Core 2 Duo L7400, 2 GB
- **TPC-1770H-C2BE** 17" SXGA Touch Panel PC, Celeron M 1 GHz, 1 GB
- **TPC-1770H-SMKE** TPC-1770H/1780H Desktop Stand
- **TPC-1770H-WMKE** TPC-1770H/1780H Wallmount Kit
- **PWR-244-AE** 24V 110W AC-DC Power Adapter

Rear View



- a. Power Switch, Fuse
- b. Power Receptor
- c. PS/2
- d. COM (RS-232)
- e. VGA
- f. USB 2.0
- g. Audio (Line-In, Line-Out, MIC)
- h. 2.5" SATA HDD Housing
- i. LAN (10/100/1000)

TPC-1782H

17" SXGA TFT LED LCD Intel® 4th Generation Core i3 Touch Panel Computer

NEW



Features

- Industrial 17" SXGA TFT LCD with 50K Lifetime LED Backlight
- Intel 4th Generation Core i3 1.7GHz with 4GB DDR3L SDRAM
- Compact Fanless Embedded System with Al Alloy Front Bezel
- IP65 Approved Front Protection & Panel Mounting
- More Durable 5-wire Resistive Touch Screen
- PCIe 1x and Mini PCIe Expansion Support
- Diverse system I/O and Isolated Digital I/O by iDoor Technology
- Supports Fieldbus Protocol by iDoor Technology
- 3G/GPS/GPRS/WiFi Communication by iDoor Technology
- Supports MRAM by iDoor Technology
- Chassis Grounding Protection
- Supports Advantech SNMP Subagent
- Supports Advantech SusiAccess Remote Device Management Software

Introduction

The TPC-1782H touch panel computer with a 17" SXGA LCD, low power embedded Intel 4th Generation Core i3 1.7GHz processor and 4GB DDR3L SDRAM provides the high computing performance in a compact fanless system. To enhance its durability, the TPC-1782H is designed with IP65 front protection, die-cast Al Alloy front bezel and 5-wire resistive touch. It also includes PCIe slot and Mini-pcie slots to extend the functionality and meet a variety of automation applications needs. Through the Mini-PCIe slot, Advantech iDoor technology can provide more I/O connectors, Isolated Digital I/O, the Fieldbus Protocol, 3G/GPS/GPRS/Wi-Fi Communication and MRAM. A 2nd monitor and speaker can be attached via the integrated HDMI and Audio port.

The pre-loaded SusiAccess is a smart, unique and ready-to-use remote device management software for you to centralize monitoring and managing of remote embedded devices in real-time. You can focus more on your own applications and let SusiAccess do the rest - configure systems, monitor device health, and recover from any system failures. It's cloud-based and provides on-demand software services so you can easily download and upgrade applications when you need.

Specifications

General

- BIOS**: AMI UEFI
- Certification**: BSMI, CCC, CE, FCC Class A, UL
- Cooling System**: Fanless design
- Dimensions (W x H x D)**: 414 x 347.5 x 84 mm (16.3" x 13.68" x 3.31")
- Enclosure**: Front bezel: Die-cast Aluminum alloy
Back housing: PC/ABS Resin
- Mounting**: Desktop, Wall or Panel Mount
- OS Support**: Microsoft® WES7 32bit/64bit Windows 7 32bit/64bit
Windows Embedded 8.1 Industry Pro 64bit
Windows 7 32bit/64bit
- Power Consumption**: 20W Typical, 60W Max. (Without Add-on card)
- Power Input**: 24V_{DC} ± 20%
- Watchdog Timer**: 1 ~ 255 sec (system)
- Weight (Net)**: 6 kg (13.23 lbs)

System Hardware

- CPU**: Intel 4th Generation Core i3-4010U 1.7GHz
- Chipset**: Lynx Point-LP
- Memory**: 4GB DDR3L 1600MHz SO-DIMM SDRAM
- LAN**: 10/100/1000 Base-T x 2 (one port supports iAMT)
- Expansion Slots**: Half-size PCIe 1x and Full-size Mini PCI-E
- Storage**: CFast slot x 1
2.5" SATA SSD slot x 1
- I/O**: RS-232 x 1, RS-232/422/485 x 1
USB 3.0 x 2, HDMI 1.4 x 1
Audio Line out x 1, USB 2.0 x 1 (optional)
Audio MIC x 1 (optional)

LCD Display

- Display Type**: SXGA TFT LED LCD
- Display Size**: 17"
- Max. Resolution**: 1280 x 1024

- Max. Colors**: 16.7 M
- Luminance cd/m²**: 350
- Viewing Angle (H/V°)**: 160/140
- Backlight Life**: 50,000 hrs
- Contrast Ratio**: 800:1

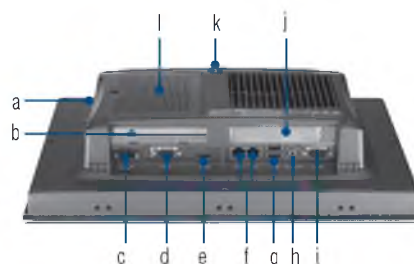
Touchscreen

- Lifespan**: 36 million touches at single point
- Light Transmission**: Above 75%
- Resolution**: Linearity
- Type**: 5-wire, analog resistive

Environment

- Humidity**: 10 ~ 95% RH @ 40°C, non-condensing
- Ingress Protection**: Front panel: IP65
- Operating Temperature**: 0 ~ 55°C (32 ~ 131°F)
- Storage Temperature**: -20 ~ 60°C (-4 ~ 140°F)
- Vibration Protection**: With HDD: 1 Grms (5 ~ 500 Hz)
(Operating, random vibration)

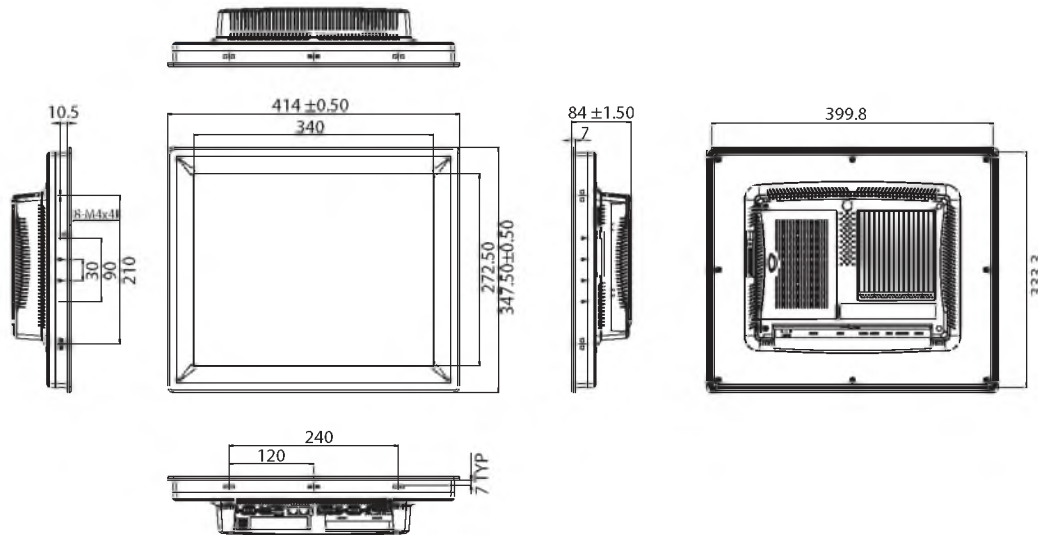
Rear View



- a. CFast
- b. PCI-E Slot
- c. 24V_{DC} Power
- d. COM (RS-232)
- e. HDMI
- f. LAN
- g. USB3.0
- h. Audio Line Out
- i. COM (RS-232/422/485)
- j. iDoor
- k. SMA Connector for Antenna
- l. 2.5" SATA SSD Slot and Mini-PCIe Slot

Dimensions

Unit: mm



Panel Cut-out Dimensions: 400.8 x 334.3 mm (16.03" x 13.37")

Ordering Information

- **TPC-1782H-433AE** 17" SXGA Panel PC, Intel i3-4010U, 4GB, iDoor, PCIe
- **TPC-1782H-473AE** 17" SXGA Panel PC, Intel i7-4650U, 4GB, iDoor, PCIe
- **WA-TPC1782H** TPC-1782H-433AE with WebAccess software

Accessories

- **PWR-248-AE** 150W DC 24V/6.25A Output Power Supply
- **1702002600** Power Cable US Plug 1.8 M
- **1702002605** Power Cable EU Plug 1.8 M
- **1702031801** Power Cable UK Plug 1.8 M
- **1700000596** Power Cable China/Australia Plug 1.8 M
- **TPC-1000H-WMKE** TPC VESA Mounting Kit from 10" to 17" TPC
- **TPC-1000H-SMKE** TPC Stand kit from 10" to 17" TPC
- **EWM-W151H01E** 802.11bgn RTL8188EE 1T1R, Half-size Mini-PCle (also need 9656EWMG00E)
- **9656EWMG00E** Half-size miniPCle to Full-size miniPCle bracket set
- **1750000318** EMI Antenna 2DBI 2.4GHz SMA CONN for ARK-3384
- **1750003222** 802.11b/g 5dBi Dipole Antenna
- **1750003418** Wireless Antenna AN2400-5901RS R/P SMA.M9dB






Automation Software

- **968WEXP003X** PanelExpress V2.0 300 tags S/W license
- **968WEXP015X** PanelExpress V2.0 1500 tags S/W license
- **968WEXP050X** PanelExpress V2.0 5000 tags S/W license
- **968WEXP2USB** PanelExpress V2.0 S/W USB dongle

iDoor Modules

- **PCM-2300MR-AE** MR4A16B, 2MByte
- **PCM-26D1PB-AE** Hilscher netX100 FieldBus, ProfiBus, DB9 x 1
- **PCM-26D2CA-AE** SJA1000 CANBus, CANOpen, DB9 x 1
- **PCM-24D2R4-AE** OXPcLe-952 UART, Isolated RS-422/485, DB9 x 2
- **PCM-24D2R2-AE** OXPcLe-952 UART, Isolated RS-232, DB9 x 2
- **PCM-24D4R4-AE** OXPcLe-954 UART, Non-Isolated RS-422/485, DB37 x 1
- **PCM-24D4R2-AE** OXPcLe-954, UART, Non-Isolated RS-232, DB37 x 1
- **PCM-27D24DI-AE** Digital I/O, 16DI / 8DO, DB37 x 1

Application Software

	<p>Version : V2.1 or above</p> <p>An innovative remote device management software, allowing efficient remote monitoring, quick recovery & backup, and real-time remote configuration, to create a more intelligent and interconnected embedded computing solution.</p>
	<p>Version : V7.1 or above</p> <p>WebAccess, as the core of Advantech's IoT solution, is full web browser-based software package for HMI and SCADA software. All HMI and SCADA software features including: Animated Graphics Displays, Real-time Data, Control, Trends, Alarms and Logs, are available in a standard web browser. WebAccess is built around the latest internet technologies. With its open architecture, vertical domain applications can easily be integrated.</p>
	<p>Version : V2.0.3.8 or above</p> <p>Panel Express, a windows based HMI mini SCADA, realizes the cross platform flexibility offered by WebOP Designer to switch hardware for the consideration of cost and performance become an easy job. Panel Express software provides the best economic and express solution for data intensive high-end HMI applications.</p>
	<p>Version : V2.0.3.8 or above</p> <p>An easy to use integrated development tool featuring solution-oriented screen objects, high-end graphics, Windows fonts for multi-language applications. WebOP runtime, a part of WebOP Designer, guarantees reliability and performance because of the minimum system overhead, high communication data rates, and sub-second screen switching.</p>
	<p>Visualizing device and platform network connectivity conditions and offering easier firmware and configuration solutions to ensure stable network connections.</p>

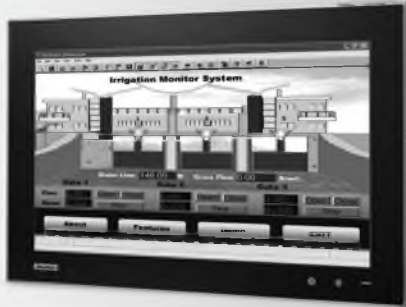
TPC-1840WP

18.5" WXGA TFT LCD Multi-Touch Panel Computer with AMD Dual-core processor



2013

NEW



Features

- 18.5" WXGA TFT LED LCD display
- AMD dual-core T56E 1.65GHz with independent GPU, advanced graphical performance
- 16:9 wide screen with PCT multi-touch
- Built-in function and home key button used for intuitive UI
- Anti-scratch surface: 7H hardness
- Easy Maintenance of Cfast/HDD/Mini-PCIe components by opening side cover
- Support Mini-PCIe expansion slot
- Support HDMI for second display application
- HD Audio supports for alarm application
- Front LED indicator to show operating status
- IP66 compliant true flat screen
- Compact design with Die-cast Magnesium alloy front bezel
- Fanless cooling system
- Winner of the 2013 iF product design award

Introduction

With brand-new ID design, the TPC-1840WP provides a high resolution 18.5" display and PCT multi-touch in 16:9 wide format. By embedding an AMD T56E 1.65GHz processor with independent GPU, the TPC-1840WP can support advanced graphical performance in more complex applications. Built-in function and home key button for greater user usability and operating safety. The TPC-1840WP also supports a mini-PCIe slot for communication function expansion. The opening side cover is designed for easy maintenance of Cfast/HDD/Mini-PCIe components.

Specifications

General

- **BIOS** AMI 32Mbit
- **Certification** BSMI, CCC, CE, FCC Class A, UL
- **Cooling System** Fanless design
- **Dimensions (W x H x D)** 488 x 309 x 56.7 (19.21" x 12.17" x 2.23")
- **Enclosure** Front bezel: Die-cast Magnesium alloy
Back housing: PC/ABS Resin
- **Mounting** Panel Mount
- **OS Support** Microsoft® Win8/WES7P/XP/WES2009/Linux
- **Power Consumption** 35 W Typical
- **Power Input** 18 ~ 32 V_{DC}
- **Watchdog Timer** 1 ~ 255 sec (system)
- **Weight (Net)** 7kg (15.44 lbs)

System Hardware

- **CPU** AMD G-series T56E 1.65GHz
- **Chipset** AMD A50M FCH
- **Memory** 4GB SO-DIMM DDR3 SDRAM
- **LAN** 10/100/1000Base-T x 2
- **Expansion Slots** Full-sized Mini PCI-E x 1
- **Storage** CFast slot x 1
2.5" SATA HDD x 1(optional)
- **I/O** RS-232 x 3
RS-422 / 485 x1
USB 2.0 x 2(Host)
HDMI x 1
Mic in x 1, Line out x 1

LCD Display

- **Display Type** WXGA TFT LED LCD
- **Display Size** 18.5"
- **Max. Resolution** 1366 x 768
- **Max. Colors** 16.7 M
- **Luminance cd/m²** 300
- **Viewing Angle (H/V°)** 170/160
- **Backlight Life** 50,000 hrs

Touchscreen

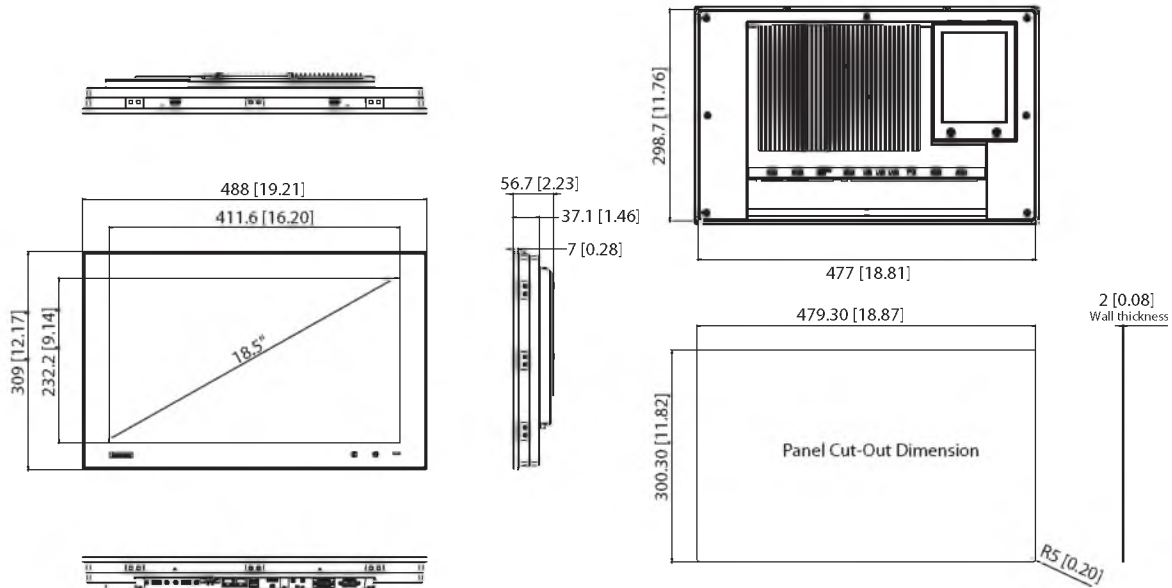
- **Light Transmission** ≥88%
- **Resolution** 4096*4096 dot
- **Type** Projected capacitive

Environment

- **Humidity** 10 ~ 95% RH @ 40°C, non-condensing
Note: Tested for 48hrs
- **Ingress Protection** Front panel: IP66
- **Operating Temperature** 0 ~ 55°C (32 ~ 131°F)
- **Storage Temperature** -20 ~ 60°C (-4 ~ 140°F)
- **Vibration Protection** With HDD: 1 Grms (5 ~ 500 Hz)
(Operating, random vibration)

Dimensions

Unit: mm [inch]



Panel Cut-out Dimensions: 479.3mm x 300.3mm mm (18.87"11.82")

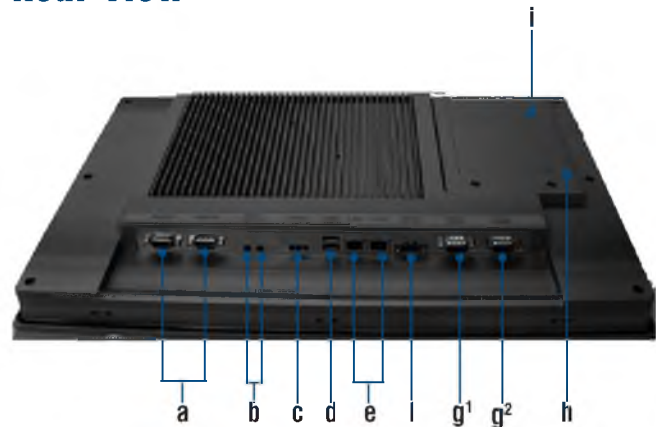
Ordering Information

- TPC-1840WP-T3AE 18.5" WXGA Multi-Touch Panel PC, AMD T56E, 4GB

Accessories

- 1757003463 100-240V_{AC} to 19V_{DC} 90W Power Adapter
- 1700001524 Power Cord 3P UL 10A 125V 1.8M
- PWR-247-AE 50W DC 24V/2.3A Output Power Supply
- 1702002605 Power cable EU Plug 1.8M
- 1702031801 Power cable UK Plug 1.8M
- 1702031836 Power cable China/Australia Plug 1.8M

Rear View



- a. COM 1 & 2 (RS-232)
- b. Audio (Line out, Mic in)
- c. HDMI
- d. USB 2.0
- e. LAN (10/100/1000)
- f. Power Receptor
- g¹. COM3 (RS-232)
- g². COM4 (RS-422/485)
- h. Mini PCI-E slot
- i. 2.5" SATA HDD Housing

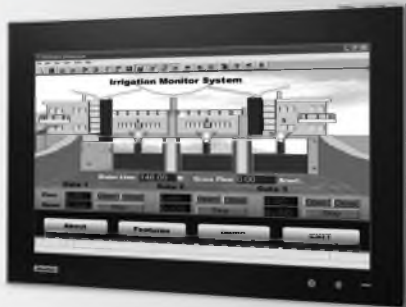
TPC-2140WP

21.5" Full HD TFT LCD Touch Panel Computer with AMD Dual-core processor



2013

NEW



Features

- 21.5" Full HD TFT LED LCD display
- AMD dual-core T56E 1.65GHz with independent GPU, advanced graphical performance
- 16:9 wide screen with PCT multi-touch
- Built-in function and home key button used for intuitive UI
- Anti-scratch surface: 7H hardness
- Easy Maintenance of Cfast/HDD/Mini-PCIe components by opening side cover
- Support Mini-PCIe expansion slot
- Support HDMI for second display application
- HD Audio supports for alarm application
- Front LED indicator to show operating status
- IP66 compliant true flat screen
- Compact design with Die-cast Magnesium alloy front bezel
- Fanless cooling system
- Winner of the 2013 iF product design award

Introduction

With a brand-new ID design, the TPC-2140WP provides a high resolution 21.5" display and PCT multi-touch in 16:9 wide format. By embedding an AMD T56E 1.65GHz processor with independent GPU, the TPC-2140WP can support advanced graphical performance in more complex applications. Built-in function and home key button for greater user usability and operating safety. The TPC-2140WP also supports a mini-PCIe slot for communication function expansion. The opening side cover is designed for easy maintenance of Cfast/HDD/Mini-PCIe components.

Specifications

General

- **BIOS** AMI 32Mbit
- **Certification** BSMI, CCC, CE, FCC Class A, UL
- **Cooling System** Fanless design
- **Dimensions (W x H x D)** 558.4 x 349.8 x 56.7 (21.98" x 13.77" x 2.23")
- **Enclosure** Front bezel: Die-cast Magnesium alloy
Back housing: PC/ABS Resin
- **Mounting** Panel Mount
- **OS Support** Microsoft® Win8/WES7P/XP/WES2009/Linux
- **Power Consumption** 35 W Typical
- **Power Input** 18 ~ 32 V_{DC}
- **Watchdog Timer** 1 ~ 255 sec (system)
- **Weight (Net)** 8.5 kg (18.74 lbs)

System Hardware

- **CPU** AMD G-series T56E 1.65GHz
- **Chipset** AMD A50M FCH
- **Memory** 4GB SO-DIMM DDR3 SDRAM
- **LAN** 10/100/1000Base-T x 2
- **Expansion Slots** Full-sized Mini PCI-E x 1
- **Storage** CFast slot x 1
2.5" SATA HDD x 1(optional)
- **I/O** RS-232 x 3
RS-422 / 485 x 1
USB 2.0 x 2(Host)
HDMI x 1
Mic in x 1, Line out x 1

LCD Display

- **Display Type** Full HD TFT LED LCD
- **Display Size** 21.5"
- **Max. Resolution** 1920 x 1080
- **Max. Colors** 16.7 M
- **Luminance cd/m²** 300
- **Viewing Angle (H/V°)** 178/178
- **Backlight Life** 50,000 hrs

Touchscreen

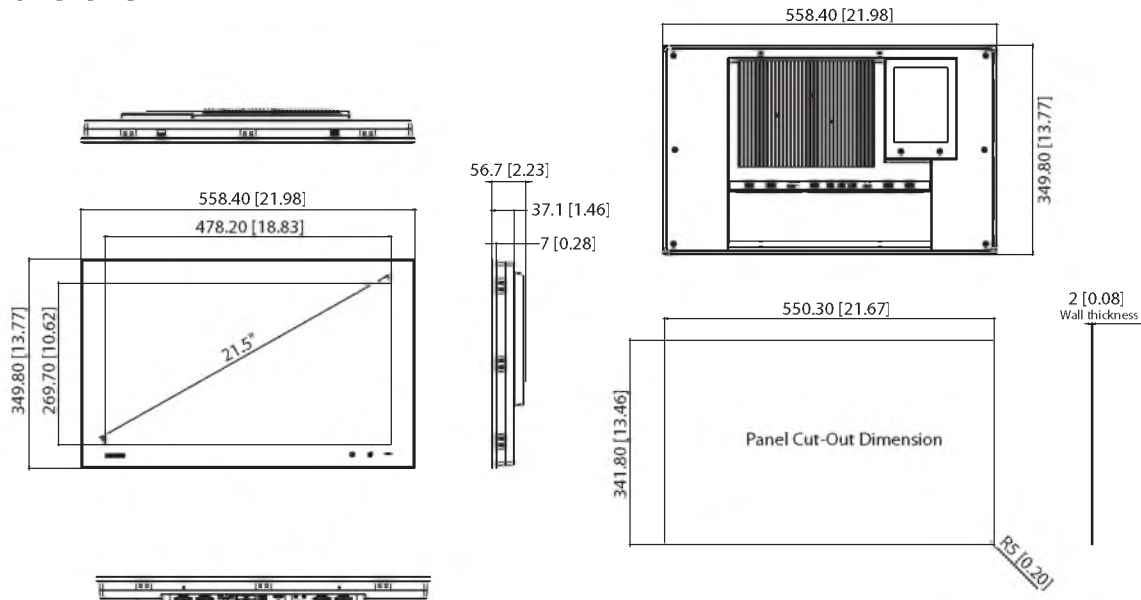
- **Light Transmission** ≥88%
- **Resolution** 4096*4096 dot
- **Type** Projected capacitive

Environment

- **Humidity** 10 ~ 95% RH @ 40°C, non-condensing
Note: Tested for 48hrs
- **Ingress Protection** Front panel: IP66
- **Operating Temperature** 0 ~ 55°C (32 ~ 131°F)
- **Storage Temperature** -20 ~ 60°C (-4 ~ 140°F)
- **Vibration Protection** With HDD: 1 Grms (5 ~ 500 Hz)
(Operating, random vibration)

Dimensions

Unit: mm [inch]



Panel Cut-out Dimensions: 550.3mm x 341.8 mm (21.67" x 13.46")

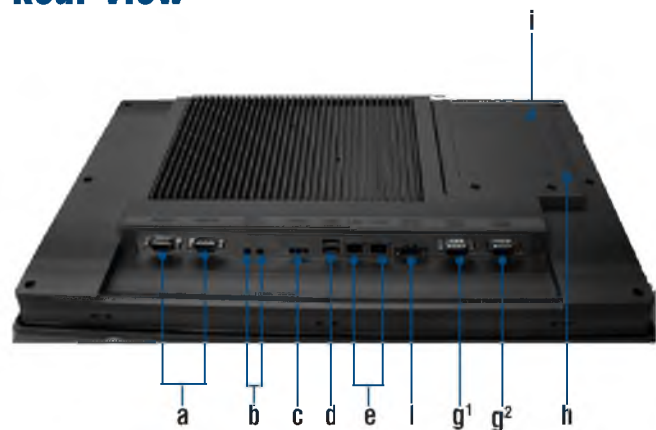
Ordering Information

- TPC-2140WP-T3AE 21.5" full-HD Multi-Touch Panel PC, AMD T56E, 4GB

Accessory

- 1757003463 100-240V_{AC} to 19V_{DC} 90W Power Adapter
- 1700001524 Power Cord 3P UL 10A 125V 1.8M
- PWR-247-AE 50W DC 24V/2.3A Output Power Supply
- 1702002605 Power cable EU Plug 1.8M
- 1702031801 Power cable UK Plug 1.8M
- 1702031836 Power cable China/Australia Plug 1.8M

Rear View



- a. COM 1 & 2 (RS-232)
- b. Audio (Line out, Mic in)
- c. HDMI
- d. USB 2.0
- e. LAN (10/100/1000)
- f. Power Receptor
- g¹. COM3 (RS-232)
- g². COM4 (RS-422/485)
- h. Mini PCI-E slot
- i. 2.5" SATA HDD Housing

По вопросам продаж и поддержки обращайтесь:

Архангельск (8182)63-90-72
Астана +7(7172)727-132
Белгород (4722)40-23-64
Брянск (4832)59-03-52
Владивосток (423)249-28-31
Волгоград (844)278-03-48
Вологда (8172)26-41-59
Воронеж (473)204-51-73
Екатеринбург (343)384-55-89
Иваново (4932)77-34-06
Ижевск (3412)26-03-58
Казань (843)206-01-48

Калининград (4012)72-03-81
Калуга (4842)92-23-67
Кемерово (3842)65-04-62
Киров (8332)68-02-04
Краснодар (861)203-40-90
Красноярск (391)204-63-61
Курск (4712)77-13-04
Липецк (4742)52-20-81
Магнитогорск (3519)55-03-13
Москва (495)268-04-70
Мурманск (8152)59-64-93
Набережные Челны (8552)20-53-41

Нижний Новгород (831)429-08-12
Новокузнецк (3843)20-46-81
Новосибирск (383)227-86-73
Орел (4862)44-53-42
Оренбург (3532)37-68-04
Пенза (8412)22-31-16
Пермь (342)205-81-47
Ростов-на-Дону (863)308-18-15
Рязань (4912)46-61-64
Самара (846)206-03-16
Санкт-Петербург (812)309-46-40
Саратов (845)249-38-78

Смоленск (4812)29-41-54
Сочи (862)225-72-31
Ставрополь (8652)20-65-13
Тверь (4822)63-31-35
Томск (3822)98-41-53
Тула (4872)74-02-29
Тюмень (3452)66-21-18
Ульяновск (8422)24-23-59
Уфа (347)229-48-12
Челябинск (351)202-03-61
Череповец (8202)49-02-64
Ярославль (4852)69-52-93