

# Встраиваемые промышленные компьютеры автоматизации серии UNO-1000

## ТЕХНИЧЕСКИЕ ХАРАКТЕРИСТИКИ

**По вопросам продаж и поддержки обращайтесь:**

Архангельск (8182)63-90-72  
Астана +7(7172)727-132  
Белгород (4722)40-23-64  
Брянск (4832)59-03-52  
Владивосток (423)249-28-31  
Волгоград (844)278-03-48  
Вологда (8172)26-41-59  
Воронеж (473)204-51-73  
Екатеринбург (343)384-55-89  
Иваново (4932)77-34-06  
Ижевск (3412)26-03-58  
Казань (843)206-01-48

Калининград (4012)72-03-81  
Калуга (4842)92-23-67  
Кемерово (3842)65-04-62  
Киров (8332)68-02-04  
Краснодар (861)203-40-90  
Красноярск (391)204-63-61  
Курск (4712)77-13-04  
Липецк (4742)52-20-81  
Магнитогорск (3519)55-03-13  
Москва (495)268-04-70  
Мурманск (8152)59-64-93  
Набережные Челны (8552)20-53-41

Нижний Новгород (831)429-08-12  
Новокузнецк (3843)20-46-81  
Новосибирск (383)227-86-73  
Орел (4862)44-53-42  
Оренбург (3532)37-68-04  
Пенза (8412)22-31-16  
Пермь (342)205-81-47  
Ростов-на-Дону (863)308-18-15  
Рязань (4912)46-61-64  
Самара (846)206-03-16  
Санкт-Петербург (812)309-46-40  
Саратов (845)249-38-78

Смоленск (4812)29-41-54  
Сочи (862)225-72-31  
Ставрополь (8652)20-65-13  
Тверь (4822)63-31-35  
Томск (3822)98-41-53  
Тула (4872)74-02-29  
Тюмень (3452)66-21-18  
Ульяновск (8422)24-23-59  
Уфа (347)229-48-12  
Челябинск (351)202-03-61  
Череповец (8202)49-02-64  
Ярославль (4852)69-52-93

# UNO-1110

TI Cortex AM3505 DIN-rail PC with  
2 x LAN, 5 x COM, 4 x USB

NEW



## Features

- TI Cortex A8 AM3505 600 MHz processor
- 256 MB DDR2 on board
- 4 x RS-232/422/485, 1 x RS-485 serial ports
- Dual 10/100 Mbps Ethernet
- 2 x SD card slots
- Windows® CE 6.0 Ready Platform and optional uClinux OS support
- Included Advantech DaigAnywhere for easy remote configuration & diagnosis
- DIN-rail and Wallmounting Options
- Onboard system & LED indicators
- Supports Microsoft .NET compact framework 3.5
- Fanless and no internal cabling design
- System/Field ground isolation

## Introduction

Advantech's UNO-1110 series are RISC-grade embedded platforms that offer up to 2 LAN ports, 5 serial ports and 2 SD card slots. The UNO-1110 series also come with Windows CE 6.0/Linux OS, offering an integrated image. Additionally, the UNO-1110 series operate at temperatures between -10 ~ 70°C, and their small size and lightweight design allows it to be installed in tight industrial environments. The UNO-1110 series are excellent communication gateways for converting communication protocols, I/O control, and data storage in the industrial field.

## Specifications

### General

- **Certification** CE, FCC Class A, UL, CCC
- **Dimensions (W x H x D)** 50 x 154 x 127 mm (1.9" x 6.1" x 5")
- **Enclosure** Aluminium with solid mounting hardware
- **Mounting** DIN-rail, Wallmount
- **Industrial Grounding** Isolation between chassis and power ground
- **Power Consumption** 10 ~ 30 V<sub>DC</sub> (13 W), AT, ground isolation, dual power inputs.
- **Weight** 0.45 kg
- **System Design** Fanless design with no internal cabling

### System Hardware

- **CPU** TI Cortex A8 AM3505 600 MHz
- **Memory\*** Onboard 256 MB DDR2
- **Display** DB15 VGA connector, up to 1024 x 768
- **Indicators** Power, Serial (Tx, Rx), SD  
4 x DI/2 x DO  
4 x programmable LED
- **Storage** 2 x SD card slots (one for boot and another for data storage)
- **Other** Realtime clock, Watchdog timer
- **SIM** 1 x card slot (reserved for project and will only have 1 x SD card slot left)
- **Expansion** 1 x Mini PCIe card slot (Signal Protocol: USB Differential)

\*Note: up to 512MB DDR2 (reserved for project)

### System Software

- **Operating System** WinCE 6.0/ Linux
- **Remote Management** Built-in Advantech DiagAnywhere agent on Windows

### I/O Interface

- **Serial Ports** 4 x RS-232/422/485\*\*, 1 x RS-485  
\*\*COM3,4 optional isolation by project  
Automatic RS-485 data flow control, DIP Switch configuration
- **Serial Port Speed** RS-232: 300 ~ 115.2 kbps  
RS-422/485: 300 ~ 115.2 kbps (Max)
- **LAN** 2 x 10/100Base-T RJ-45 ports
- **USB** 4 x USB 2.0
- **Digital Input** 4 x Digital Inputs\*\*  
Dry contact  
Logic level 0: Open  
Logic level 1: Close
- **Digital Output** 2 x Digital Outputs\*\*  
\*\*Optional isolation by project  
Open Collect to 30 V  
200 mA max Load, power dissipation 450mW  
\*\*\*Audio Line-out reserved for project

### Environment

- **Ingress Protection** IP40
- **Operating Temperature** -10 ~ 70°C (14 ~ 158°F)
- **Storage Temperature** -40 ~ 80°C (-4 ~ 176°F)
- **Operating Humidity** 20 ~ 95% (non-condensing)
- **Storage Humidity** 20 ~ 95% (non-condensing)
- **Shock Protection** Half-sine wave, 30G, 11ms
- **Vibration Protection** Random 1Grms

## Ordering Information

- **UNO-1110-R11AE** TI Cortex AM3505 600MHz DIN-rail PC UNO-1110 with WinCE 6.0 (English)
- **PCLS-DIAGAW10** Advantech Remote Monitoring & Diagnosis Utility
- **SQF-ISDS1-1G-86E** 1GB SLC SD Card (-40 ~ 85°C)
- **2070012539** UNO-1110 Linux MUL Image

# UNO-1372G

**Intel® Atom™ Quad-Core Small- Size Control DIN-Rail PC w/ 3 x GbE, on-board 4GB DDR3L SDRAM, 2 x mPCIe, 1 mSATA, 2 x COM, 8 x DI/O, 3 x USB, HDMI/VGA**

**NEW**



## Features

- Intel® Atom E3845 1.91GHz processor with 4GB DDR3L Memory
- 3 x GbE, 3 x USB, 2 x COM, 1 x VGA, 1 x HDMI, Audio, iDoor, mSATA, 2mPCIe, 1 x SATA, 8 x DIO, 1 x Power Terminal
- Compact with Fanless Design
- Dual Power Input for Reducing Power Down Time
- Exchangeable RTC Battery with easy Access on the Top
- Digital I/O with Isolation Protection for Sensing and controlling
- Diverse system IO and Supports Fieldbus Protocol by iDoor Technology as a Protocol Gateway
- 3G/GPS/GPRS/Wi-Fi Communication by iDoor Technology as a Communication Gateway
- Supports MRAM by iDoor Technology
- Chassis Grounding Protection
- LAN Redundancy (Teaming)

## Introduction

The UNO-1372G is an Intel Atom Quad-Core DIN-Rail controller. This controller featured with dual power input that shorten the down time to enhance operation excellence. The general purpose input/output ports also help machine builders integrate direct control of start/stop inspection and indicate inspection results. The UNO-1372G is also equipped with Advantech iDoor technology that uses iDoor modules to extend this product to become a gateway controller, such as a PoE card, or isolation serial port card. The UNO-1372G also features 3 gigabyte LAN ports, 1 USB 3.0 port, 2 COM ports and HDMI& VGA display ports for essential upstream and downstream links, for example, PoE connected to IP camera from iDoor.

## Specifications

### General

- **Certification** CE, FCC, UL, CCC, BSMI
- **Dimensions ( W x D x H )** 85 x 139 x 152 mm (3.3" x 5.5" x 6.0")
- **Form Factor** Small Size
- **Enclosure** Aluminum Housing
- **Mounting** DIN-rail, Wallmount
- **Weight (Net)** 1.6kg (3.5lbs)
- **Power Requirement** 9~36V<sub>DC</sub>
- **Power Consumption** 24W (Typical)
- **OS Support** Microsoft® Windows 7/8, WES7/WES8, Linux

### System Hardware

- **BIOS** AMI UEFI 128Mbit Flash BIOS
- **Watchdog Timer** Programmable 6 levels timer interval, from 15 to 255 sec
- **Processor** Intel Atom E3845 1.91GHz, 2MB L2 Cache
- **System Chip** Integrated Intel SoC Chipset
- **Memory** On-board 4GB DDR3L 1333 MHz
- **Graphics Engine** Intel® HD Graphics
- **Ethernet** Intel® i210-IT GbE, 802.1Qav, 802.1AS, 802.3az Realtek RTL8111E GbE
- **LED Indicators** LEDs for Power, battery, LAN (Active, Status), Tx/Rx and HDD
- **Storage** One drive bay for SATA 2.5" HDD (Compatible with 9.5mm height HDD)  
CFast drive by iDoor Technology (Optional)
- **Expansion** 2 x Full-size mPCIe slot, 1x mSATA (Full-size)

### I/O Interfaces

- **Serial Ports** 1 x RS-232, DB9, 50~115.2kbps  
1 x RS-422/485, DB9, auto flow control, 50~115.2kbps
- **LAN Ports** 3 x RJ45, 10/100/1000 Mbps IEEE 802.3u 1000Base-T Fast Ethernet, support Jumbo Frame
- **USB Ports** 3 x USB Ports (2 x USB2.0, 1 x USB 3.0 compliant )
- **Displays** 1 x VGA, supports 1920 x 1200 @ 60Hz 24bpp  
1 x HDMI 1.4a, supports 1920 x 1080 @ 60Hz 24bpp
- **Audio** Line-Out
- **Power Connector** 1 x 4 Pins, Terminal Block to support dual power input
- **Grounding Protection** Chassis Grounding





### Digital I/O

- **4-ch digital input** Wet/dry contact with Isolation Protection 2,500 V<sub>DC</sub>
- **4-ch digital output** Compatible 5 V/TTL, Capable Sink: 24 mA max. per channel

### Environment

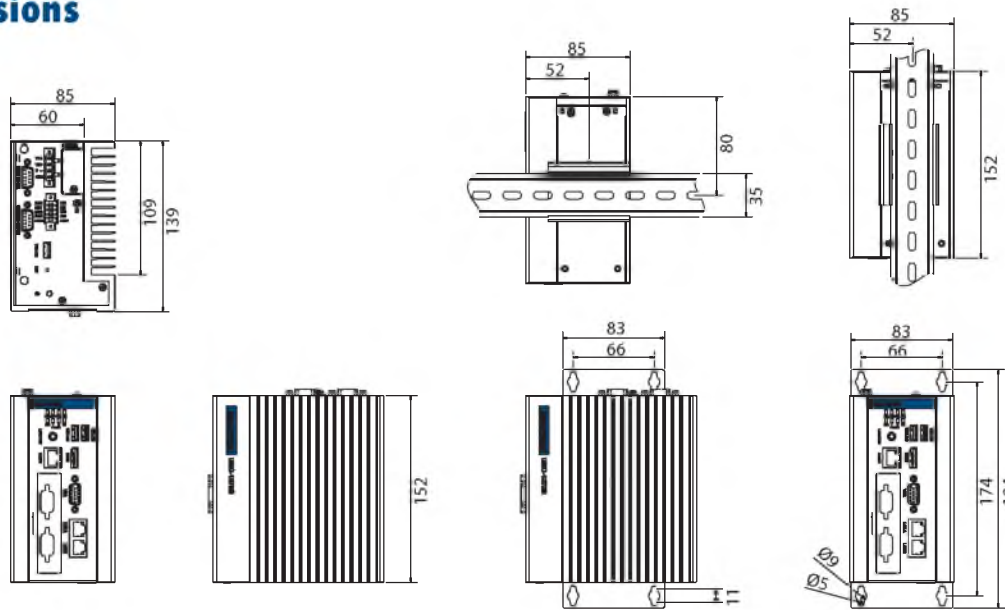
- **Operating Temperature** - 20 ~ 60°C (-4 ~ 140°F) @ 5 ~ 85% RH with 0.7m/s airflow (Industry SSD)
- **Storage Temperature** - 40 ~ 85°C (-40 ~ 185°F)
- **Relative Humidity** 95% RH @ 40°C, non-condensing
- **Shock Protection** Operating, IEC 60068-2-27, 50G, half sine, 11ms
- **Vibration Protection** Operating, IEC 60068-2-64, 1Grms, random, 5 ~ 500Hz, 1 hr/axis
- **Ingress Protection** IP40

## Application Software

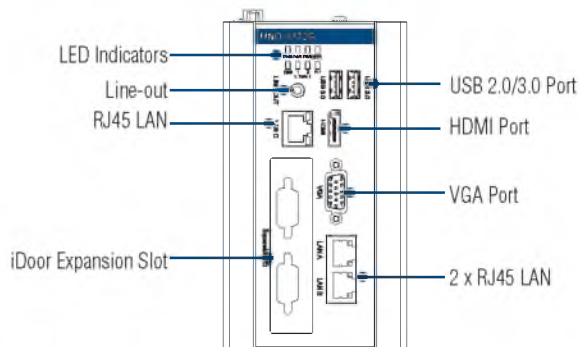
	<p>Version : V2.1 or above</p> <p>An innovative remote device management software, allowing efficient remote monitoring, quick recovery &amp; backup, and real-time remote configuration, to create a more intelligent and interconnected embedded computing solution.</p>
	<p>Version : V7.1 or above</p> <p>WebAccess, as the core of Advantech's IoT solution, is full web browser-based software package for HMI and SCADA software. All HMI and SCADA software features including: Animated Graphics Displays, Real-time Data, Control, Trends, Alarms and Logs, are available in a standard web browser. WebAccess is built around the latest internet technologies. With its open architecture, vertical domain applications can easily be integrated.</p>
	<p>Version : V2.0.3.8 or above</p> <p>Panel Express, a windows based HMI mini SCADA, realizes the cross platform flexibility offered by WebOP Designer to switch hardware for the consideration of cost and performance become an easy job. Panel Express software provides the best economic and express solution for data intensive high-end HMI applications.</p>
	<p>Version : V2.0.3.8 or above</p> <p>An easy to use integrated development tool featuring solution-oriented screen objects, high-end graphics, Windows fonts for multi-language applications. WebOP runtime, a part of WebOP Designer, guarantees reliability and performance because of the minimum system overhead, high communication data rates, and sub-second screen switching.</p>

## Dimensions

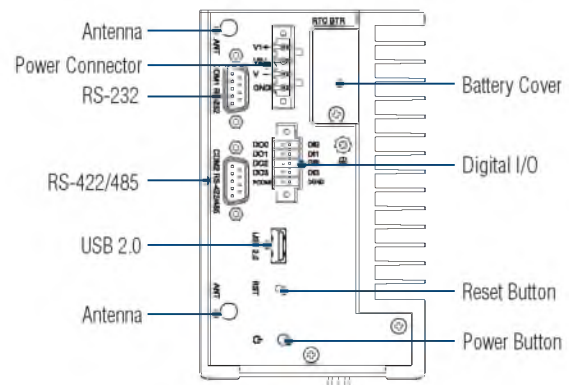
Unit: mm



## Front I/O View



## Top I/O View



## Ordering Information

- **UNO-1372G-E3AE** Intel Atom Quad-Core 1.91GHz, 4GB, 3 x LAN, 2 mPCIe, iDoor

## iDoor Modules

- **PCM-23C1CF-AE** 1 CFast Slot with Cover Protection
- **PCM-23U1DG-AE** USB Slot w/ Lock for USB Dongle
- **PCM-24R2GL-AE** 2-Port Gigabit Ethernet, mPCIe, RJ45
- **PCM-24U2U3-AE** 2-Port USB 3.0, mPCIe, USB-A type
- **PCM-24D2R4-AE** 2-Port Isolated RS-422/485 mPCIe, DB9
- **PCM-24D4R4-AE** 4-Port Non-Isolated RS-422/485 mPCIe, DB37
- **PCM-24S2WF-AE** WiFi 802.11 a/b/g/n 2T2R w/ Bluetooth4.0, Half-size mPCIe, 2-port SMA
- **PCM-24S23G-AE** Wide-Temp 3.75G HSPA and GPS, 2-in-1, Full-size mPCIe w/ Redundant SIM Card holder, 2-port SMA
- **PCM-26R2PN-MAE** 2-Port Hilscher netX100 FieldBus mPCIe, PROFINET, RJ45, Master
- **PCM-26R2PN-SAE** 2-Port Hilscher netX100 FieldBus mPCIe, PROFINET, RJ45, Slave
- **PCM-26D1DB-MAE** 1-Port Hilscher netX100 FieldBus mPCIe, PROFIBUS, DB9, Master
- **PCM-26D1DB-SAE** 1-Port Hilscher netX100 FieldBus mPCIe, PROFIBUS, DB9, Slave

## Accessories

- **1757002321** 63WC to DC UNO series power adapter (Industrial Grade)
- **PWR-249-AE** 65W AC to DC power adapter (Commercial Grade)
- **1702002600** Power Cable US Plug 1.8 M (Industrial Grade)
- **1702002605** Power Cable EU Plug 1.8 M (Industrial Grade)
- **1702031801** Power Cable UK Plug 1.8 M (Industrial Grade)
- **1700000596** Power Cable China/Australia Plug 1.8 M (Industrial Grade)
- **1700001524** Power Cable 3-pin US type 1.8 M (Commercial Grade)
- **170203183C** Power Cable 3-pin EU type 1.8 M (Commercial Grade)
- **170203180A** Power Cable 3-pin UK type 1.8 M (Commercial Grade)

## Embedded OS & Automation Software

- **2070013467** Image WES7P X64 MUI. for UNO-1372G
- **2070013468** Image Linux for UNO-1372G
- **968WEXP003X** PanelExpress V2.0 300 tags S/W license
- **968WEXP015X** PanelExpress V2.0 1500 tags S/W license
- **968WEXP050X** PanelExpress V2.0 5000 tags S/W license

# UNO-1483G

Intel® Core™ i3 Regular-Size Control  
DIN-Rail PC w/ 4 x GbE, 3 x mPCIe,  
1 PCIe, DP/VGA, 8 DI/O

NEW



## Features

- 4th Generation Intel® Core™ i3 Processors up to 1.7GHz with 8GB DDR3L Memory
- 4 x GbE, 4 x USB 2.0/3.0, 1 x RS-232, 2 x RS-422/485, 1 x VGA, 1 x DP, Audio
- Compact with Fanless Design
- Supports PCIe card, PoE iDoor module and Digital I/O for Machine Motion/Vision application
- Dual Power Input and Remote Power Button for reducing power down time and remote power control
- 4G/3G/GPS/GPRS/Wi-Fi Communication by iDoor Technology
- Supports MRAM by iDoor Technology
- Chassis Grounding Protection
- Hot-Swap RTC battery with easily access at top side
- Supports Fieldbus Protocol by iDoor Technology

## Introduction

The UNO-1483G is an Intel 4th generation Core i3 DIN-Rail controller. This controller featured with dual power input that shorten the down time to enhance operation excellence. The general purpose input/output ports also help machine builder integrate direct control of start/stop inspection and indicate inspection results. UNO-1483G also equipped with PCIe slot and Advantech iDoor technology that extend this product to motion controller, like motion control card, or isolation control unit from iDoor modules. In companion these features, UNO-1483G featured with 4 gigabyte LAN, 2 USB 3.0, 3 COM, DP, VGA can support essential link for upstream and downstream, for example, PoE connected to IP camera from iDoor.

## Specifications

### General

• <b>Certification</b>	CE, FCC, UL, CCC, BSMI
• <b>Dimensions (W x D x H)</b>	106 x 139 x 198 mm (4.2" x 5.8" x 7.8")
• <b>Form Factor</b>	Regular Size
• <b>Enclosure</b>	Aluminum Housing
• <b>Mounting</b>	DIN-rail, Wallmount
• <b>Weight (Net)</b>	2.4kg (5.3lbs)
• <b>Power Requirement</b>	12V/24V <sub>DC</sub> ± 20%
• <b>Power Consumption</b>	41W (Typical), 60W (Max)
• <b>OS Support</b>	Microsoft® Windows 7/8, WE7/WE8S, Linux

### System Hardware

• <b>BIOS</b>	AMI UEFI 128Mbit Flash BIOS
• <b>Watchdog Timer</b>	Programmable 6 levels timer interval, from 15 to 255 sec
• <b>Processor</b>	Intel® 4th Gen. Core™ i3-4010U ULT 1.7GHz Haswell Dual Core, 3MB L2 Core i7-4650U/i5-4300U/Celeron 2980U by project Integrated Intel 8 Series Chipset On-board 8GB DDR3L 1333/1600 MHz
• <b>System Chip</b>	Intel® HD Graphics 4400
• <b>Memory</b>	Intel® i210-IT GbE
• <b>Graphics Engine</b>	Intel® i218-LM GbE
• <b>Ethernet</b>	LEDs for Power, battery, LAN (Active, Status), Tx/Rx and HDD
• <b>LED Indicators</b>	One drive bay for SATA 2.5" HDD (Compatible with 9.5mm height HDD)
• <b>Storage</b>	CFast drive by iDoor Technology (Optional)
• <b>Expansion</b>	2 x Full-size mPCIe slot, mPCIe 2.0 (1 supports mSATA/SIM card) 1 x Half-size mPCIe slot w/o USB signal 1x PCIe slot with x1 signal

### I/O Interfaces

• <b>Serial Ports</b>	1 x RS-232, DB9, 50-115.2kbps 2 x RS-422/485, DB9, auto flow control, 50-115.2kbps
• <b>LAN Ports</b>	4 x RJ45, 10/100/1000 Mbps IEEE 802.3u 1000Base-T Fast Ethernet, support Jumbo Frame
• <b>USB Ports</b>	4 x USB Ports (2 x USB2.0, 2 x USB3.0 compliant)
• <b>Displays</b>	1 x VGA, supports 1920x1200@60Hz 24bpp 1 x DP 1.2, supports 1920x1080@60Hz 24bpp
• <b>Audio</b>	Line-Out
• <b>Power Connector</b>	1 x 7 Pins, Terminal Block to support dual power input and remote power control
• <b>Grounding Protection</b>	Chassis Grounding

### Digital I/O

- **4-ch digital input** Wet/dry contact with Isolation Protection 2,500 V<sub>DC</sub>
- **4-ch digital output** Compatible 5 V/TTL, Capable Sink: 24 mA max. per channel

### Environment

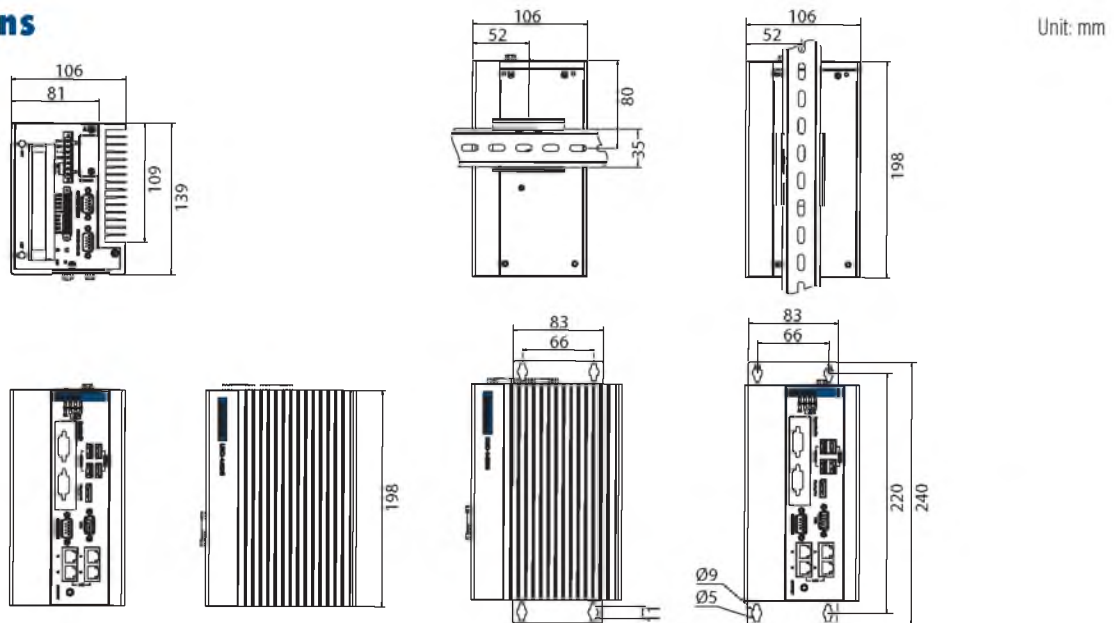
- **Operating Temperature** - 20 ~ 60°C (-4 ~ 140°F) @ 5 ~ 85% RH with 0.7m/s airflow (Industry SSD)
- **Storage Temperature** - 40 ~ 85°C (-40 ~ 185°F)
- **Relative Humidity** 10 ~ 95% RH @ 40°C, non-condensing
- **Shock Protection** Operating, IEC 60068-2-27, 50G, half sine, 11ms
- **Vibration Protection** Operating, IEC 60068-2-64, 1Grms, random, 5 ~ 500Hz, 1 hr/axis

## Application Software

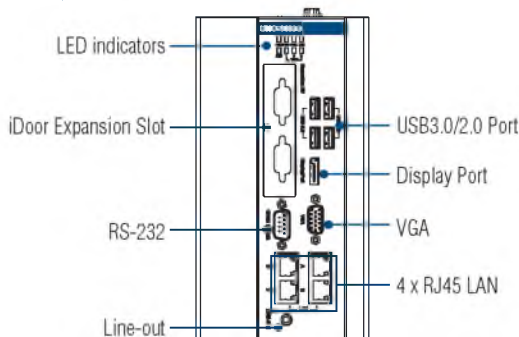
	Version : V2.1 or above An innovative remote device management software, allowing efficient remote monitoring, quick recovery & backup, and real-time remote configuration, to create a more intelligent and interconnected embedded computing solution.
	Version : V7.1 or above WebAccess, as the core of Advantech's IoT solution, is full web browser-based software package for HMI and SCADA software. All HMI and SCADA software features including: Animated Graphics Displays, Real-time Data, Control, Trends, Alarms and Logs, are available in a standard web browser. WebAccess is built around the latest internet technologies. With its open architecture, vertical domain applications can easily be integrated.
	Version : V2.0.3.8 or above Panel Express, a windows based HMI mini SCADA, realizes the cross platform flexibility offered by WebOP Designer to switch hardware for the consideration of cost and performance become an easy job. Panel Express software provides the best economic and express solution for data intensive high-end HMI applications.
	Version : V2.0.3.8 or above An easy to use integrated development tool featuring solution-oriented screen objects, high-end graphics, Windows fonts for multi-language applications. WebOP runtime, a part of WebOP Designer, guarantees reliability and performance because of the minimum system overhead, high communication data rates, and sub-second screen switching.



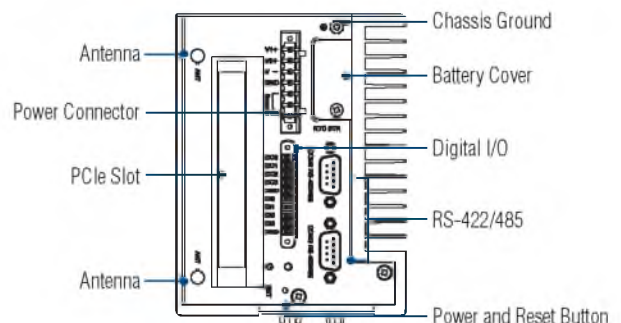
## Dimensions



## Front I/O View



## Top I/O View



## Ordering Information

- **UNO-1483G-434AE** Intel® Core™ i3-4010U ULT 1.7GHz, 8GB, 4 x LANs, 2 x mPCIe, 1 PCIe Slot

**Note:**

- \* Processor i7-4650U/i5-4300U/Celeron 2980U reserved for project.
- \* Support PCI expansion by project base.

## Accessories

- **PWR-244-AE** 96W AC to DC power adapter (Commercial Grade)
- **1700001524** Power cable 3-pin US type 1.8 M (Commercial Grade)
- **170203183C** Power cable 3-pin EU type 1.8 M (Commercial Grade)
- **170203180A** Power cable 3-pin UK type 1.8 M (Commercial Grade)
- **SQF-SMSM4-16G-S8E** SQF MSATA 820 16G MLC 4-CH (-40~85°C)

## Embedded OS & Automation Software

- **2070013050** Image WES7P X64 MUI. for UNO-1483G
- **2070013219** Image Linux for UNO-1483G
- **968WEXP003X** PanelExpress V2.0 300 tags S/W license
- **968WEXP015X** PanelExpress V2.0 1500 tags S/W license
- **968WEXP050X** PanelExpress V2.0 5000 tags S/W license
- **968EMLSAP2** SUSIAccess Pro V2.0 Package CD/ download card/flyer

## iDoor Modules

- **PCM-24U2U3-AE** 2-Port USB 3.0, mPCIe, USB-A type
- **PCM-24R2PE-AE** 2-Port Gigabit Ethernet, IEEE 802.3af (PoE) Compliant, mPCIe, RJ45
- **PCM-24R2GL-AE** 2-Port Gigabit Ethernet, mPCIe, RJ45
- **PCM-24D2R4-AE** 2-Port Isolated RS-422/485 mPCIe, DB9
- **PCM-24D4R4-AE** 4-Port Non-Isolated RS-422/485 mPCIe, DB37
- **PCM-24S2WF-AE** WiFi 802.11 a/b/g/n 2T2R w/ Bluetooth4.0, Half-size mPCIe, 2-port SMA
- **PCM-26R2PN-MAE** 2-Port Hilscher netX100 FieldBus mPCIe, PROFINET, RJ45, Master
- **PCM-26R2PN-SAE** 2-Port Hilscher netX100 FieldBus mPCIe, PROFINET, RJ45, Slave
- **PCM-26R2EC-MAE** 2-Port Hilscher netX100 FieldBus mPCIe, EtherCAT, RJ45, Master
- **PCM-26R2EC-SAE** 2-Port Hilscher netX100 FieldBus mPCIe, EtherCAT, RJ45, Slave
- **PCM-26R2EI-MAE** 2-Port Hilscher netX100 FieldBus mPCIe, EtherNet/IP, RJ45, Master
- **PCM-26R2EI-SAE** 2-Port Hilscher netX100 FieldBus mPCIe, EtherNet/IP, RJ45, Slave
- **PCM-26D1DB-MAE** 1-Port Hilscher netX100 FieldBus mPCIe, PROFIBUS, DB9, Master
- **PCM-26D1DB-SAE** 1-Port Hilscher netX100 FieldBus mPCIe, PROFIBUS, DB9, Slave

# UNO-1019

Marvell® XScale® DIN-rail PC with  
2 x LAN, 4 x COM, 2 x DI, 2 x DO



## Features

- Marvell® XScale® PXA-255 200 MHz Processor
- 64 MB SDRAM on board, 32 MB Flash
- 2 x RS-232, 2 x RS-232/422/485 Serial Ports
- Dual 10/100 Mbps Ethernet
- 1 x CompactFlash® for DATA storage
- Windows® CE 5.0 Ready Platform and optional uClinux OS support
- Included Advantech DaigAnywhere for Easy Configuration
- DIN-rail and Wallmounting Options
- Onboard system & I/O LED indicators
- Supports Microsoft .NET compact framework 2.0 (WinCE 5.0 only)
- Fanless and no internal cabling design

## Introduction

Advantech's UNO-1019 is a RISC-grade embedded platform that offers 2 LANs, 4 serial ports and 4 Digital Inputs/Outputs and a CompactFlash slot. UNO-1019 also comes with Windows CE 4.2/5.0 OS, offering a pre-built image onboard. Additionally, UNO-1019 operates under 0 ~ 70° C, and its small size and lightweight design allows it to be installed in tight industrial environments. UNO-1019 is an excellent communication gateway for converting communication protocols, I/O control, and data storage in the industrial field.

## Specifications

### General

- **Certifications** CE, FCC Class A
- **Dimensions (W x H x D)** 46 x 162 x 126 mm (1.8" x 6.4" x 5")
- **Enclosure** ABS+PC with solid mounting hardware
- **Mounting** DIN-rail, wallmount
- **Power Consumption** 8.5 W
- **Power Input** 10 ~ 30 V<sub>DC</sub> (13 W), AT
- **Weight** 400 g

### System Hardware

- **CPU** 32-bit Marvell XScale PXA255 200 MHz
- **Memory** Onboard 64 MB SDRAM
- **Indicators** Power, Serial (Tx, Rx), 3 x User Defined LEDs
- **Storage** Onboard 16 or 32 MB Flash Memory  
SSD: 1 x external type I/II CompactFlash® slot
- **Other** Realtime clock, Watchdog timer

### System Software

- **Operating System** WinCE 4.2 for UNO-1019ACE-A1E  
WinCE 5.0 for UNO-1019ACE-A2E
- **Remote Management** Built-in Advantech DiagAnywhere agent on Windows CE

### Communications

- **Serial Ports** 2 x RS-232, 2 x RS-232/422/485 with DB9 connectors, Automatic RS-485 data flow control
- **Serial Port Speed** RS-232: 300 ~ 115.2 kbps  
RS-422/485: 300 ~ 115.2 kbps (Max)
- **LAN** 2 x 10/100 Base-T RJ-45 ports

### Digital Input/Digital Output

- **Digital Inputs** 2 x Digital Inputs  
Dry contact  
Logic level 0: Open  
Logic level 1: Close  
Wet contact  
Logic level 0: +3 V max  
Logic level 1: +10 V<sub>DC</sub> to 30 V<sub>DC</sub>
- **Digital Outputs** 2 x Digital Outputs  
Open Collect to 30 V  
200 mA max Load, power dissipation 450 mW

### Environment

- **Operating Temperature** 0 ~ 70° C (32 ~ 158° F)
- **Storage Temperature** -20 ~ 80° C (-4 ~ 176° F)
- **Operating Humidity** 20 ~ 95% (non-condensing)
- **Storage Humidity** 0 ~ 95% (non-condensing)

## Ordering Information

- **UNO-1019ACE-A1E** XScale DIN-rail PC w/ 16MB Flash Memory
- **UNO-1019ACE-A2E** XScale DIN-rail PC w/ 32MB Flash Memory
- **PCLS-DIAGAW10** Advantech Remote Monitoring & Diagnosis Utility

# UNO-1150GH

# UNO-1150GHE

**Class I, Division 2 Certified AMD Geode™ LX  
DIN-rail PC with 2 x LAN, 3 x COM**

**Class I, Division 2 Certified AMD Geode™ LX  
DIN-rail PC with 2 x LAN, 3 x COM, PCI-104**



UNO-1150GH

UNO-1150GHE



## Features

- UL listed for Hazardous Locations: Class 1, Division 2
- Onboard AMD Geode LX800 (500 MHz) CPU
- One RS-232 and two RS-232/422/485 ports with automatic flow control.
- Two 10/100 Base-T RJ-45 ports
- Two USB, audio and internal CompactFlash®
- Compact size, small foot print, saves space and front accessible for easy wiring
- DIN-rail design for easy installation in field cabinet
- Wide operating temperature range
- Windows® CE 5.0/6.0, Windows XP Embedded, and Linux ready solution
- Fanless desing with no internal cabling
- Isolation between chassis and power ground

## Introduction

In hazardous locations, devices are under potential danger from flammable gases, combustible dust, or ignitable fibers, creating the potential for fire and explosions. The UNO-1150GH and UNO-1150GHE are designed to be safely operated in these locations and are UL listed for Hazardous Locations with Class I, Division 2, groups A, B, C, D & T3A certification. The UNO-1150GH and UNO-1150GHE are DIN-rail mounted and provide several serial communication ports and Ethernet interfaces with a compact size to save space. They are also front accessible for easy installation in field cabinets.

## Specifications

### General

- **Certification** CE, FCC Class A, UL, CCC
- **Hazardous Locations** US: ANSI/ISA 12.12.01-2007 cUL: CSA 22.2 No. 213 M1987, Class I, Division 2, Groups A,B,C,D, Hazardous Location, Temperature code: T3A, Ambient Temperature Range:  $-10^{\circ}\text{C} \leq T_{\text{amb}} \leq 60^{\circ}\text{C}$
- **Dimensions (W x H x D)** UNO-1150GH: 71 x 152 x 139 mm (2.8" x 6" x 5.5")  
UNO-1150GHE: 96.5 x 152 x 139 mm (3.8" x 6" x 5.5")
- **Enclosure** Aluminum + SECC
- **Mounting** DIN-rail, Wallmount
- **Power Consumption** 15 W (Typical)
- **Power Requirement** 9 (Min.) ~ 36 (Max.) VDC (e.g +24 V @ 1 A) (Min. 24 W), AT
- **Weight** UNO-1150GH: 1.6 kg  
UNO-1150GHE: 2.0 kg
- **OS Support** WES Windows XP Embedded, Windows 2000 & XP, Windows CE 5.0/6.0, Linux QNX
- **System Design** Fanless with no internal cabling
- **Remote Management** Built-in Advantech DiagAnywhere agent on Windows CE / XPe

### System Hardware

- **CPU** AMD Geode LX 800 (500MHz)
- **Memory Onboard** 256 MB DDR SDRAM
- **Indicators** LEDs for Power, IDE, LAN (Active, Status) and Serial (Tx, Rx)  
Buzzer for Diagnosis (programmable)  
1 x PS/2
- **Keyboard/Mouse** 1 x PS/2
- **Storage** SSD: 1 x internal type I/II CompactFlash® slot  
HDD: 2.5" SATA HDD bracket (UNO-1150GHE)
- **PC/104 Slot** 2x PCI-104 slot, supports 3.3 V & +5 V  
(Only UNO-1150GHE, one PCI-104 while using HDD)  
1x MiniPCI (UNO-1150GHE only)
- **Mini PCI**
- **Display** DB15 VGA connector, supports up to 1024 x 768 @ 60 Hz
- **Audio** Line in, Line out
- **Watchdog Timer** Programmable 256 level timer interval, 1 to 255 sec

### I/O Interface

- **Serial Ports** 2 x RS-232 (one pin header reserved),  
2 x RS-232/422/485 with DB9 connectors, Automatic RS-485 data flow control RS-232/422/485 ports support hardware 128 byte FIFO
  - **Serial Port Speed** RS-232 port: 50 ~ 115.2 kbps  
RS-232/422/485 port: RS-232, 300 ~ 115.2 kbps  
RS-232/422/485 port: RS-422/485, 300 ~ 921.6 kbps (Max)
  - **LAN** 2 x 10/100 Base-T RJ-45 ports
  - **USB** 2 x USB, OpenHCI, Rev. 1.1 compliant
  - **Printer Port** 1 x Printer Port pin head
- \*Note: This function is optional for project request

### Environment

- **Ingress Protection** IP40
- **Operating Temperature** (IEC 60068-2-2, 100% CPU/ I/O loading)  
-10 ~ 60°C (14 ~ 140°F)
- **Storage Temperature** -20 ~ 80°C (-4 ~ 176°F)
- **Operating Humidity** 20 ~ 95% (non-condensing)
- **Storage Humidity** 0 ~ 95% (non-condensing)
- **Shock Protectio** IEC 60068- 2-27  
CompactFlash®: 50 G @ wall mount, half sine, 11 ms  
HDD: 20 G @ wall mount, half sine, 11 ms  
(Only for UNO-1150GHE)
- **Vibration Protection** IEC 60068- 2-64 (Random 1 Oct./min, 1hr/axis.)  
CompactFlash®: 2 Grms @ 5 ~ 500 Hz  
HDD: 1Grms@ 5 ~ 500 Hz (UNO-1150GHE)

## Ordering Information

- **UNO-1150GH-G30E** CID2 LX800 500 MHz, 256 MB DIN-rail PC
- **UNO-1150GHE-G30E** CID2 LX800 500 MHz, 256 MB DIN-rail PC w/PCI-104

### Accessories

- **UNO-FPM11-BE** UNO-1100 Series VESA Mount kit
- **PCLS-DIAGAW10** Advantech Remote Monitoring & Diagnosis Utility
- **UNO-ANT11-AE** Antenna kit for UNO-1100 Series



# UNO-1170A/AE

Intel® Atom™ N270 DIN-rail  
PCs with 2 x LAN, 3 x COM,  
4 x USB, PC/104+



## Features

- Onboard Intel Atom N270 1.6 GHz processor
- Onboard 512 KB battery-backup SRAM
- Onboard system & I/O LED indicators
- 2 x RS-232 and 1 x RS-232/422/485 ports with automatic flow control
- 2 x 10/100Base-T RJ-45 ports
- 3 x external USB and 1 x internal USB for dongle and flash drive
- PC/104+ expansion slots option
- DIN-rail design for easy installation in field cabinet
- Windows® CE 6.0, Windows WES 2009, and Linux ready solution
- Supports boot from LAN function
- Fanless design with no internal cabling
- Isolation between chassis and power ground

## Introduction

The UNO-1170A/AE are DIN-rail PCs that provide several serial communication ports and Ethernet interfaces. With their compact size, small footprint, and front accessibility, the UNO-1170A/AE are convenient for wiring and easy to install in field cabinets. With rich OS and driver supports, such as Windows WES 2009, WinCE 6.0, and even embedded Linux, the UNO-1170A/AE are application-ready platforms that provide versatile functionality.

## Specifications

### General

- **Certification** CE, FCC Class A, UL, CCC
- **Dimensions (W x H x D)** UNO-1170A: 85.5 x 152 x 139 mm (3.4" x 6.0" x 5.5")  
UNO-1170AE: 111 x 152 x 139 mm (4.4" x 6.0" x 5.5")
- **Enclosure** Aluminum + SECC
- **Mounting** DIN-rail, Wallmount
- **Power Consumption** 24 W (Typical)
- **Power Requirement** 10 – 36 V<sub>DC</sub> (e.g. +24 V @ 2 A) (Min. 48 W), AT
- **Weight** UNO-1170A: 1.6 kg  
UNO-1170AE: 2.0 kg
- **OS Support** Windows WES 2009, Windows XP, Windows 7, Windows CE 5.0/6.0, Linux, QNX
- **System Design** Fanless with no internal cabling
- **Remote Management** Built-in Advantech DiagAnywhere agent on Windows CE / WES 2009

### System Hardware

- **CPU** Intel Atom N270 1.6 GHz
- **Memory** 1 GB DDR2 SDRAM Built-in
- **Battery Backup SRAM** 512 KB
- **Indicators** LEDs for Power, IDE, LAN (Active, Status), Serial (Tx, Rx), Alarm for battery backup SRAM and diagnosis (programmable)  
Buzzer for Diagnosis (programmable)
- **Keyboard/Mouse** 1 x PS/2
- **Storage** SSD: 1 x internal type I/II CompactFlash slot  
HDD: one 2.5" SATA HDD bracket
- **PC/104 Slot** 1 x PC/104+ slot, supports up to 2 x PC/104+ cards (3.3V & 5V)  
(Only for UNO-1170AE, one PC/104+ left while using HDD)
- **Mini PCI** 1 x Mini PCI (UNO-1170AE)
- **Display** DB15 VGA connector, 1600 x 1200 @ 85 Hz
- **Audio** Line in, Line out
- **Watchdog Timer** Programmable 256 level timer interval, from 1 to 255 sec

### I/O Interface

- **Serial Ports** 2 x RS-232, 1 x RS-232/422/485 with DB9 connectors, automatic RS-485 data flow control  
1 x pin header RS-232
- **Serial Port Speed** RS-232: 50 ~ 115.2 kbps  
RS-422/485: 50 ~ 921.6 kbps (Max)
- **LAN** 2 x 10/100Base-T RJ-45 ports (Built-in boot ROM in flash BIOS)
- **USB** 4 x USB, EHCI, Rev. 2.0 compliant (1 is for USB dongle inside chassis)

### Environment

- **Operating Temperature** (IEC 60068-2-2, 100% CPU/ I/O loading)  
-10 ~ 60°C (14 ~ 140°F)
- **Storage Temperature** -20 ~ 80°C (-4 ~ 176°F)
- **Ingress Protection** IP40
- **Operating Humidity** 20 ~ 95% (non-condensing)
- **Storage Humidity** 0 ~ 95% (non-condensing)
- **Shock Protection** IEC 60068-2-27  
CompactFlash: 50 G @ wall mount, half sine, 11 ms  
HDD: 20 G @ wall mount, half sine, 11 ms (UNO-1170AE)
- **Vibration Protection** IEC 60068-2-64 (Random 1 Oct./min, 1hr/axis.)  
CompactFlash®: 2 Grms @ 5 ~ 500 Hz  
HDD: 1 Grms @ 5 ~ 500 Hz (UNO-1170AE)

## Ordering Information

- **UNO-1170A-A12E** Intel Atom N270 1.6 GHz, 1 GB RAM DIN-rail PC
- **UNO-1170AE-A12E** Intel Atom N270 1.6 GHz, 1 GB RAM, DIN-rail PC w/ PC/104+

### Accessories

- **UNO-FPM11-BE** UNO-1100 series VESA mount kit
- **PCLS-DIAGAW10** Advantech Remote Monitoring & Diagnosis Utility

# UNO-1172A/AE

Intel® Atom™ D510 DIN-rail PCs  
with 3 x LAN, 2 x COM, VGA,  
Mini PCIe, PC/104+



## Features

- Onboard Intel Atom D510 1.66 GHz processor
- Onboard 1 MB battery-backup SRAM
- Onboard system & I/O LED indicators
- System diagnosis through LED and digital output, remote power control through digital input
- 2 x RS-232/422/485 ports with automatic flow control
- 3 x 10/100/1000Base-T RJ-45 ports with teaming function support
- 4 x external USB
- PC/104+ expansion slots option
- 1 x Mini PCIe slot for WLAN card and Fieldbus card
- Windows® 7, Windows CE, XP Embedded and Linux support
- Supports Boot from LAN function
- Fanless design with no internal cabling
- Isolation between chassis and power ground

## Introduction

The UNO-1172A/AE are Intel Atom DIN-rail PCs with innovative system diagnostic features. The system diagnosis and remote power control through digital input lines enable users to control and monitor system status remotely. They also provide alarm notices including over temperature, over voltage, battery power fail, power status on both system onboard LED and digital output. Three Gigabit Ethernet interfaces with teaming function support allow users to uplink two ports with data transmit fault tolerance and downlink one port to field devices. Their compact size, small foot print, front accessible I/Os allow convenient wiring and easy installation in field cabinets as well.

## Specifications

### General

- Certification** CE, FCC Class A, UL, CCC
- Dimensions (W x H x D)** UNO-1172A: 85.5 x 152 x 139 mm (3.4" x 6.0" x 5.5")  
UNO-1172AE: 111 x 152 x 139 mm (4.4" x 6.0" x 5.5")
- Enclosure** Aluminum + SECC
- Mounting** DIN-rail, Wallmount
- Power Consumption** 24 W (Typical)
- Power Requirement** 10 ~ 36 V<sub>DC</sub> (e.g +24 V @ 2 A) (Min. 48 W), AT/ATX power mode by Jumper selection and BIOS AT simulation (support system reboot automatically after power recovery)
- Weight** UNO-1172A: 1.6 kg  
UNO-1172AE: 2.0 kg
- OS Support** WES Windows XP Embedded, Windows XP & Windows 7, Windows CE 5.0/6.0, Linux, QNX
- System Design** Fanless design with no internal cabling
- Remote Management** Built-in Advantech DiagAnywhere agent on Windows CE / XPe

### System Hardware

- CPU** Intel Atom D510 1.66 GHz
- Memory** 2 GB DDR2 SDRAM built-in
- Battery Backup SRAM** 1 MB
- Indicators** System: LEDs for Power, CF, LAN (Active, Status), Serial (Tx, Rx), Diagnosis /Alarm: over system temperature, over voltage, alarm for battery backup SRAM, alarm for RTC battery, Programmable (while disable Serial Tx&Rx), Buzzer for Diagnosis (programmable)
- Keyboard/Mouse** 1 x PS/2
- Storage** SSD: 1 x internal type I/II CompactFlash slot  
HDD: one 2.5" SATA HDD bracket
- PC/104 Slot** 2 x PC/104+ slot, supports 3.3 V & +5 V (Only for UNO-1172AE, one PC/104+ with HDD)
- Mini PCI** 1 x Mini PCI (UNO-1172AE)
- Display** DB15 VGA connector, 1600 x 1200 @ 85 Hz
- Audio** 5.1 channel HD Audio, Mic in, Line in, Line out
- Watchdog Timer** Programmable 7-tier event handler, from 1 to 255 seconds for each tier
- Mini PCIe** 1 x Mini PCIe

### I/O Interface

- Serial Ports** 2 x RS-232/422/485 with DB9 connectors, automatic RS-485 data flow control  
2 x RS-232 (Optional, pin header)
- Serial Port Speed** RS-232: 50 ~ 115.2 kbps  
RS-422/485: 50 ~ 115.2 kbps (Max)
- LAN** 3 x 10/100/1000Base-T RJ-45 ports (supports Wake on LAN, built-in boot ROM)
- USB** 4 x USB, EHCI, Rev. 2.0 compliant
- Digital Input** 2-ch. wet/dry contact, 70 V<sub>DC</sub> over-voltage protection, 0 ~ 50 V<sub>DC</sub> input range and Interrupt handling
- Digital Output** 6-ch DO- 200 mA max/channel sink current  
- Keep output status after system hot reset  
- 5 ~ 40 V<sub>DC</sub> output range and 10 kHz speed
- System Diagnoses** Remote monitoring: over system temperature, over voltage, battery power fail, power status  
Remote control: Power On/Off, Reset

### Environment

- Ingress Protection** IP40
- Operating Temperature** (IEC 60068-2-2, 100% CPU/I/O loading)  
-10 ~ 65°C (14 ~ 149°F)  
-20 ~ 80°C (-4 ~ 176°F)
- Storage Temperature** -20 ~ 80°C (-4 ~ 176°F)
- Operating Humidity** 20 ~ 95% (non-condensing)
- Storage Humidity** 0 ~ 95% (non-condensing)
- Shock Protection** IEC 60068-2-27  
CompactFlash: 50 G @ wall mount, half sine, 11 ms  
HDD: 20 G @ wall mount, half sine, 11 ms
- Vibration Protection** IEC 60068-2-64 (Random 1 Oct./min, 1hr/axis.)  
CompactFlash: 2 Grms @ 5 ~ 500 Hz  
HDD: 1 Grms @ 5 ~ 500 Hz

## Ordering Information

- UNO-1172A-A33E** Intel Atom D510 1.66 GHz, 2 GB RAM DIN-rail PC
- UNO-1172AE-A33E** Intel Atom D510 1.66 GHz, 2 GB RAM DIN-rail PC w/ PC/104+

### Accessories

- UNO-FPM11-BE** UNO-1100 Series VESA Mount Kit
- PCLS-DIAGAW10** Advantech Remote Monitoring & Diagnosis Utility

# UNO-1172AH

Class I, Division 2 Certified Intel®  
Atom™ D510 DIN-rail PC

NEW



## Introduction

In hazardous locations, devices are under potential danger from flammable gases, combustible dust, or ignitable fibers, creating the potential for fire and explosions. The UNO-1172AH is designed to be safely operated in these locations and are UL listed for Hazardous Locations with Class I, Division 2, groups A, B, C, D & T5 certification. The UNO-1172AH is an Intel Atom DIN-rail PC which features an innovative system diagnosis feature for automation applications. It provides alarms for over temperature, over voltage, battery power fail, power status on both system onboard LED and Digital output. It also includes remote power control through digital input. These system diagnosis features enable control and monitoring of system status remotely. Three Gigabit Ethernet interfaces with teaming function support allow users to uplink two ports with data transmission fault tolerance and downlink one port to field device.

## Specifications

### General

- Certification** CE, FCC Class A, UL, CCC
- Hazardous Locations** US: ANSI/ISA 12.12.01-2007 cUL: CSA 22.2 No. 213 M1987, Class I, Division 2, Groups A,B,C,D, Hazardous Location, Temperature code: T5, Ambient Temperature Range:  $-10^{\circ}\text{C} \leq T_{\text{amb}} \leq 60^{\circ}\text{C}$   
UNO-1172AH:  $85 \times 152 \times 139 \text{ mm}$  (3.4" x 6" x 5.5")
- Dimensions (W x H x D)** Aluminum + SECC
- Enclosure** DIN-rail, Wallmount
- Mounting** 24 W (Typical)
- Power Consumption** 10 ~ 36 V<sub>DC</sub> (e.g +24 V @ 2 A) (Min. 48 W), AT/ATX power mode by Jumper selection and BIOS AT simulation (support system reboot automatically after power recovery)
- Power Requirement** 1.6 kg
- Weight** WES Windows XP Embedded, Windows XP & Windows 7, Windows CE 5.0/6.0, Linux, QNX
- OS Support** Fanless design with no internal cabling
- System Design** Built-in Advantech DiagAnywhere agent on Windows CE / XPe
- Remote Management**

### System Hardware

- CPU** Intel Atom D510 1.66 GHz
- Memory** 2 GB DDR2 SDRAM built-in
- Battery Backup SRAM** 1 MB
- Indicators** System: LEDs for Power, CF, LAN (Active, Status), Serial (Tx, Rx), Diagnosis /Alarm: over system temperature, over voltage, alarm for battery backup SRAM, alarm for RTC battery, Programmable (while disable Serial Tx&Rx), Buzzer for Diagnosis (programmable)
- Keyboard/Mouse** 1 x PS/2
- Storage** SSD: 1 x internal type I/II CompactFlash slot  
HDD: one 2.5" SATA HDD bracket  
DB15 VGA connector, 1600 x 1200 @ 85 Hz
- Display** 5.1 channel HD Audio, Mic in, Line in, Line out
- Audio** Programmable 256 levels timer interval, from 1 to 255 sec
- Watchdog Timer** 1 x PCI express mini card slot
- Mini PCIe**

## Features

- UL listed for Hazardous Locations: Class I, Division 2
- Onboard Intel Atom D510 1.66 GHz
- Onboard 1 MB battery-backup SRAM
- System diagnosis through led and digital output, remote power control through digital input
- 2 x RS-232/422/485 ports with automatic flow control
- 3 x 10/100/1000Base-T RJ-45 ports with teaming function support
- 4 x external USB
- PC/104+ expansion slots option
- 1 x Mini PCIe slot for WLAN card and Fieldbus card
- Windows 7, Windows CE, XP Embedded and Linux support
- Fanless design with no internal cabling
- Isolation between chassis and power ground

### I/O Interface

- Serial Ports** 2 x RS-232/422/485 with DB9 connectors, automatic RS-485 data flow control  
2 x RS-232 (Optional, pin header)
- Serial Port Speed** RS-232: 50 ~ 115.2 kbps  
RS-422/485: 50 ~ 115.2 kbps (Max)
- LAN** 3 x 10/100/1000Base-T RJ-45 ports (supports Wake on LAN and built-in boot ROM)
- USB** 4 x USB, EHCI, Rev. 2.0 compliant
- Digital Input** 2-ch. wet/dry contact, 70 V<sub>DC</sub> over-voltage protection, 0 ~ 50 V<sub>DC</sub> input range and Interrupt handling
- Digital Output** 6-ch DO  
- 200 mA max/channel sink current  
- Keep output status after system hot reset  
- 5 ~ 40 V<sub>DC</sub> output range and 10 kHz speed
- System Diagnoses** Remote monitoring: over system temperature, over voltage, battery power fail, power status  
Remote control: Power On/Off, Reset

### Environment

- Ingress Protection** IP40
- Operating Temperature** (IEC 60068-2-2, 100% CPU/I/O loading)  
-10 ~ 60°C (14 ~ 140°F)
- Storage Temperature** -20 ~ 80°C (-4 ~ 176°F)
- Operating Humidity** 20 ~ 95% (non-condensing)
- Storage Humidity** 0 ~ 95% (non-condensing)
- Shock Protection** IEC 60068- 2-27  
CompactFlash: 50 G @ wall mount, half sine, 11 ms  
HDD: 20 G @ wall mount, half sine, 11 ms
- Vibration Protection** IEC 60068- 2-64 (Random 1 Oct./min, 1hr/axis.)  
CompactFlash: 2 Grms @ 5 ~ 500 Hz  
HDD: 1 Grms @ 5 ~ 500 Hz

## Ordering Information

- UNO-1172AH-A33E** CID2 Intel Atom D510 1.66 GHz, 2 GB RAM DIN-rail PC

### Accessories

- UNO-FPM11-BE** UNO-1100 Series VESA Mount Kit
- PCLS-DIAGAW10** Advantech Remote Monitoring & Diagnosis Utility

**По вопросам продаж и поддержки обращайтесь:**

Архангельск (8182)63-90-72  
Астана +7(7172)727-132  
Белгород (4722)40-23-64  
Брянск (4832)59-03-52  
Владивосток (423)249-28-31  
Волгоград (844)278-03-48  
Вологда (8172)26-41-59  
Воронеж (473)204-51-73  
Екатеринбург (343)384-55-89  
Иваново (4932)77-34-06  
Ижевск (3412)26-03-58  
Казань (843)206-01-48

Калининград (4012)72-03-81  
Калуга (4842)92-23-67  
Кемерово (3842)65-04-62  
Киров (8332)68-02-04  
Краснодар (861)203-40-90  
Красноярск (391)204-63-61  
Курск (4712)77-13-04  
Липецк (4742)52-20-81  
Магнитогорск (3519)55-03-13  
Москва (495)268-04-70  
Мурманск (8152)59-64-93  
Набережные Челны (8552)20-53-41

Нижний Новгород (831)429-08-12  
Новокузнецк (3843)20-46-81  
Новосибирск (383)227-86-73  
Орел (4862)44-53-42  
Оренбург (3532)37-68-04  
Пенза (8412)22-31-16  
Пермь (342)205-81-47  
Ростов-на-Дону (863)308-18-15  
Рязань (4912)46-61-64  
Самара (846)206-03-16  
Санкт-Петербург (812)309-46-40  
Саратов (845)249-38-78

Смоленск (4812)29-41-54  
Сочи (862)225-72-31  
Ставрополь (8652)20-65-13  
Тверь (4822)63-31-35  
Томск (3822)98-41-53  
Тула (4872)74-02-29  
Тюмень (3452)66-21-18  
Ульяновск (8422)24-23-59  
Уфа (347)229-48-12  
Челябинск (351)202-03-61  
Череповец (8202)49-02-64  
Ярославль (4852)69-52-93